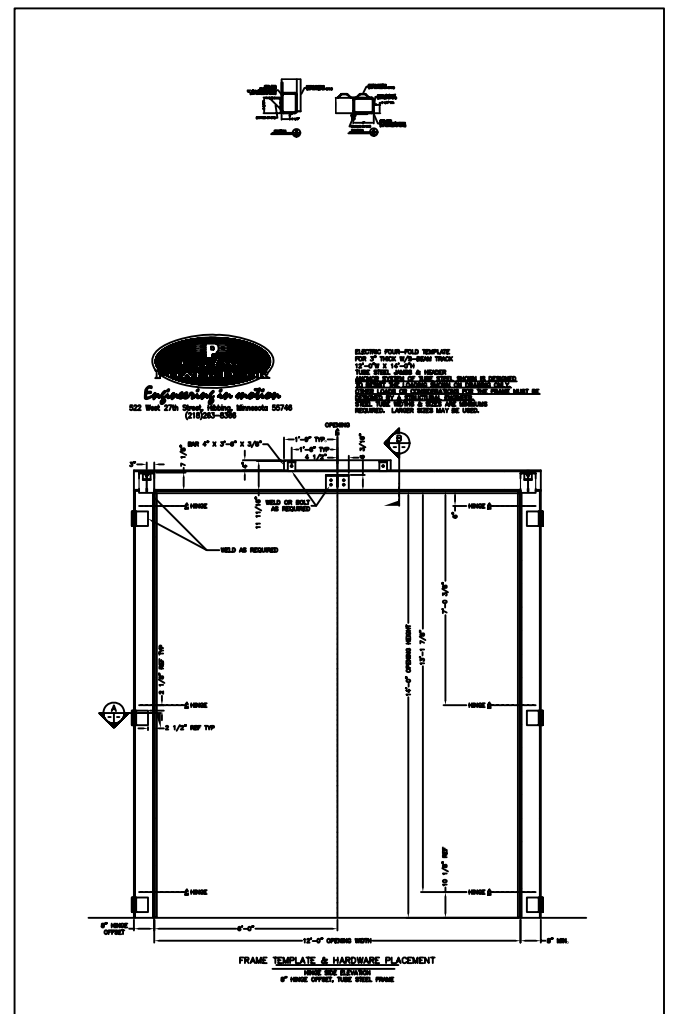
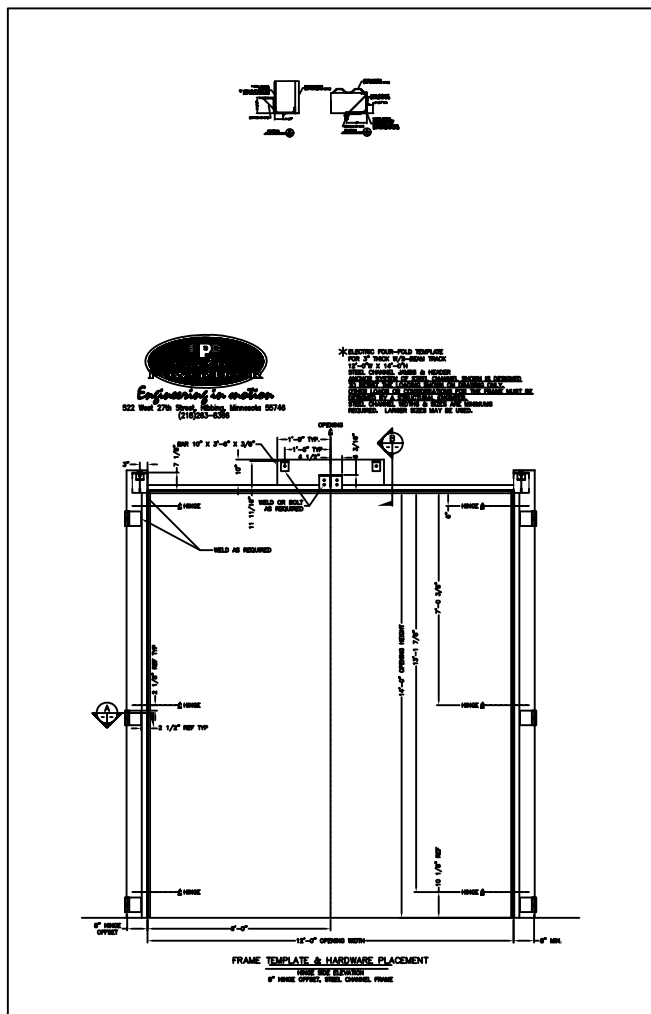
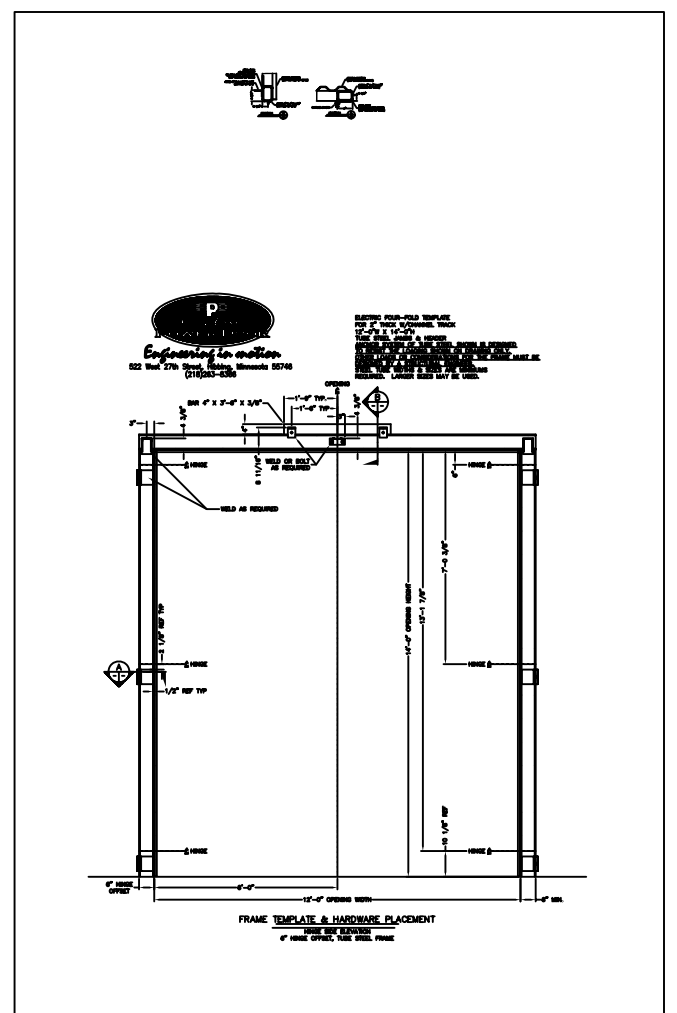
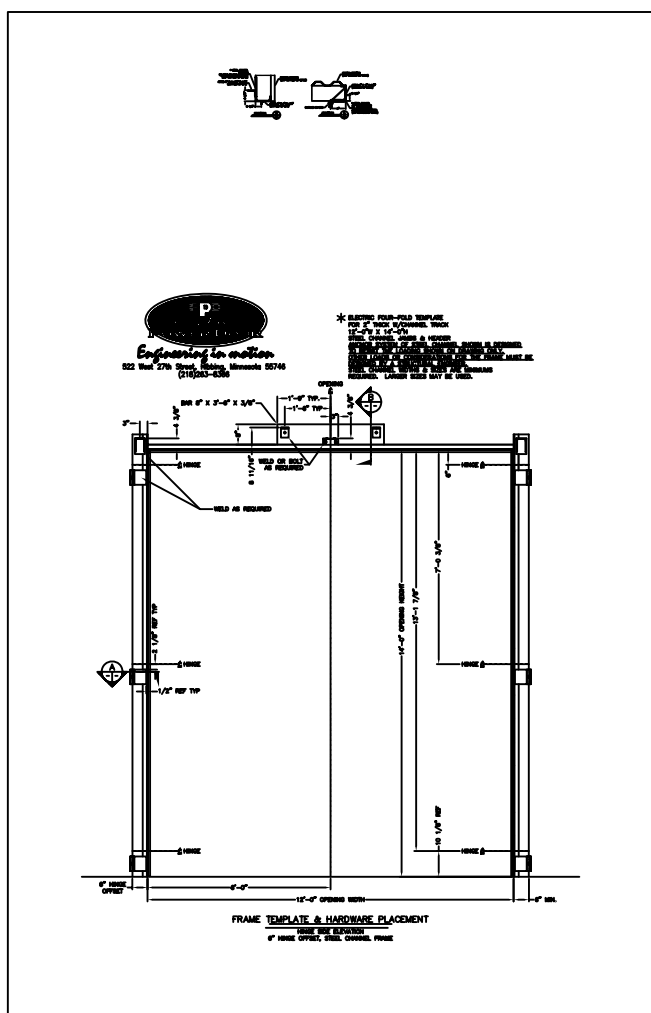


ELECTRIC FOUR-FOLD TEMPLATES
FOR 3" THICK DOOR PANELS
& S-BEAM GUIDE TRACK

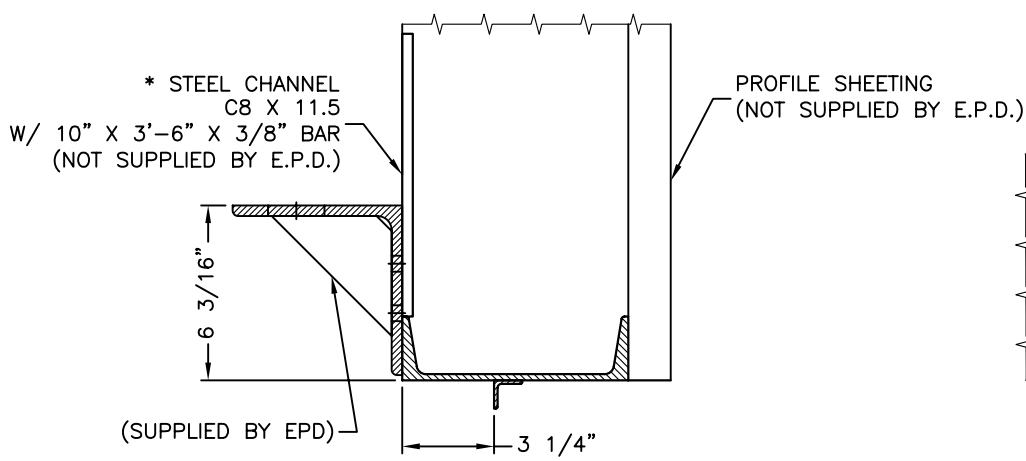
3" THICK
PANELS



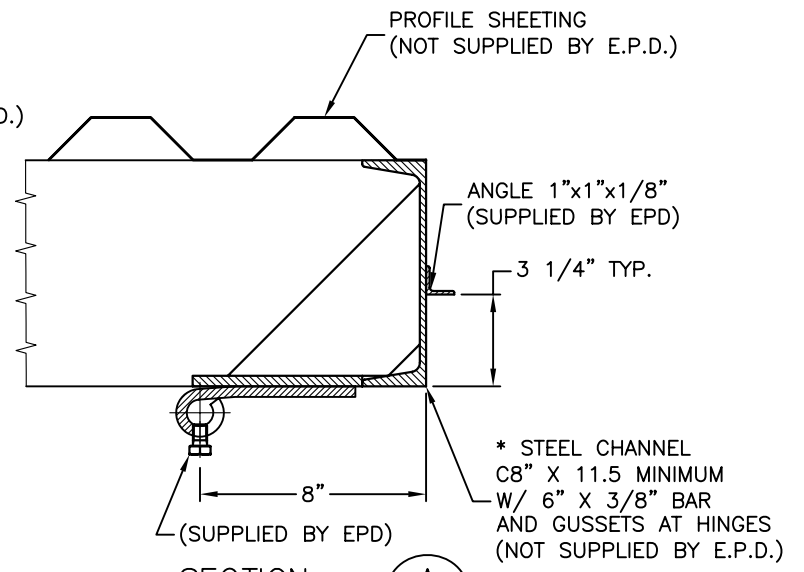
2" THICK
PANELS



ELECTRIC FOUR-FOLD TEMPLATES
FOR 2" THICK DOOR PANELS
& CHANNEL STYLE GUIDE TRACK



SECTION B



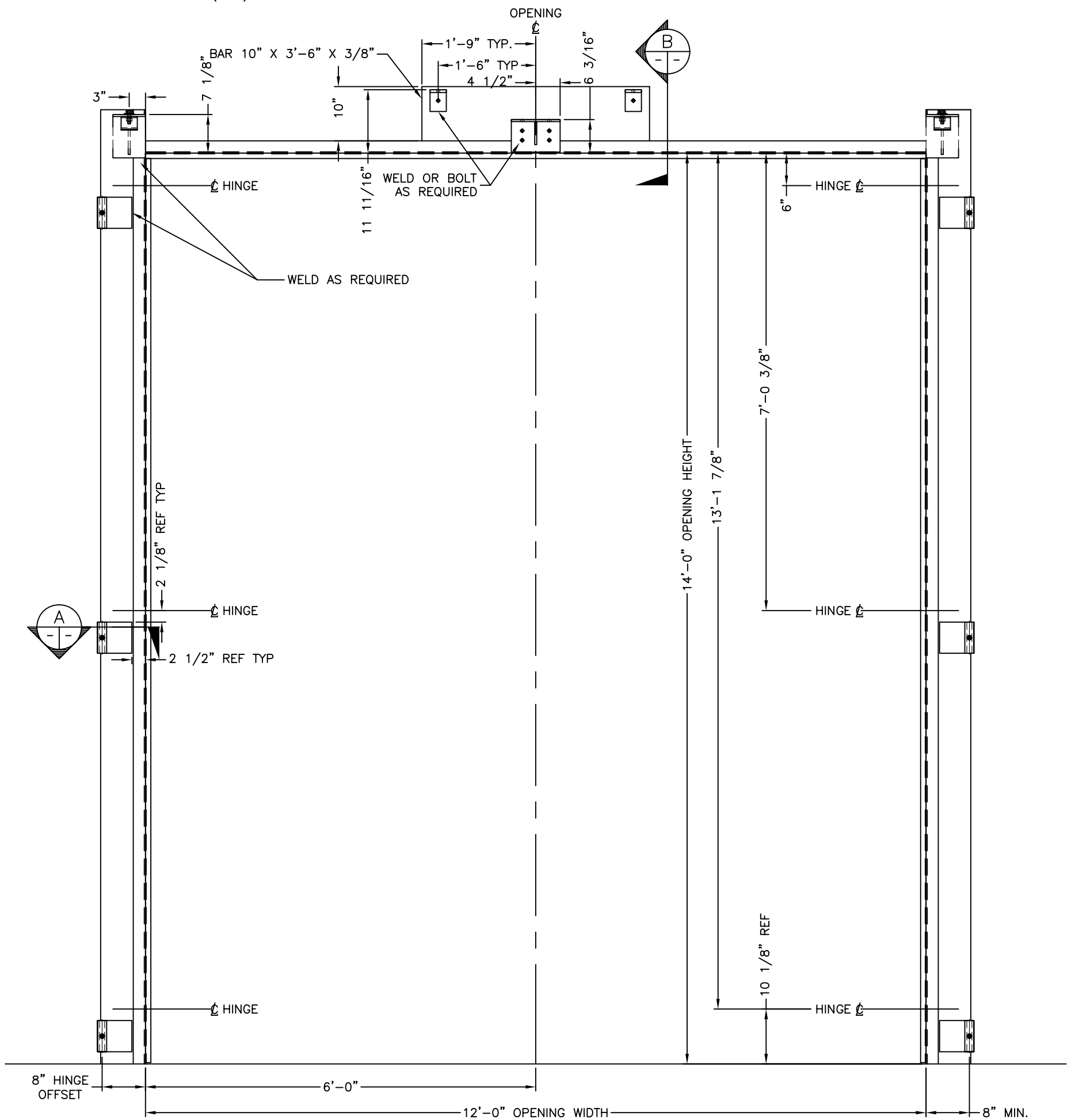
SECTION A



Engineering in motion

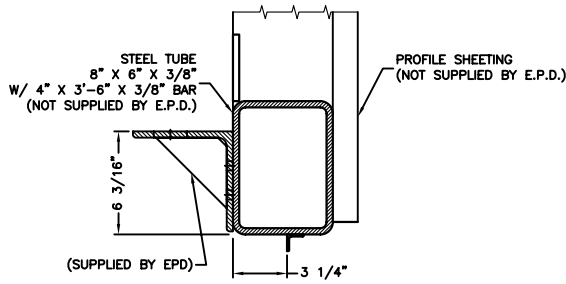
522 West 27th Street, Hibbing, Minnesota 55746
(218)263-8366

* ELECTRIC FOUR-FOLD TEMPLATE FOR 3" THICK W/S-BEAM TRACK
12'-0"W X 14'-0"H
STEEL CHANNEL JAMBS & HEADER
ANCHOR SYSTEM OF STEEL CHANNEL SHOWN IS DESIGNED TO RESIST THE LOADING SHOWN ON DRAWING ONLY. OTHER LOADS OR CONSIDERATIONS FOR THE FRAME MUST BE DESIGNED BY A STRUCTURAL ENGINEER.
STEEL CHANNEL WIDTHS & SIZES ARE MINIMUMS REQUIRED. LARGER SIZES MAY BE USED.

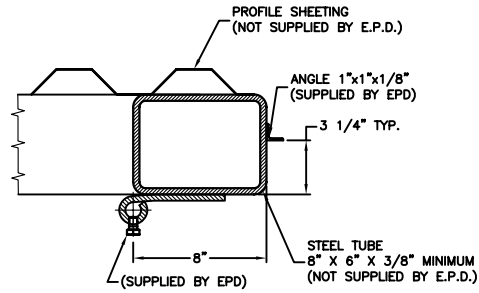


FRAME TEMPLATE & HARDWARE PLACEMENT

HINGE SIDE ELEVATION
8" HINGE OFFSET, STEEL CHANNEL FRAME



SECTION B



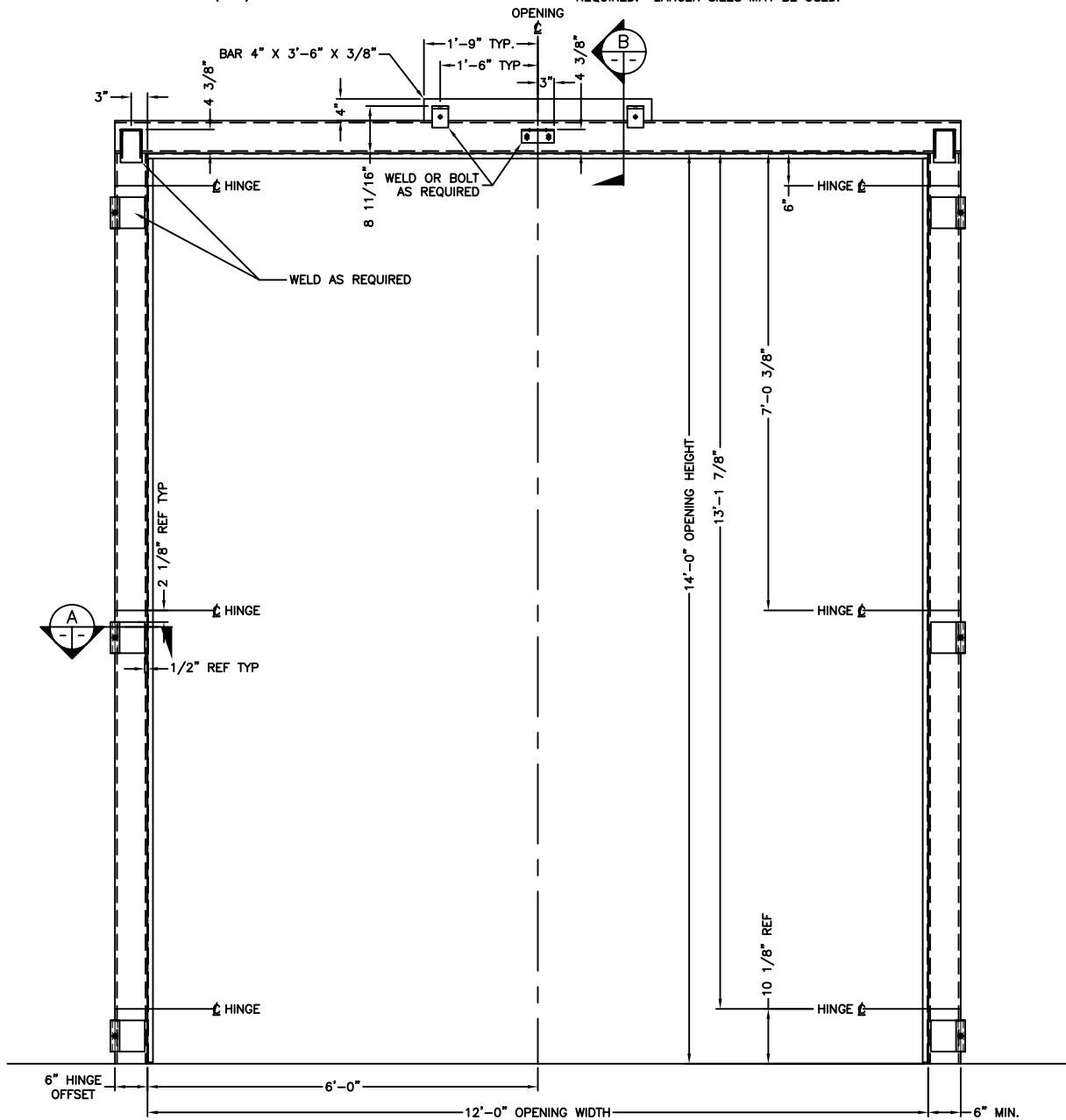
SECTION A



Engineering in motion

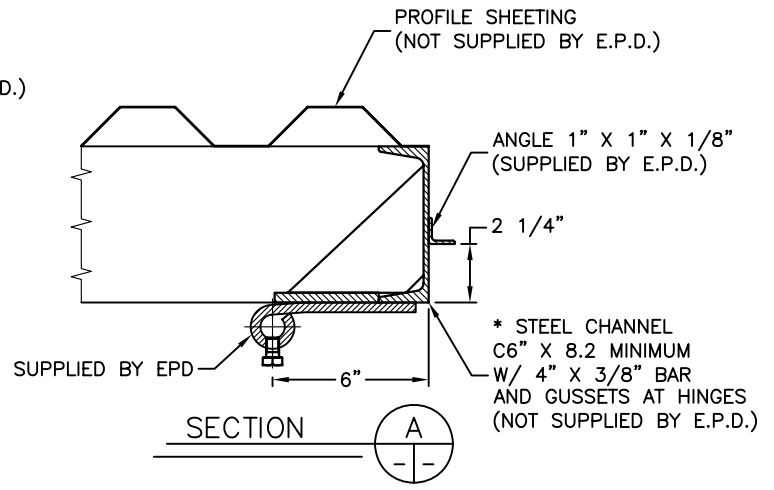
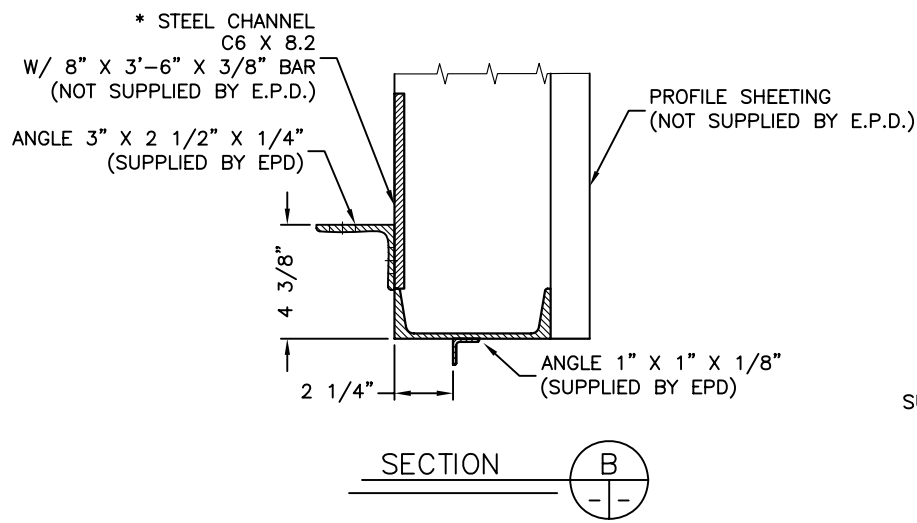
522 West 27th Street, Hibbing, Minnesota 55746
(218)263-8366

ELECTRIC FOUR-FOLD TEMPLATE
FOR 2" THICK W/CANNEL TRACK
12'-0"W X 14'-0"H
TUBE STEEL JAMBS & HEADER
ANCHOR SYSTEM OF TUBE STEEL SHOWN IS DESIGNED
TO RESIST THE LOADING SHOWN ON DRAWING ONLY.
OTHER LOADS OR CONSIDERATIONS FOR THE FRAME MUST BE
DESIGNED BY A STRUCTURAL ENGINEER.
STEEL TUBE WIDTHS & SIZES ARE MINIMUMS
REQUIRED. LARGER SIZES MAY BE USED.



FRAME TEMPLATE & HARDWARE PLACEMENT

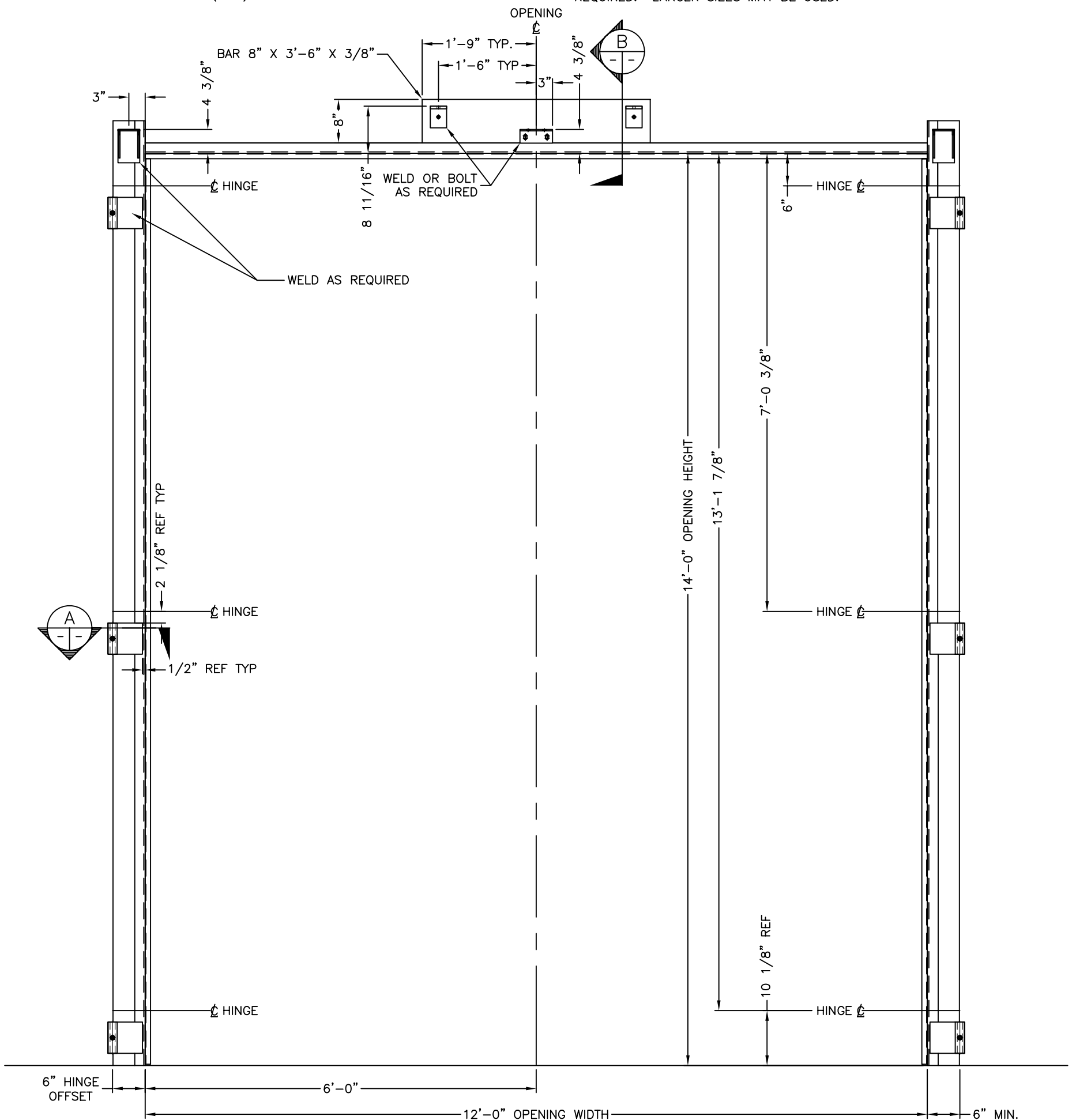
HINGE SIDE ELEVATION
6" HINGE OFFSET, TUBE STEEL FRAME



Engineering in motion

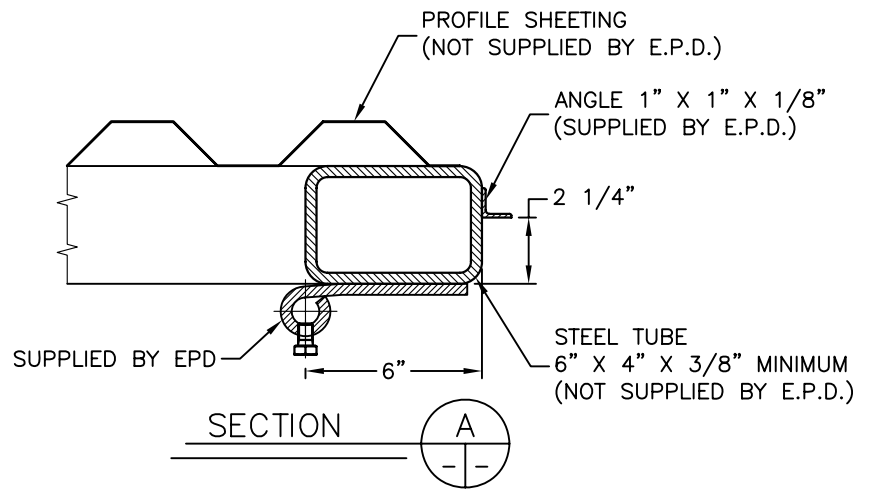
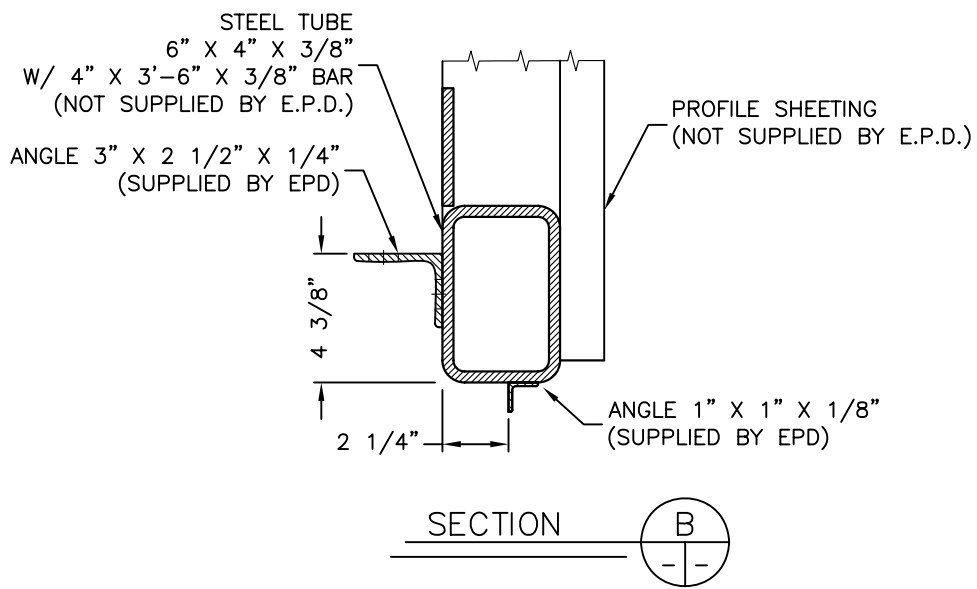
522 West 27th Street, Hibbing, Minnesota 55746
(218)263-8366

* ELECTRIC FOUR-FOLD TEMPLATE
FOR 2" THICK W/CHANNEL TRACK
12'-0"W X 14'-0"H
STEEL CHANNEL JAMBS & HEADER
ANCHOR SYSTEM OF STEEL CHANNEL SHOWN IS DESIGNED
TO RESIST THE LOADING SHOWN ON DRAWING ONLY.
OTHER LOADS OR CONSIDERATIONS FOR THE FRAME MUST BE
DESIGNED BY A STRUCTURAL ENGINEER.
STEEL CHANNEL WIDTHS & SIZES ARE MINIMUMS
REQUIRED. LARGER SIZES MAY BE USED.



FRAME TEMPLATE & HARDWARE PLACEMENT

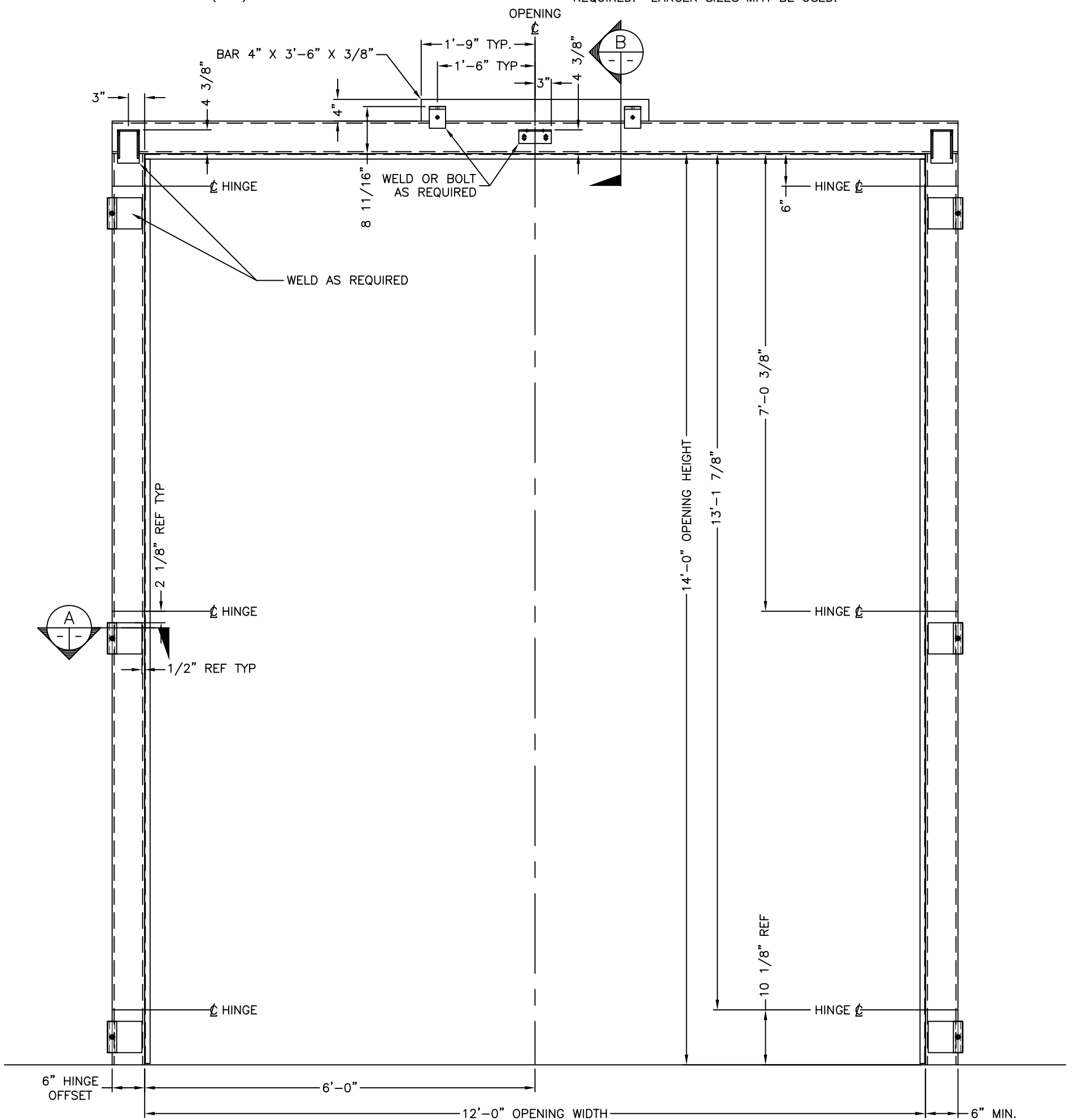
HINGE SIDE ELEVATION
6" HINGE OFFSET, STEEL CHANNEL FRAME



Engineering in motion

522 West 27th Street, Hibbing, Minnesota 55746
(218)263-8366

ELECTRIC FOUR-FOLD TEMPLATE
FOR 2" THICK W/CHANNEL TRACK
12'-0"W X 14'-0"H
TUBE STEEL JAMBS & HEADER
ANCHOR SYSTEM OF TUBE STEEL SHOWN IS DESIGNED
TO RESIST THE LOADING SHOWN ON DRAWING ONLY.
OTHER LOADS OR CONSIDERATIONS FOR THE FRAME MUST BE
DESIGNED BY A STRUCTURAL ENGINEER.
STEEL TUBE WIDTHS & SIZES ARE MINIMUMS
REQUIRED. LARGER SIZES MAY BE USED.



FRAME TEMPLATE & HARDWARE PLACEMENT

HINGE SIDE ELEVATION
6" HINGE OFFSET, TUBE STEEL FRAME