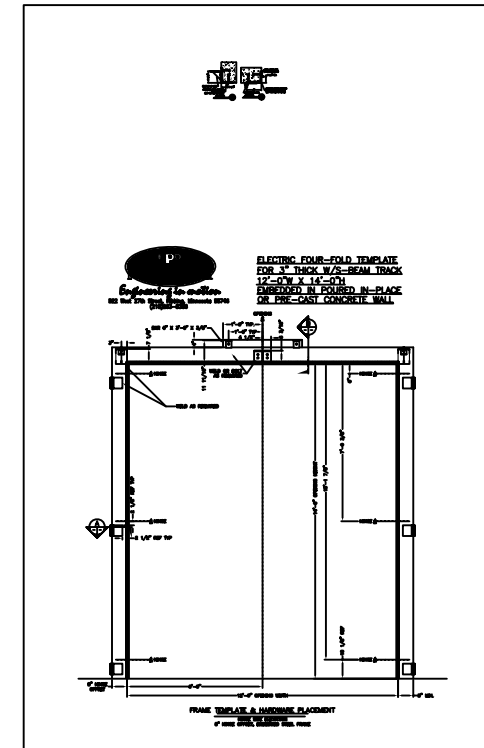


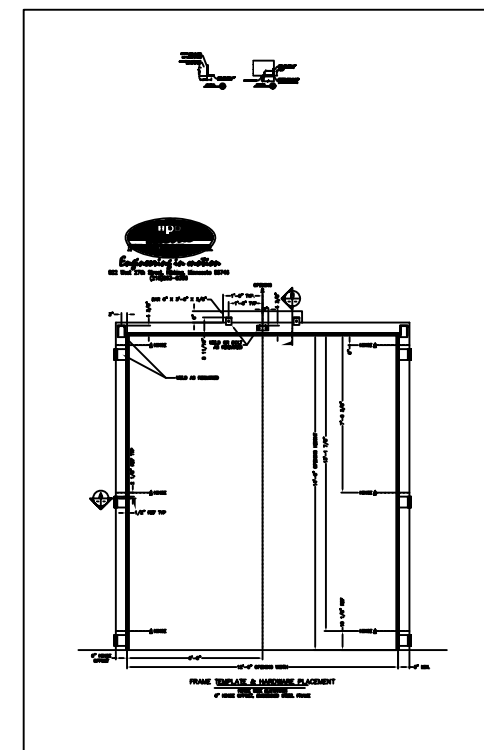
POURED CONCRETE WALLS WITH EMBEDS

3" THICK PANELS

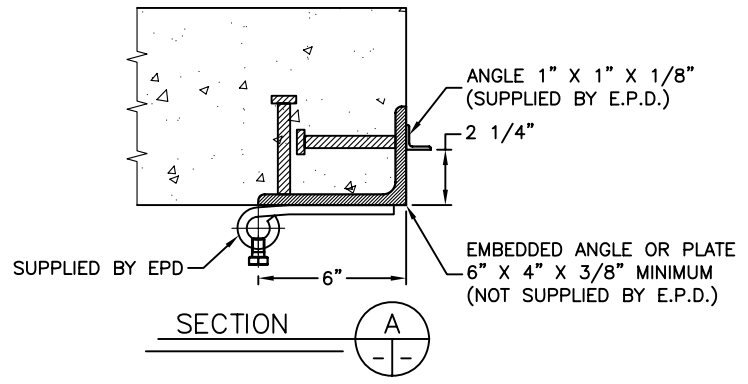
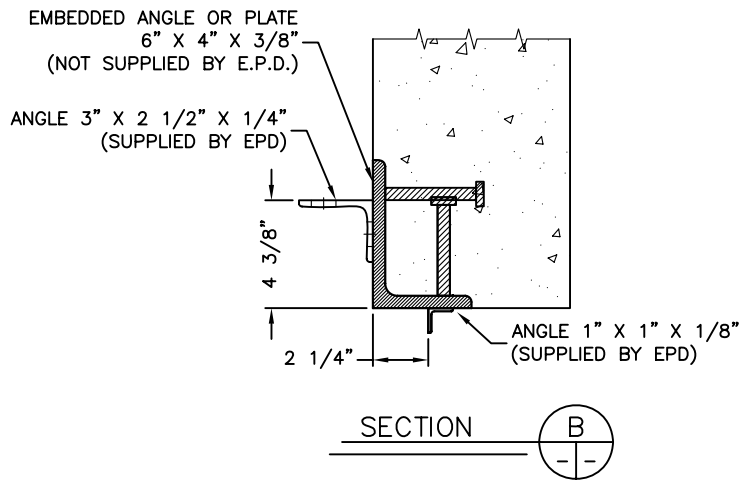
ELECTRIC FOUR-FOLD TEMPLATES
FOR 3" THICK DOOR PANELS
& S-BEAM GUIDE TRACK



2" THICK PANELS



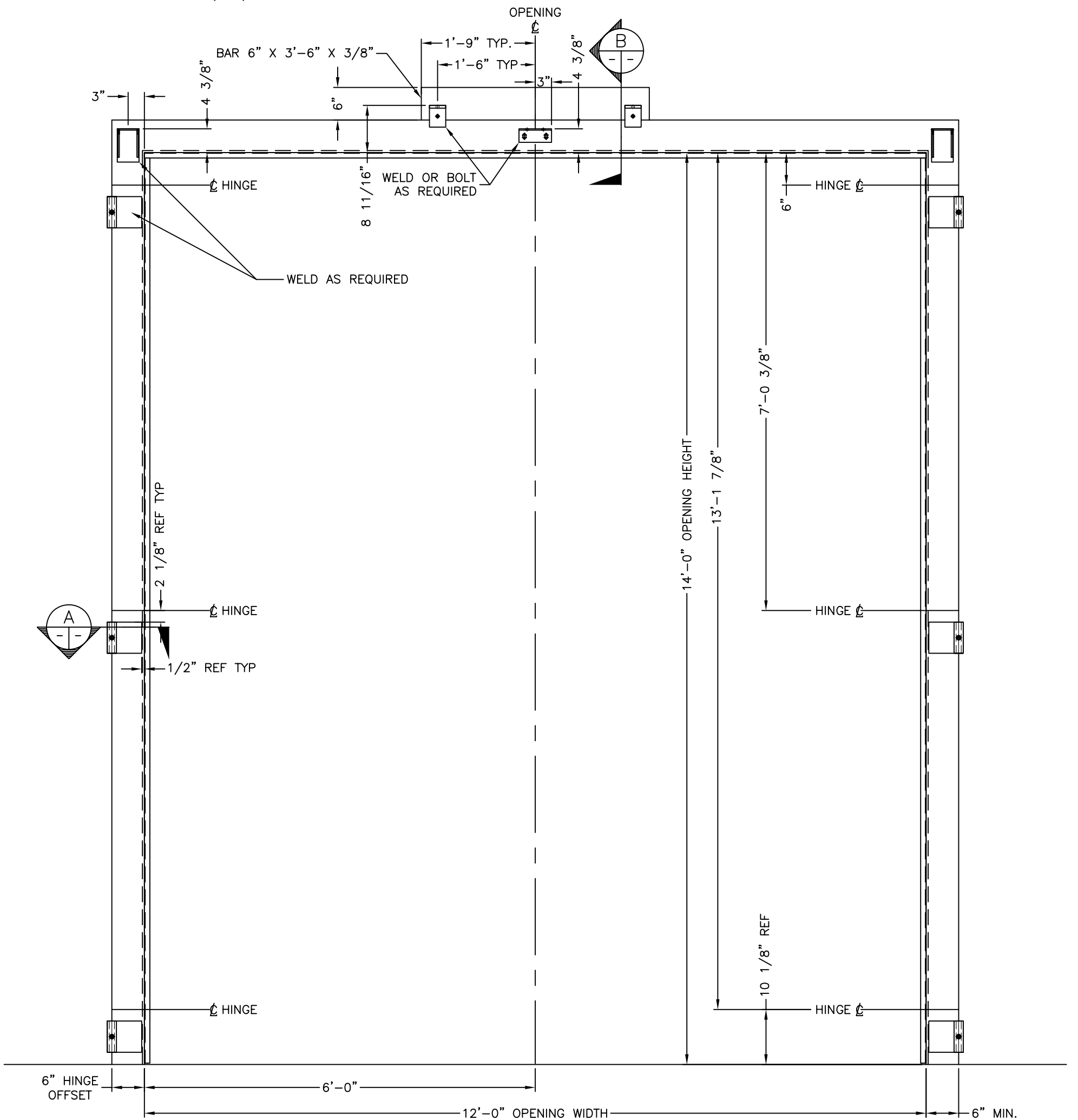
ELECTRIC FOUR-FOLD TEMPLATES
FOR 2" THICK DOOR PANELS
& CHANNEL STYLE GUIDE TRACK



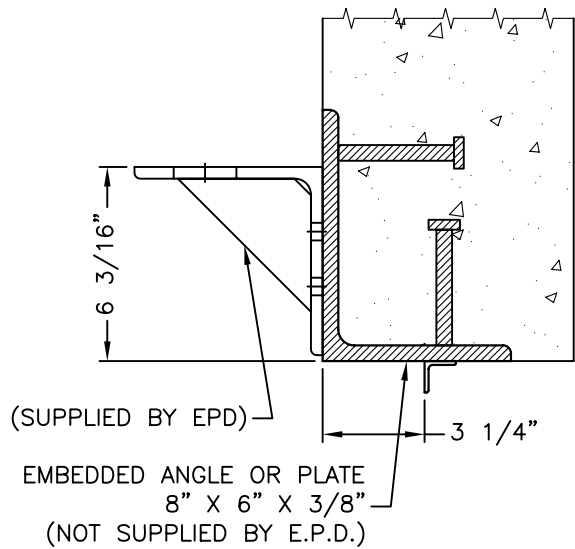
Engineering in motion

522 West 27th Street, Hibbing, Minnesota 55746
(218)263-8366

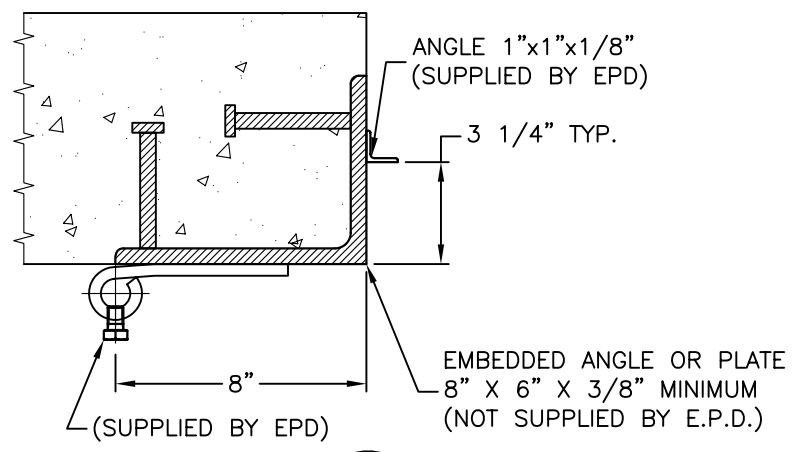
ELECTRIC FOUR-FOLD TEMPLATE
FOR 2" THICK W/CHANNEL TRACK
12'-0"W X 14'-0"H
EMBEDDED IN POURED IN-PLACE
OR PRE-CAST CONCRETE WALL



FRAME TEMPLATE & HARDWARE PLACEMENT



SECTION B



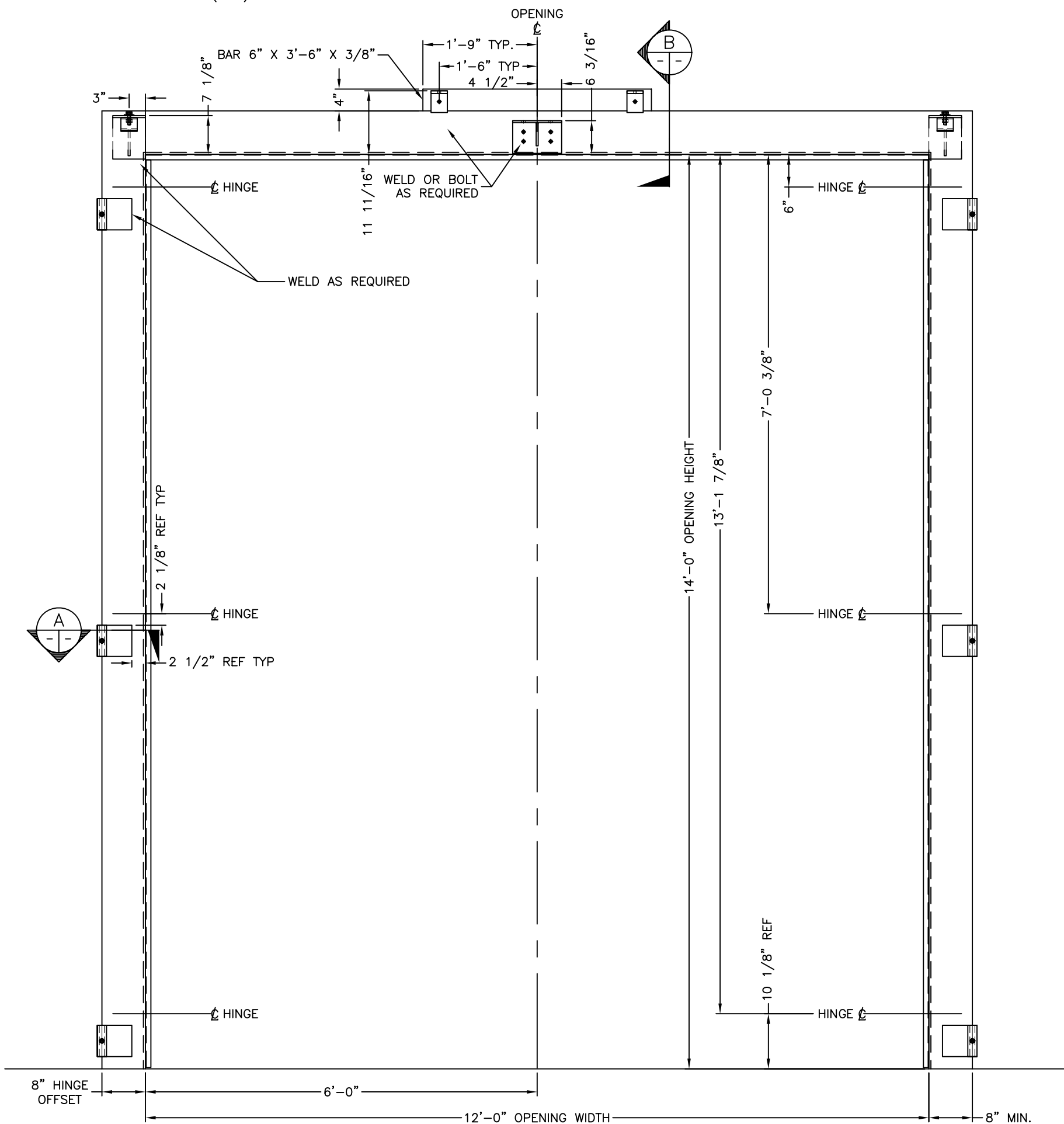
SECTION A



Engineering in motion

522 West 27th Street, Hibbing, Minnesota 55746
(218)263-8366

ELECTRIC FOUR-FOLD TEMPLATE
FOR 3" THICK W/S-BEAM TRACK
12'-0"W X 14'-0"H
EMBEDDED IN POURED IN-PLACE
OR PRE-CAST CONCRETE WALL



FRAME TEMPLATE & HARDWARE PLACEMENT

HINGE SIDE ELEVATION
8" HINGE OFFSET, EMBEDDED STEEL FRAME