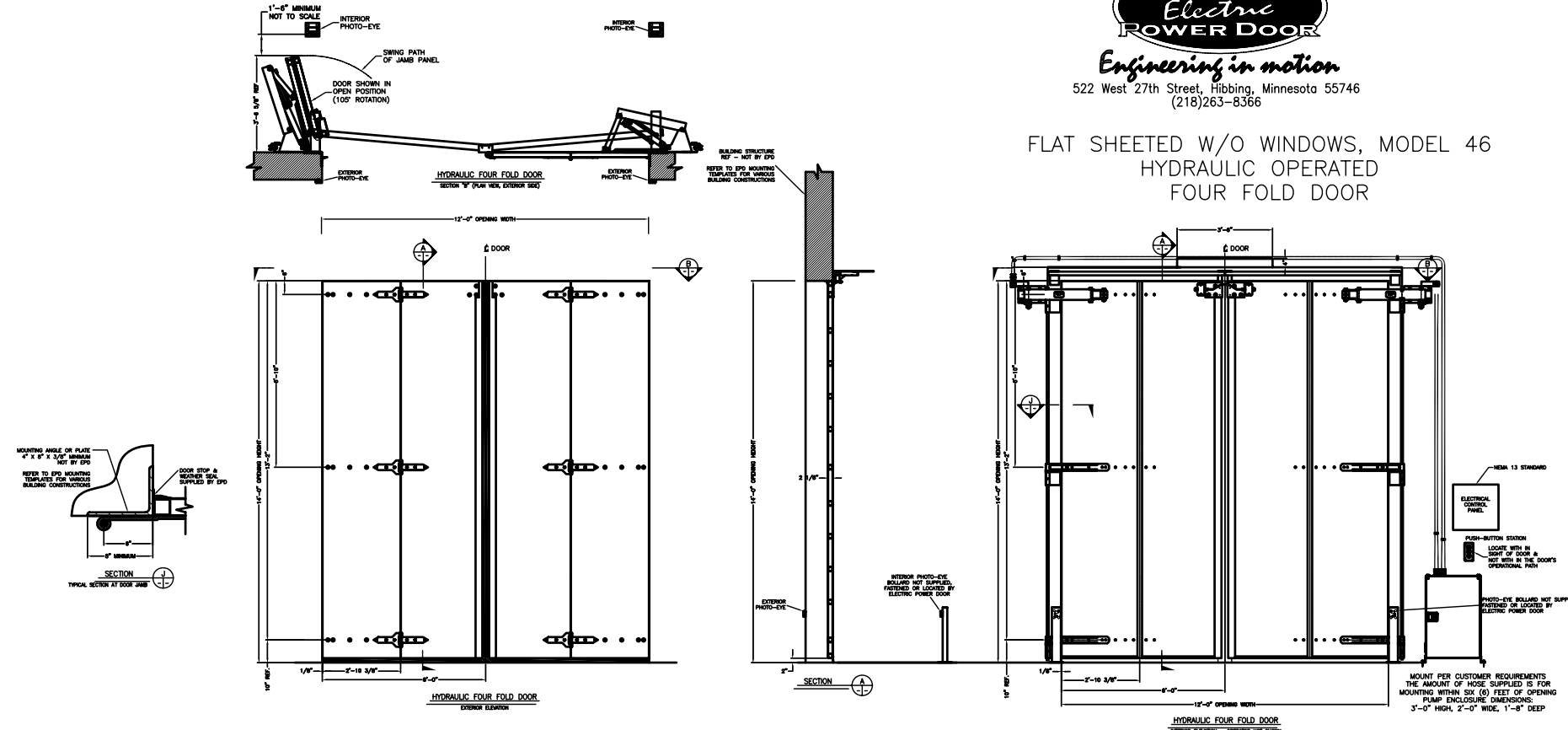




Engineering in motion

522 West 27th Street, Hibbing, Minnesota 55746  
(218)263-8366

FLAT SHEETED W/O WINDOWS, MODEL 46  
HYDRAULIC OPERATED  
FOUR FOLD DOOR

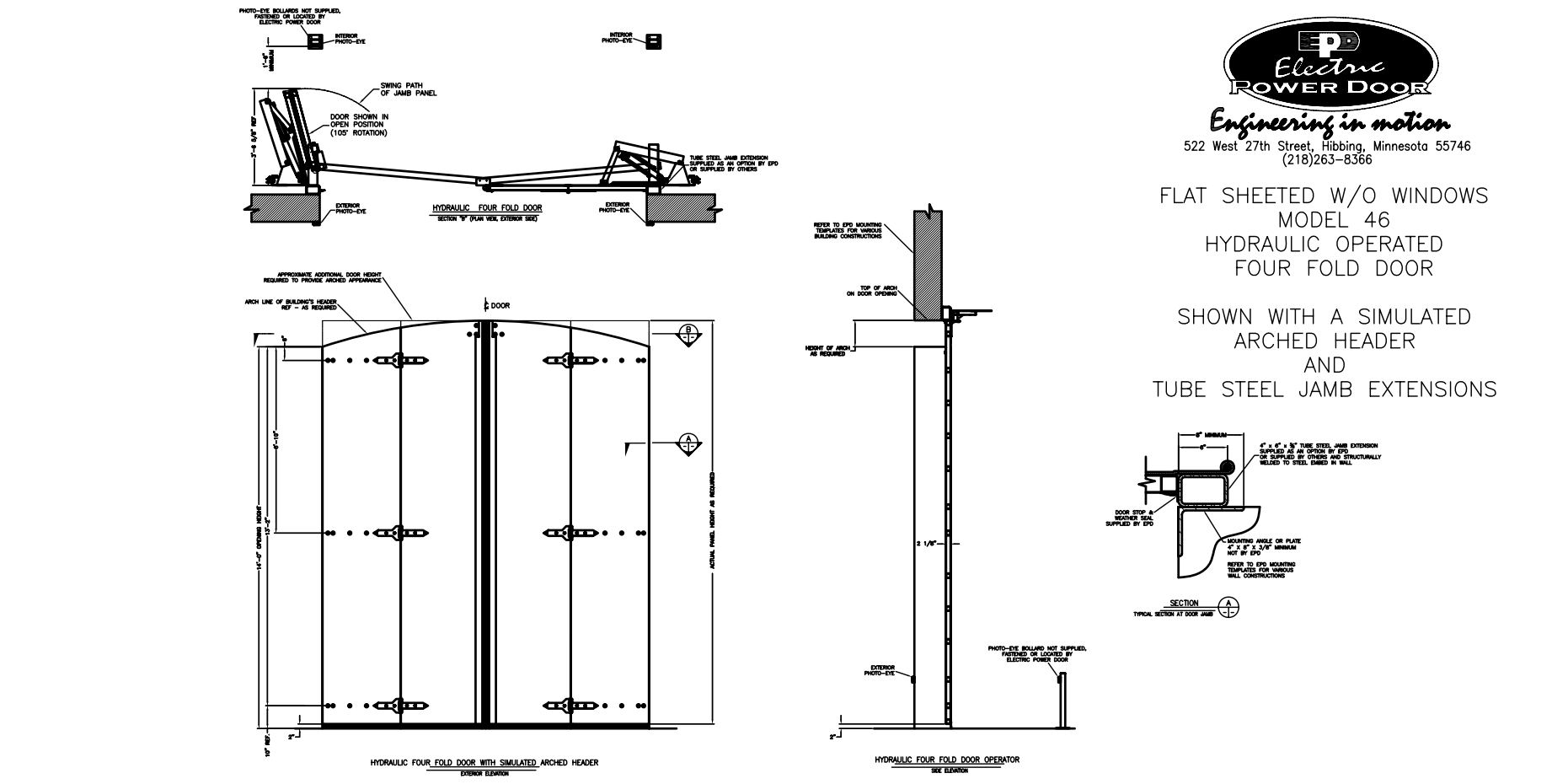


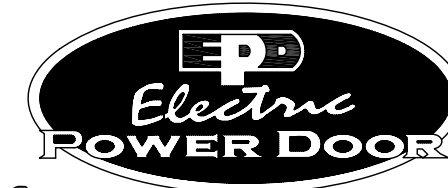
Engineering in motion

522 West 27th Street, Hibbing, Minnesota 55746  
(218)263-8366

FLAT SHEETED W/O WINDOWS  
MODEL 46  
HYDRAULIC OPERATED  
FOUR FOLD DOOR

SHOWN WITH A SIMULATED  
ARCHED HEADER  
AND  
TUBE STEEL JAMB EXTENSIONS

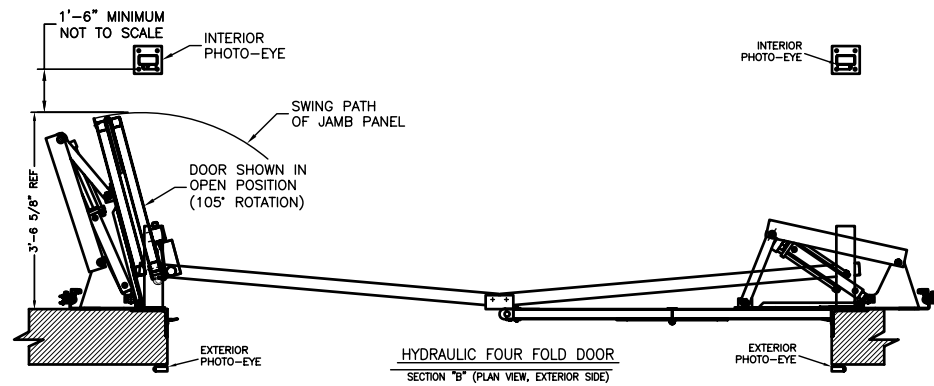




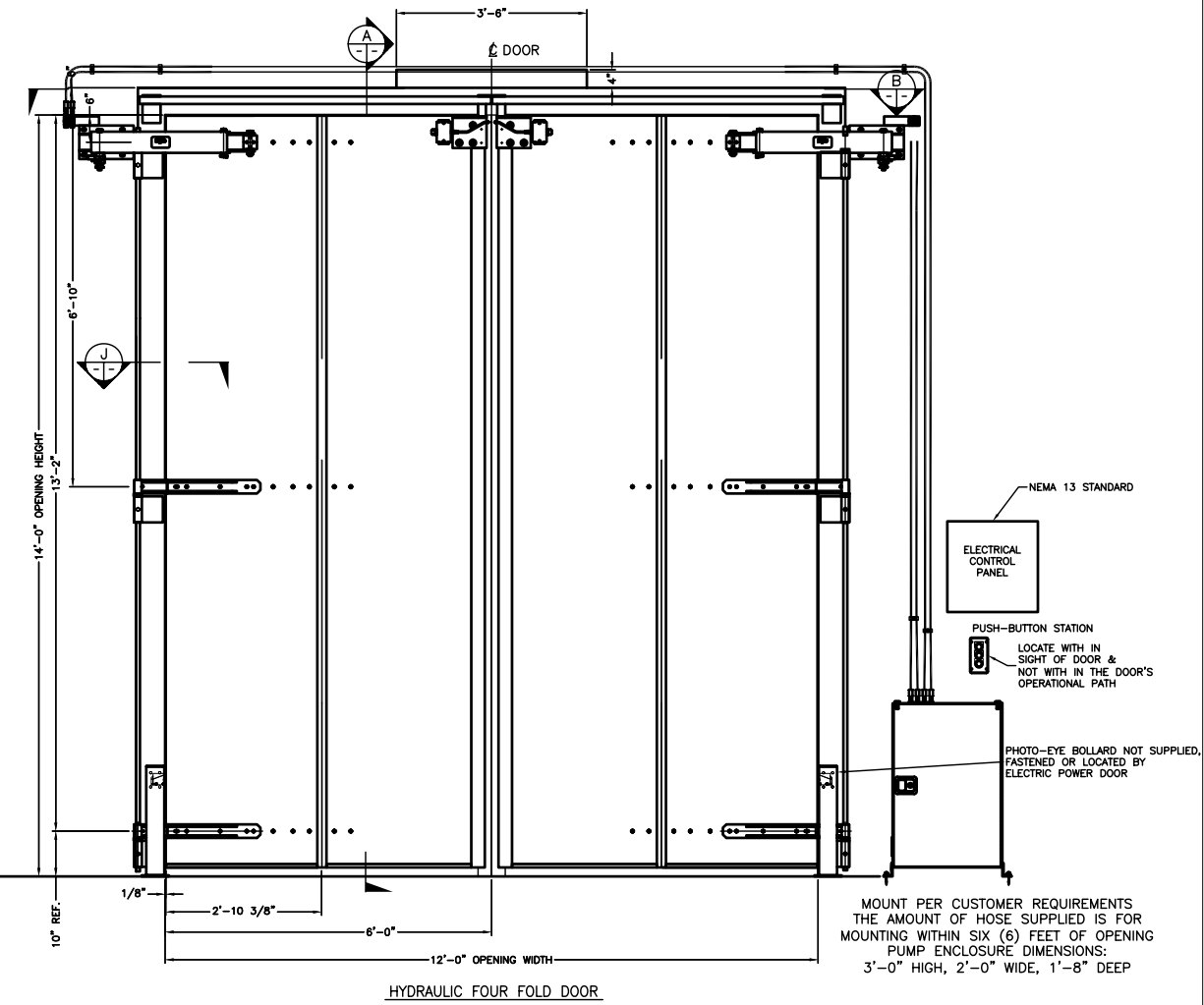
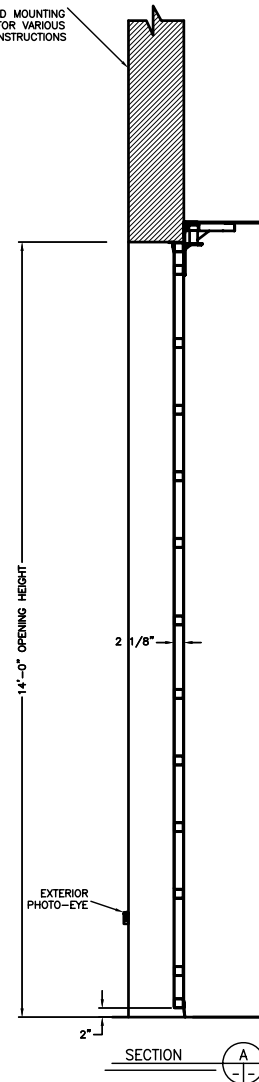
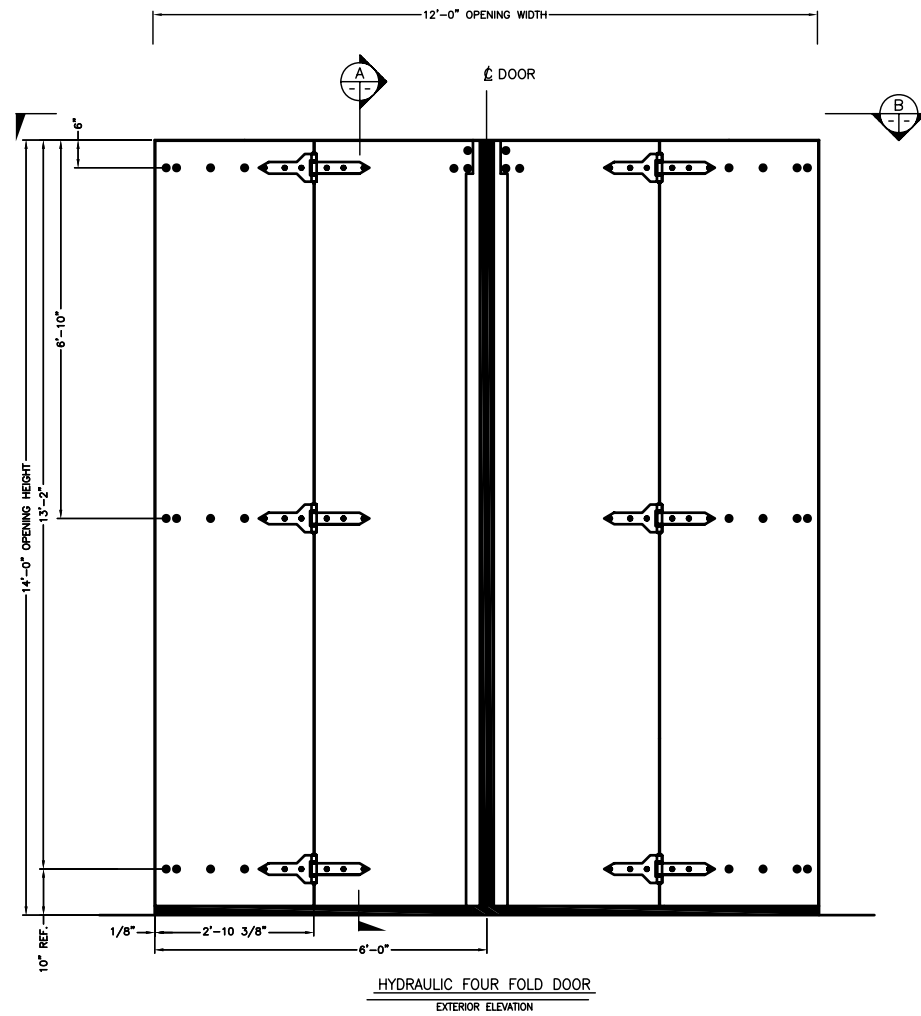
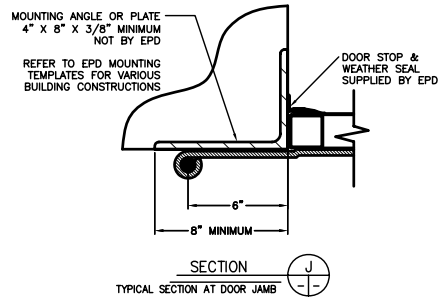
*Engineering in motion*

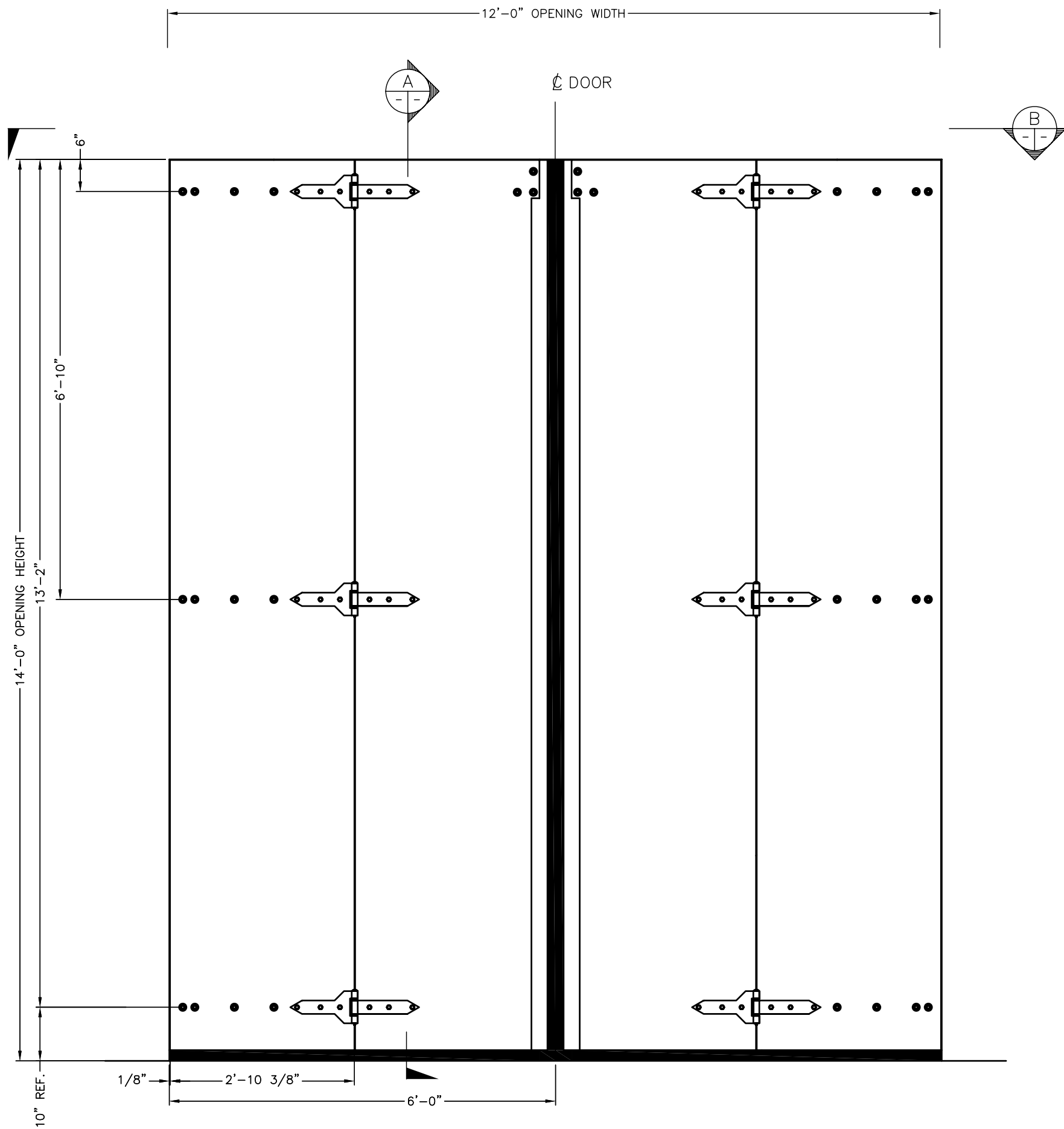
522 West 27th Street, Hibbing, Minnesota 55746  
(218)263-8366

FLAT SHEETED W/O WINDOWS, MODEL 46  
HYDRAULIC OPERATED  
FOUR FOLD DOOR

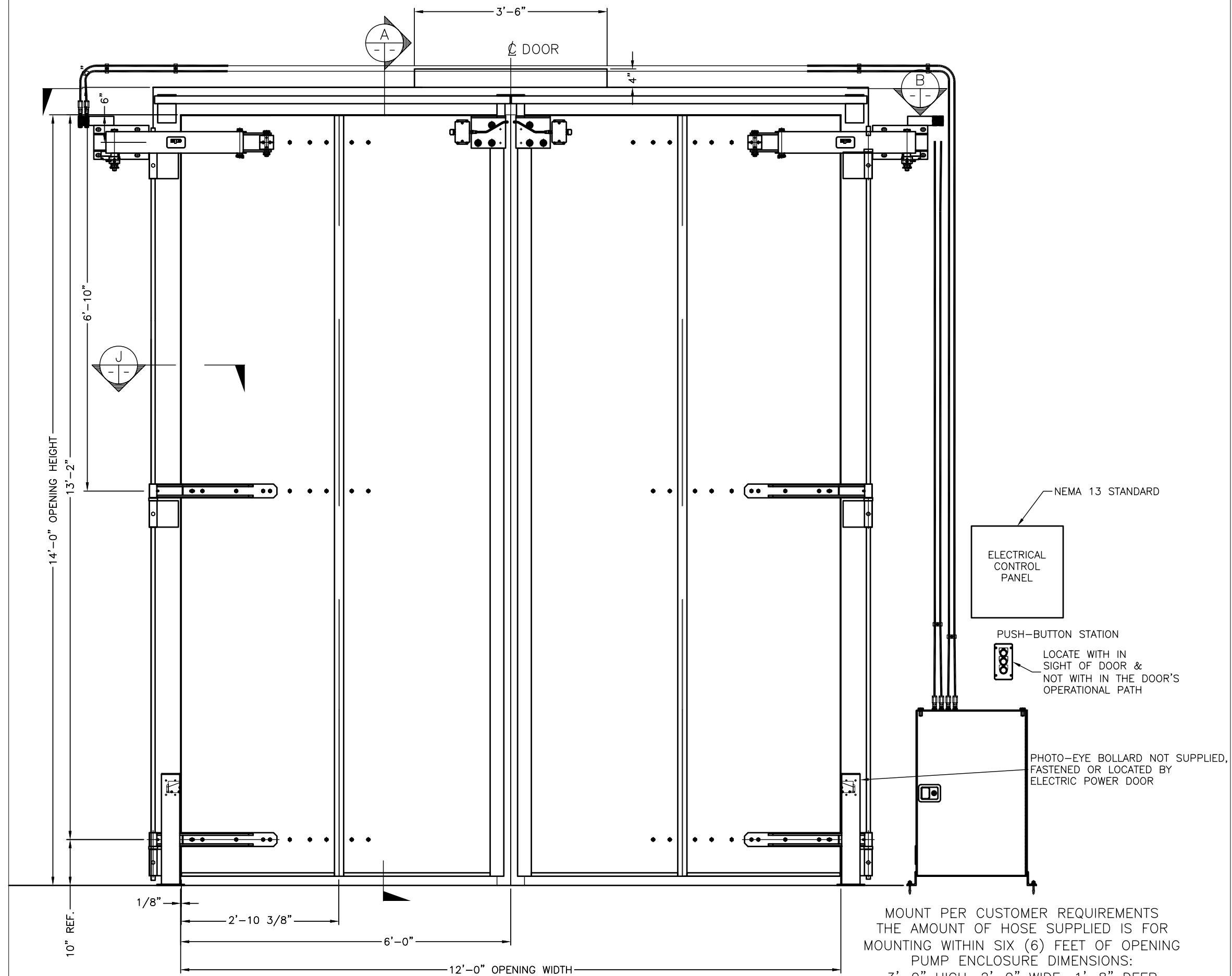


BUILDING STRUCTURE REF - NOT BY EPD  
REFER TO EPD MOUNTING TEMPLATES FOR VARIOUS BUILDING CONSTRUCTIONS

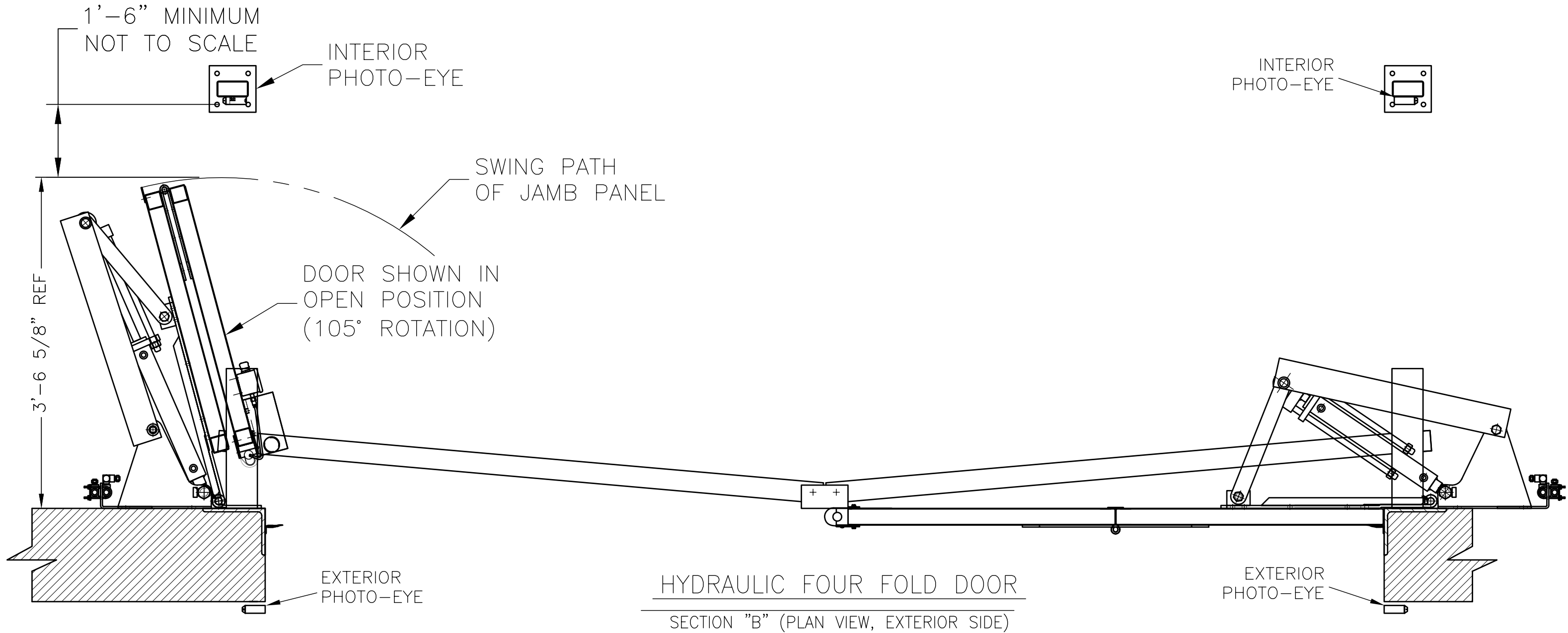




HYDRAULIC FOUR FOLD DOOR  
EXTERIOR ELEVATION

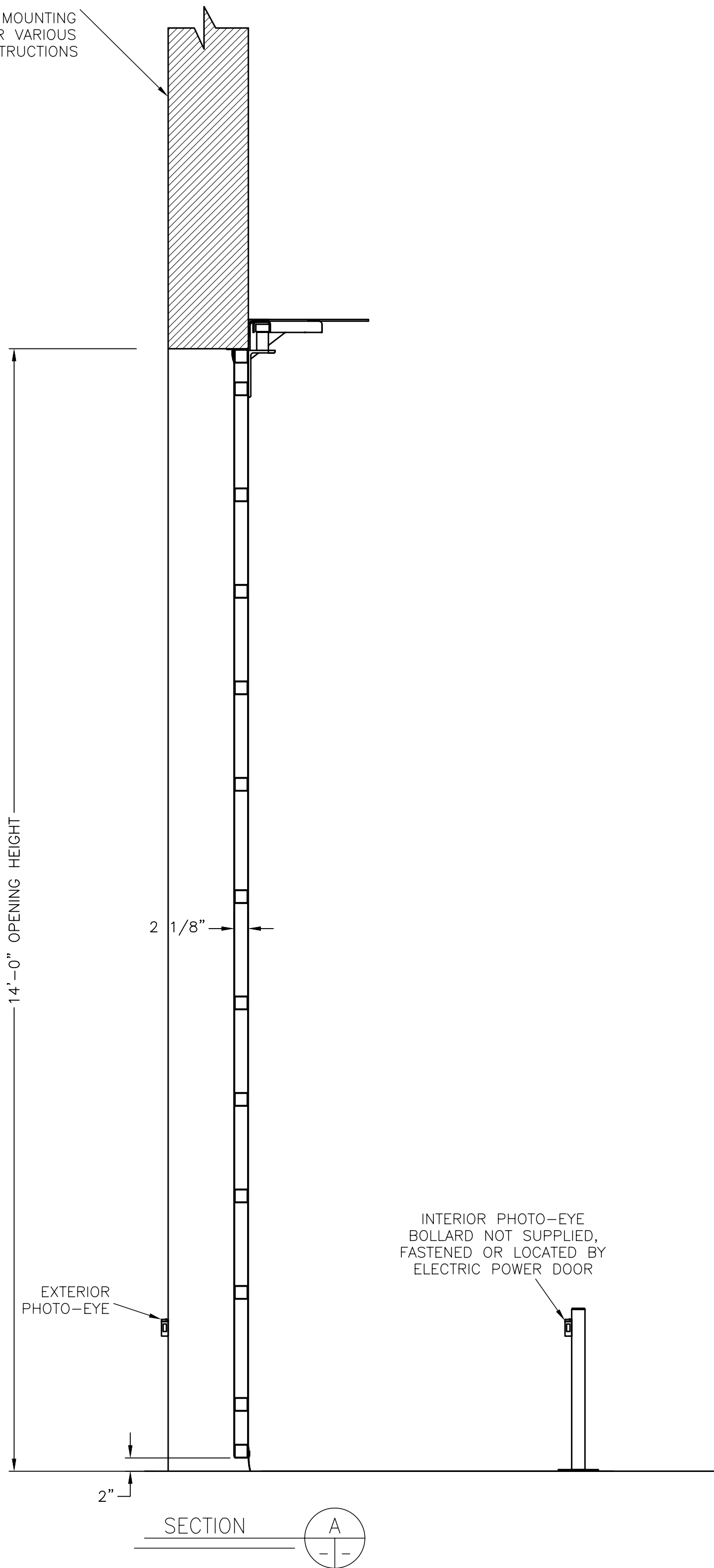


HYDRAULIC FOUR FOLD DOOR  
 INTERIOR ELEVATION - OPERATOR NOT SHOWN



BUILDING STRUCTURE  
REF - NOT BY EPD

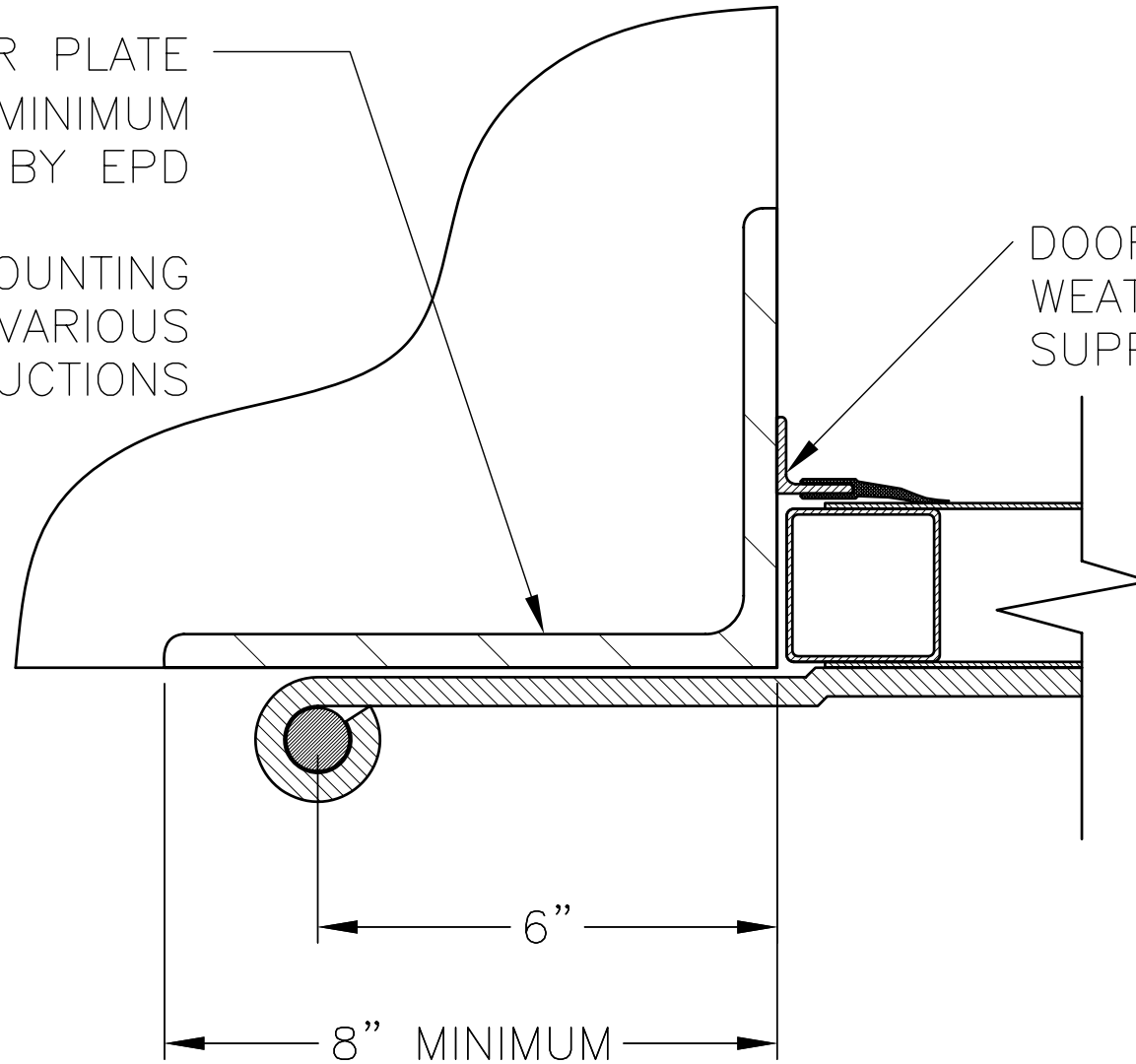
REFER TO EPD MOUNTING  
TEMPLATES FOR VARIOUS  
BUILDING CONSTRUCTIONS



MOUNTING ANGLE OR PLATE  
4" X 8" X 3/8" MINIMUM  
NOT BY EPD

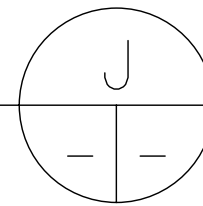
REFER TO EPD MOUNTING  
TEMPLATES FOR VARIOUS  
BUILDING CONSTRUCTIONS

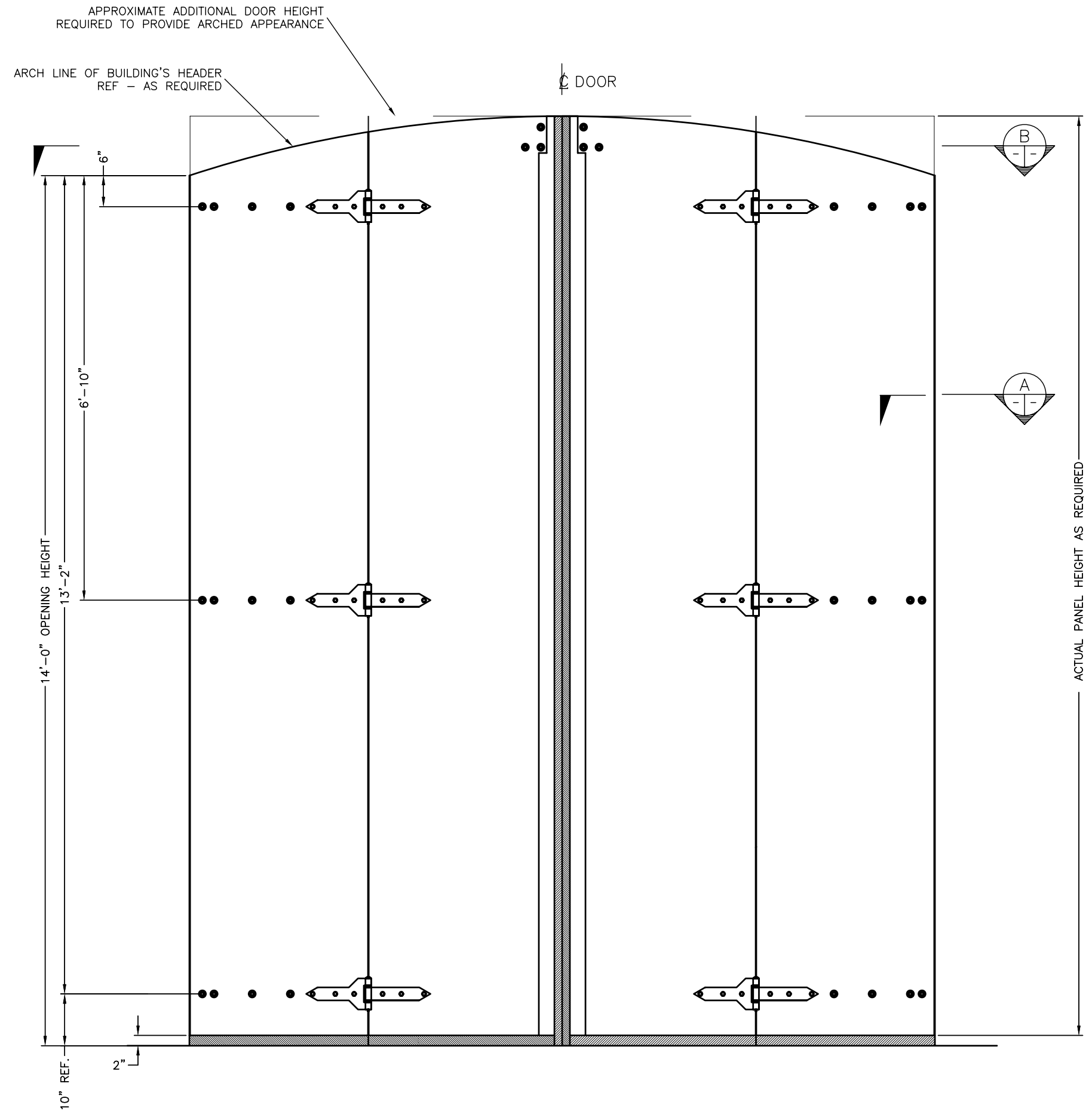
DOOR STOP &  
WEATHER SEAL  
SUPPLIED BY EPD



SECTION

TYPICAL SECTION AT DOOR JAMB

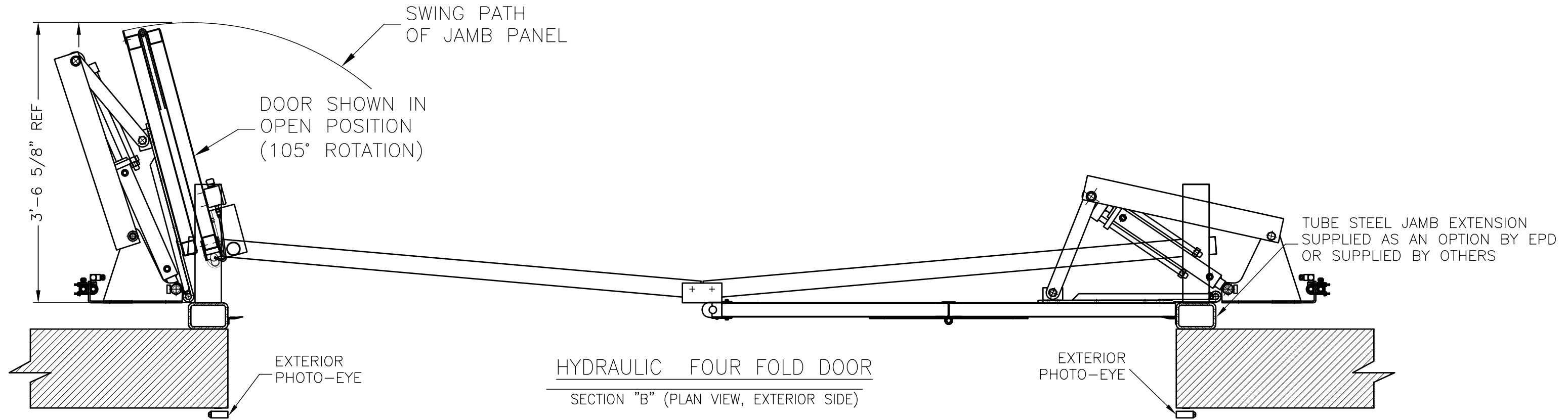
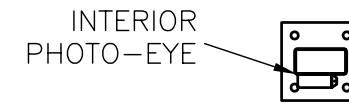
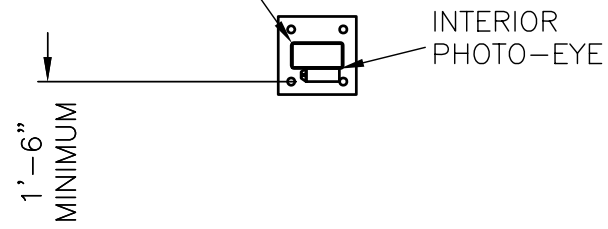


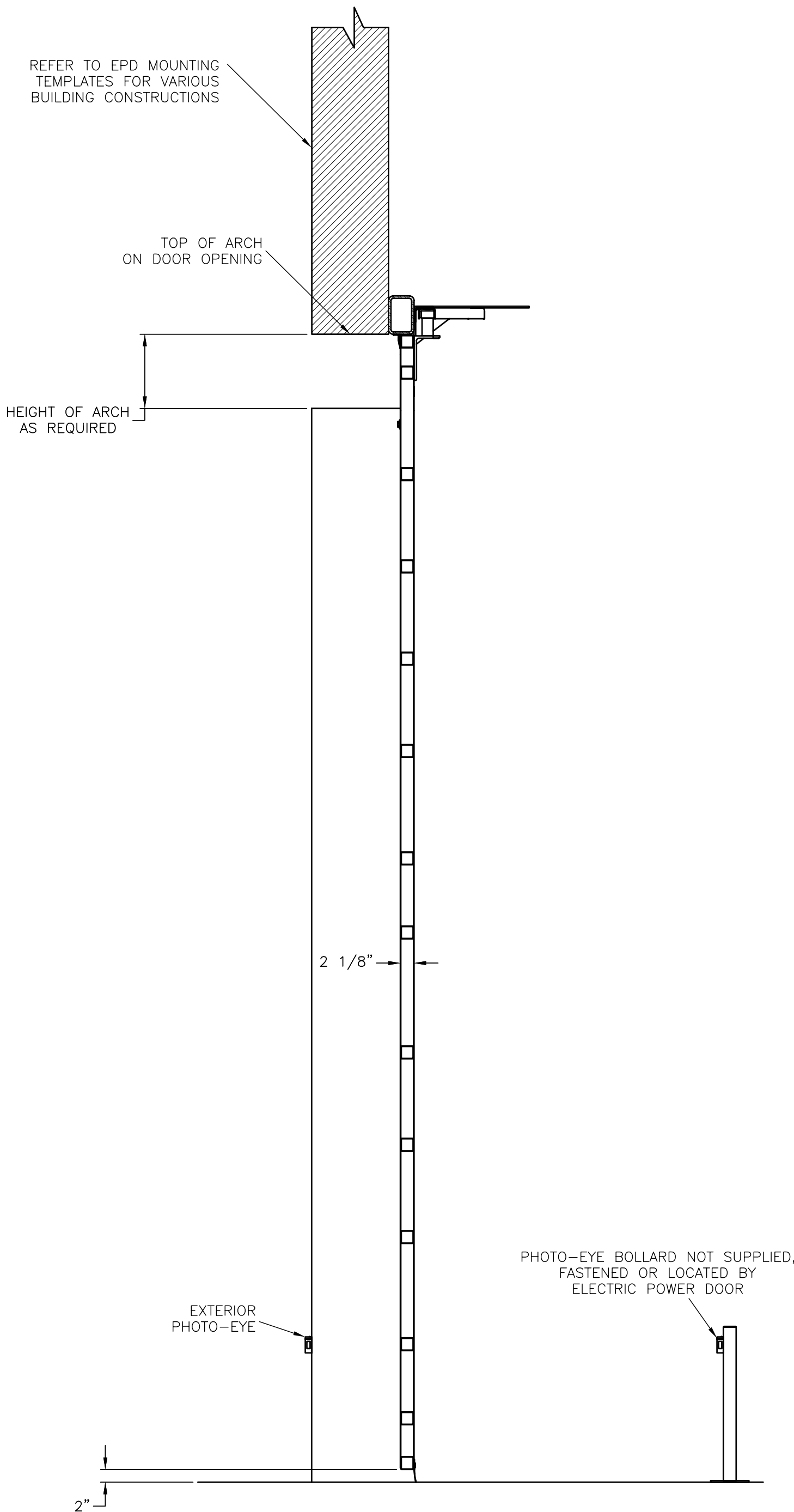


HYDRAULIC FOUR FOLD DOOR WITH SIMULATED ARCHED HEADER  
 EXTERIOR ELEVATION

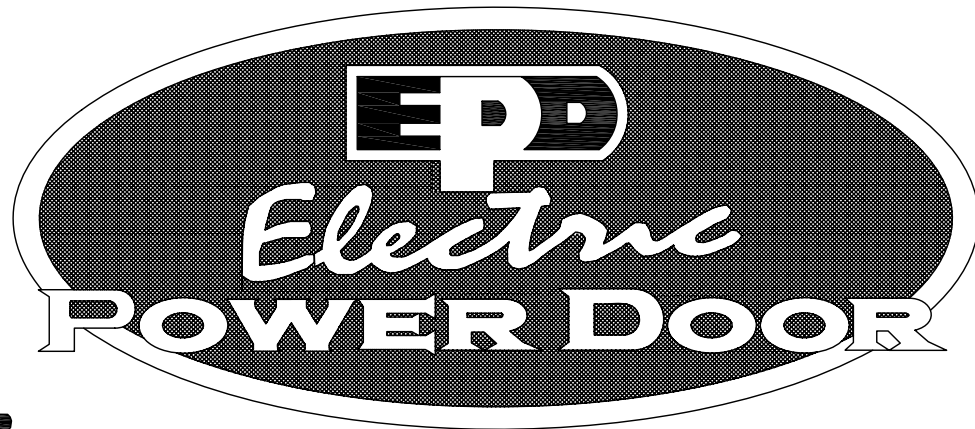


PHOTO-EYE BOLLARDS NOT SUPPLIED,  
FASTENED OR LOCATED BY  
ELECTRIC POWER DOOR





HYDRAULIC FOUR FOLD DOOR OPERATOR  
SIDE ELEVATION

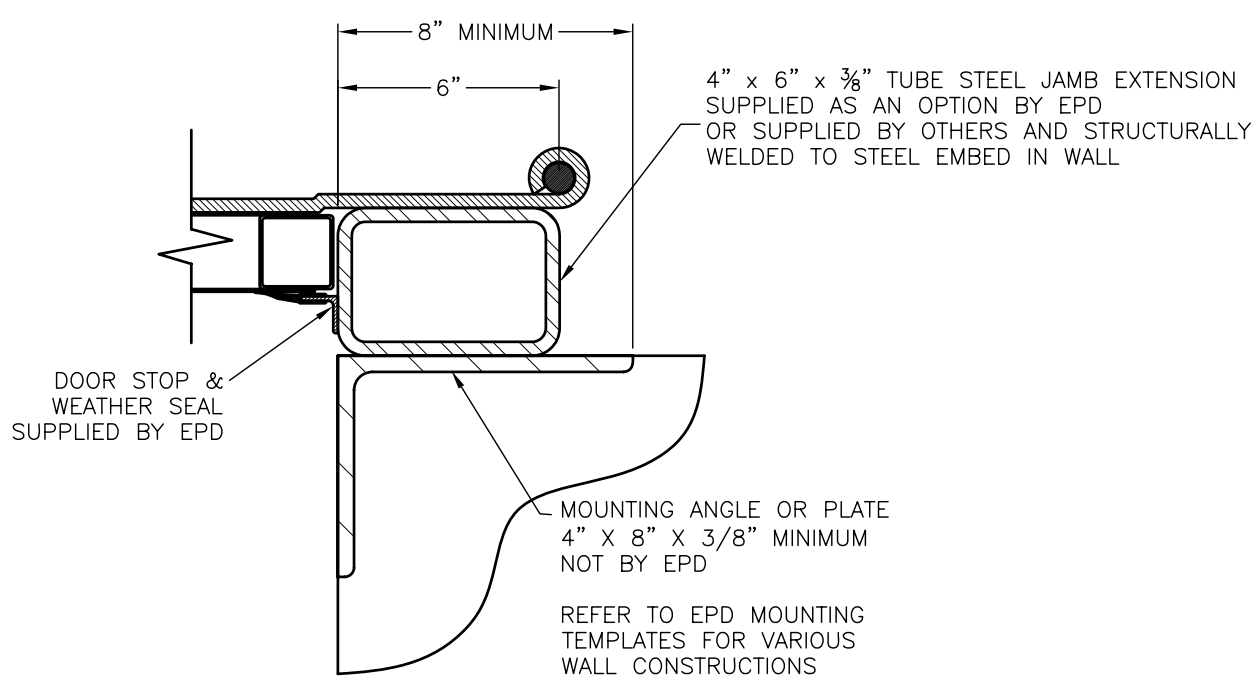


*Engineering in motion*

522 West 27th Street, Hibbing, Minnesota 55746  
(218)263-8366

FLAT SHEETED W/O WINDOWS  
MODEL 46  
HYDRAULIC OPERATED  
FOUR FOLD DOOR

SHOWN WITH A SIMULATED  
ARCHED HEADER  
AND  
TUBE STEEL JAMB EXTENSIONS



SECTION A  
TYPICAL SECTION AT DOOR JAMB