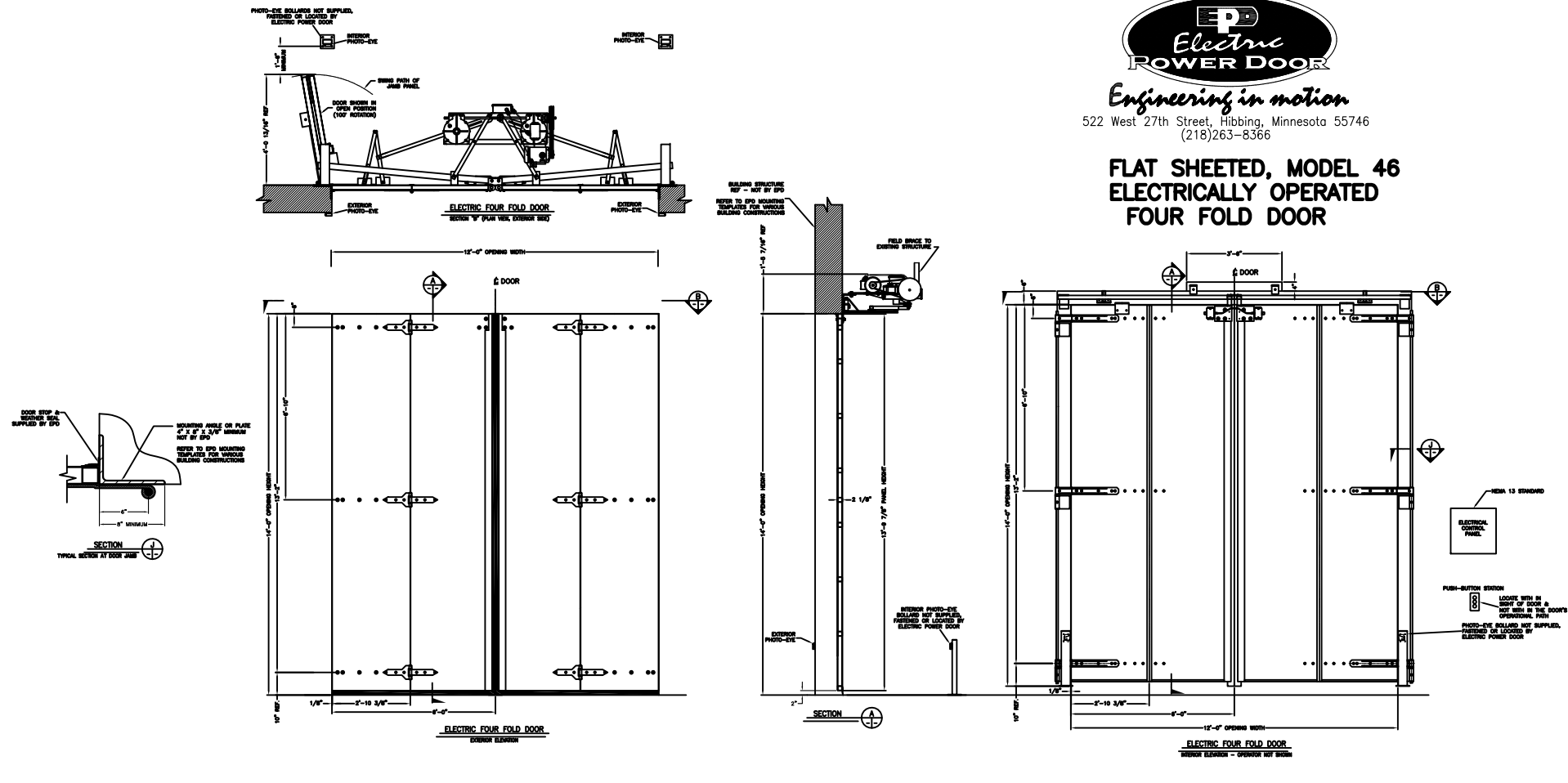




Engineering in motion

522 West 27th Street, Hibbing, Minnesota 55746
(218)263-8366

FLAT SHEETED, MODEL 46 ELECTRICALLY OPERATED FOUR FOLD DOOR

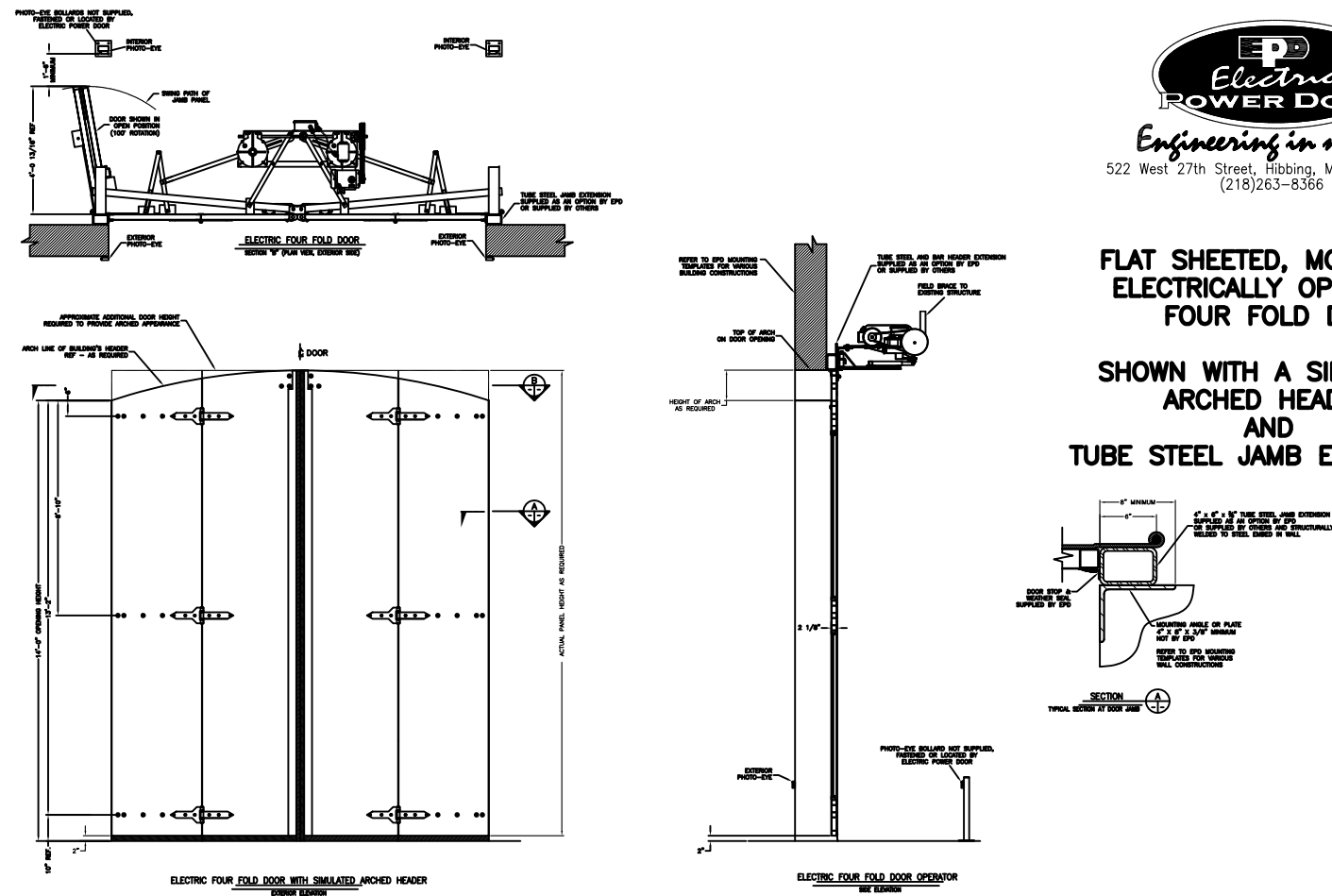


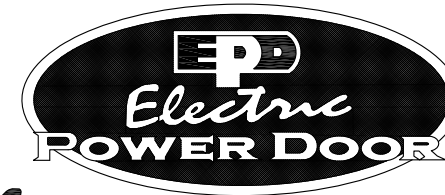
Engineering in motion

522 West 27th Street, Hibbing, Minnesota 55746
(218)263-8366

FLAT SHEETED, MODEL 46 ELECTRICALLY OPERATED FOUR FOLD DOOR

SHOWN WITH A SIMULATED ARCHED HEADER AND TUBE STEEL JAMB EXTENSIONS

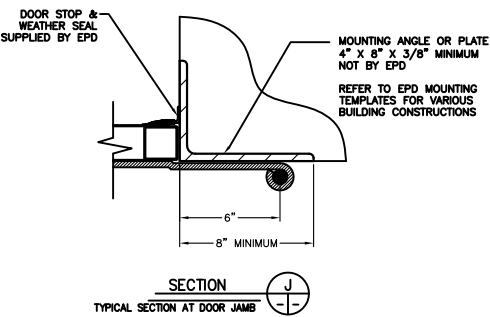
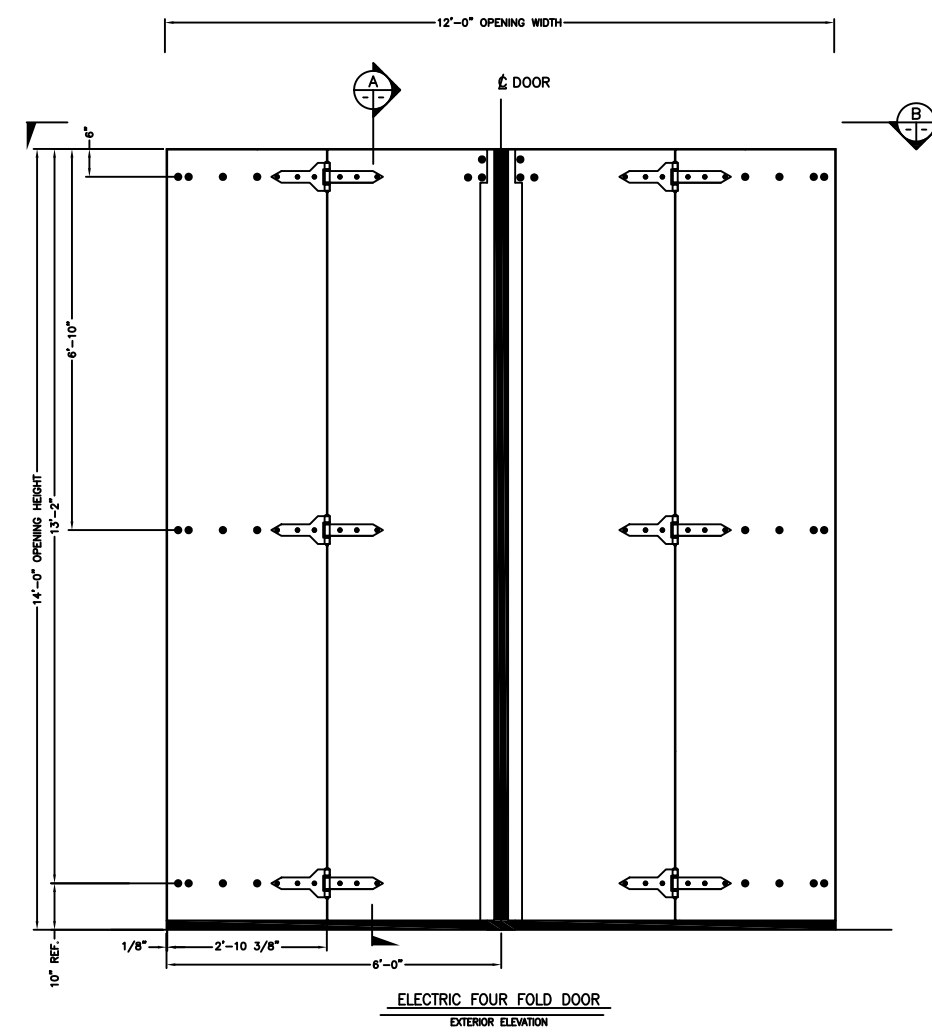
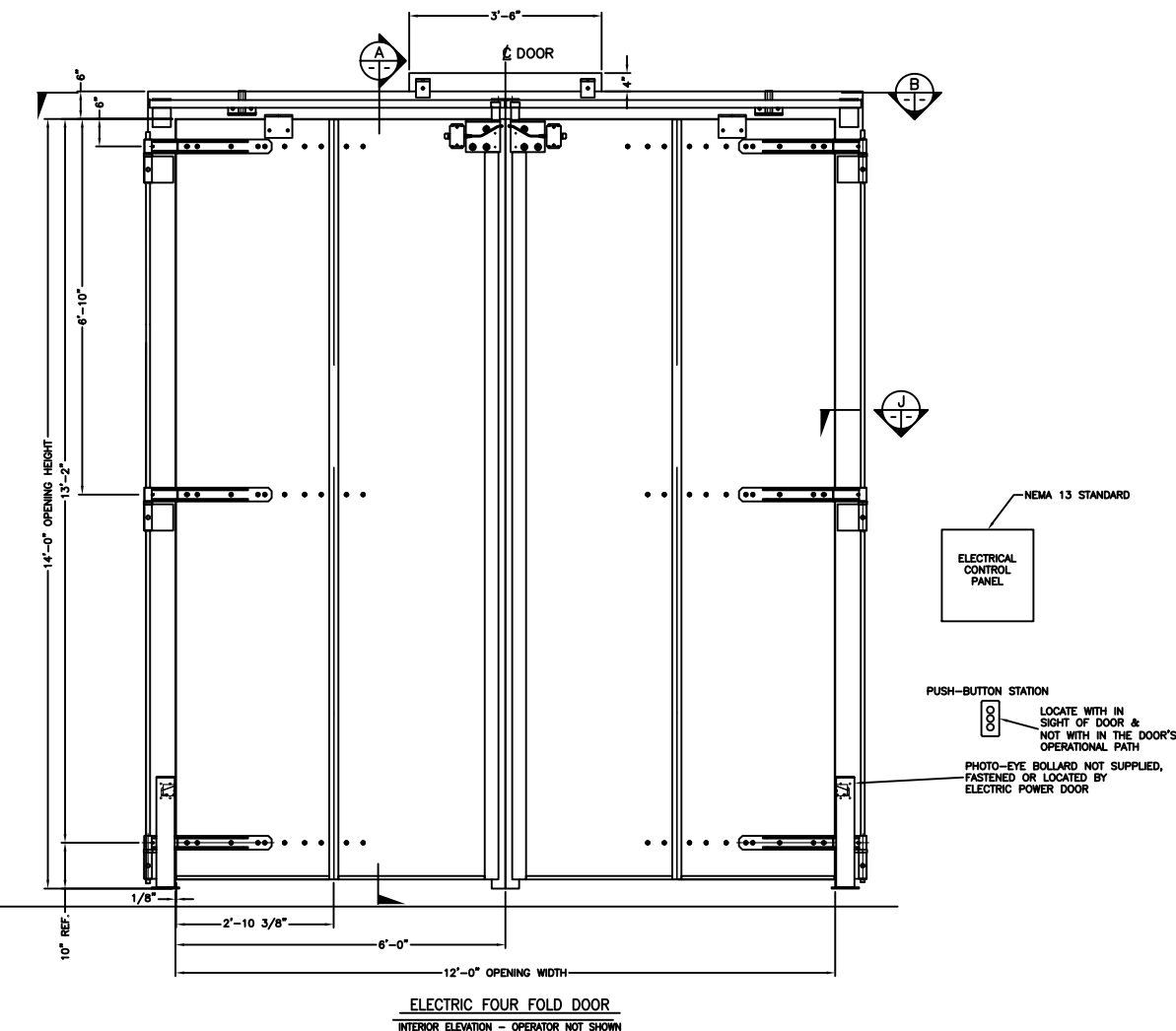
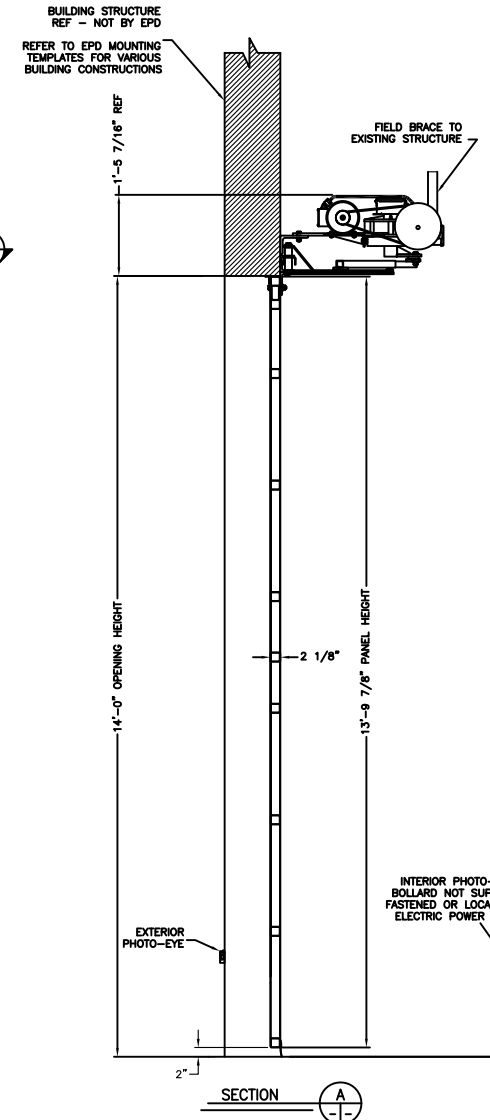
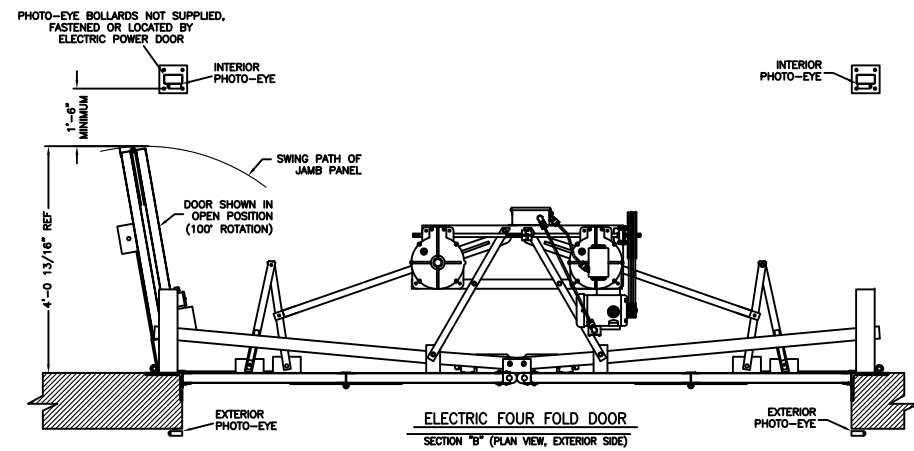


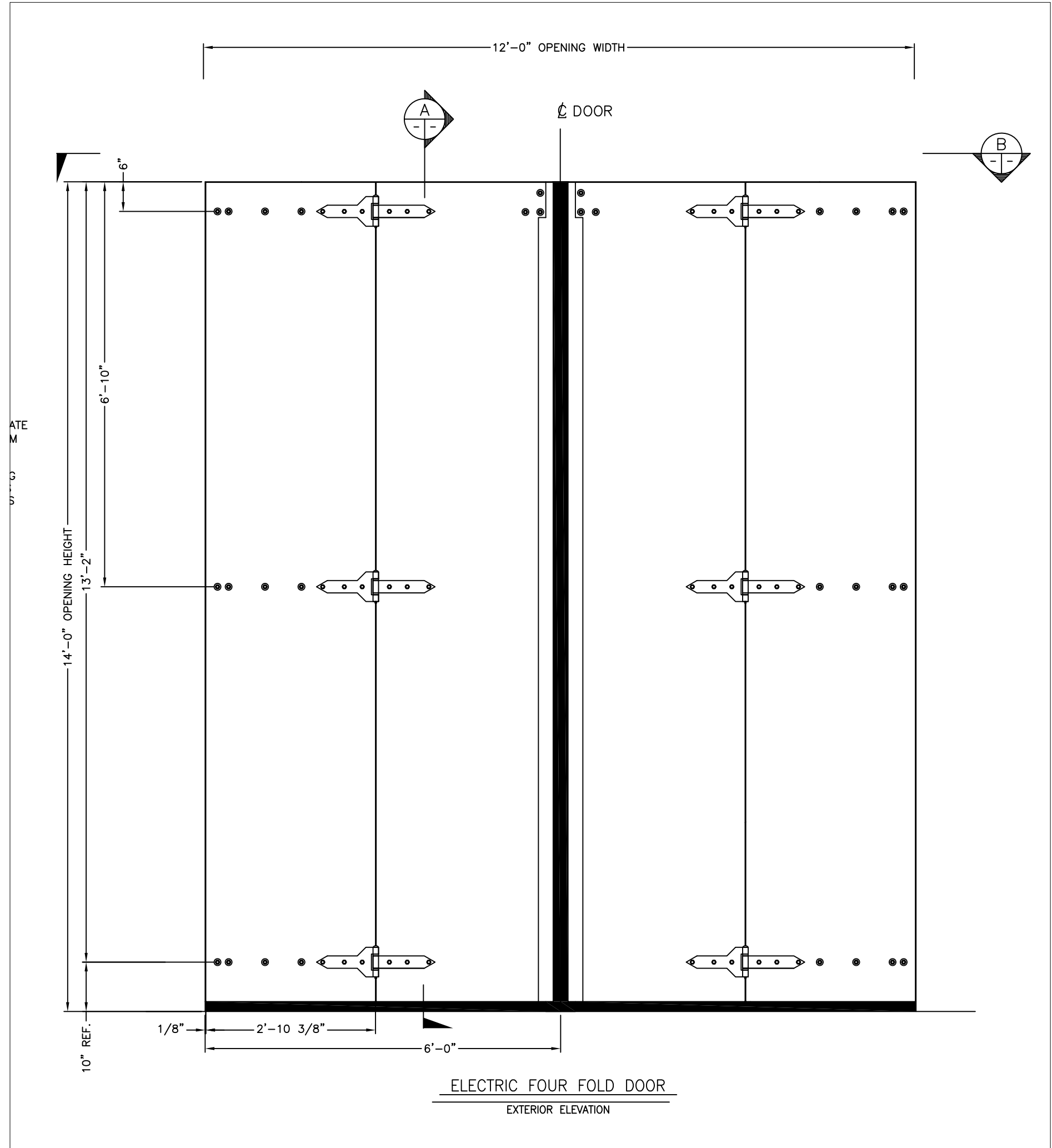


Engineering in motion

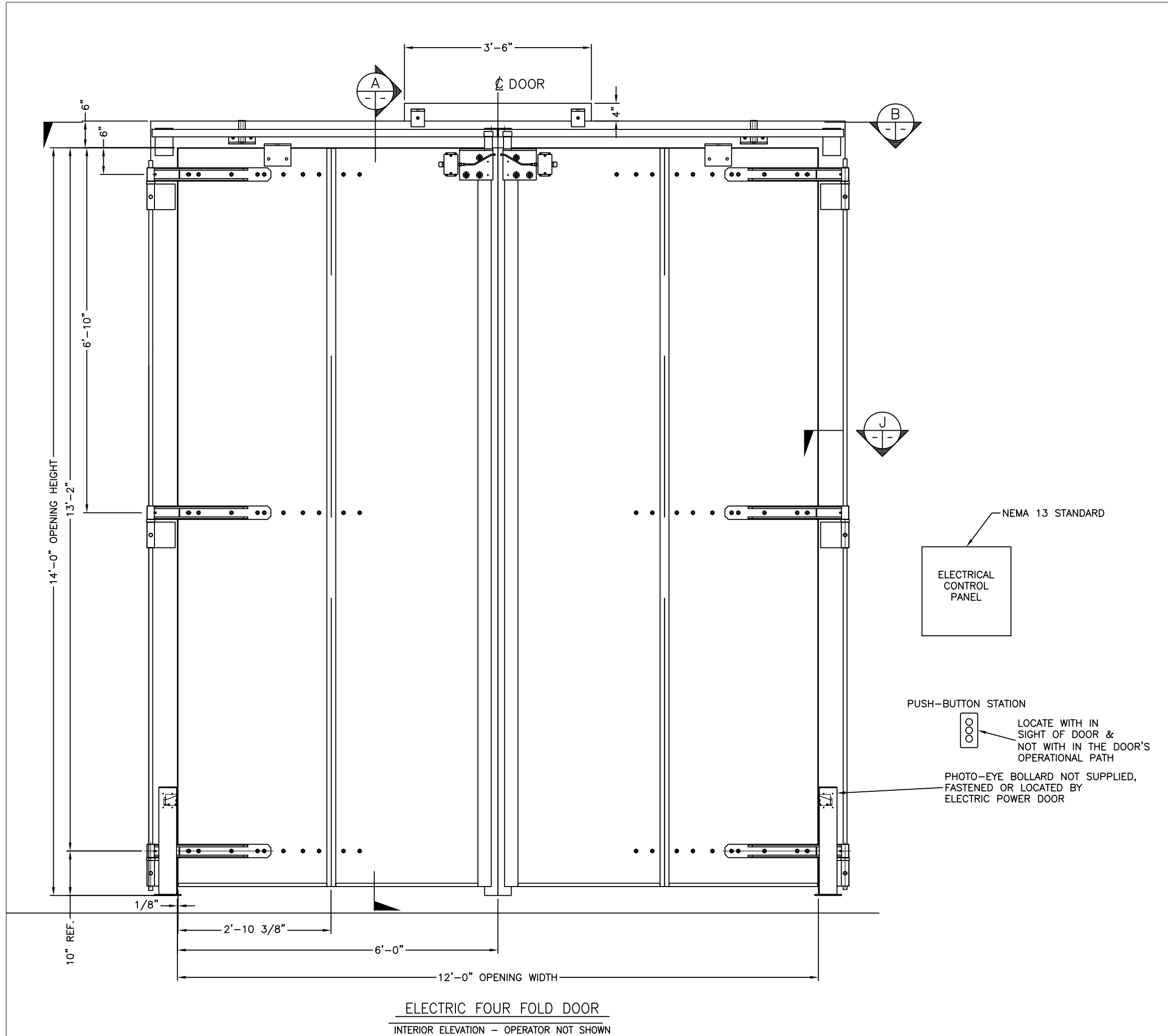
522 West 27th Street, Hibbing, Minnesota 55746
(218)263-8366

FLAT SHEETED, MODEL 46 ELECTRICALLY OPERATED FOUR FOLD DOOR



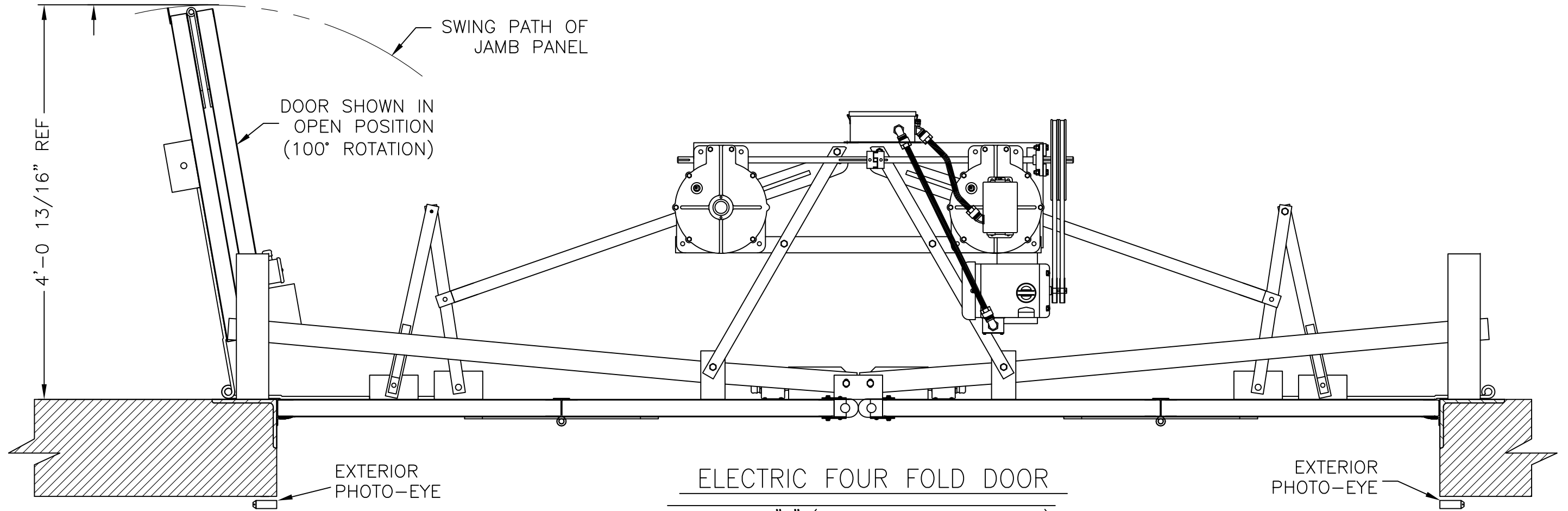
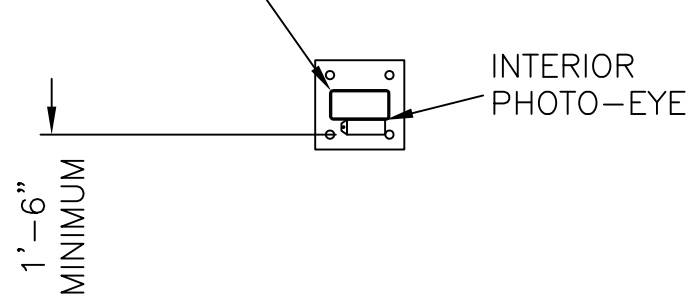


DATE
M
G
S



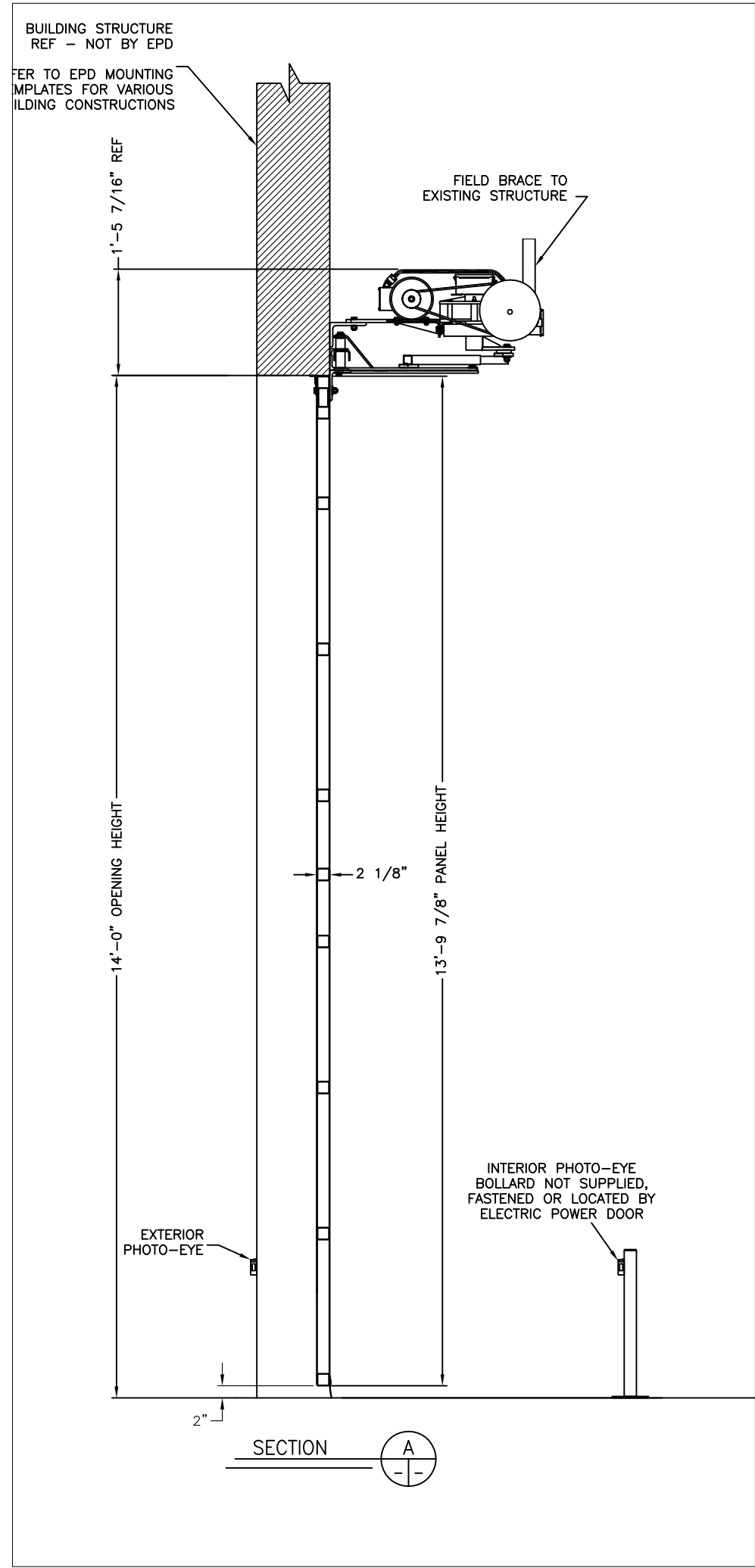
ELECTRIC FOUR FOLD DOOR
 INTERIOR ELEVATION - OPERATOR NOT SHOWN

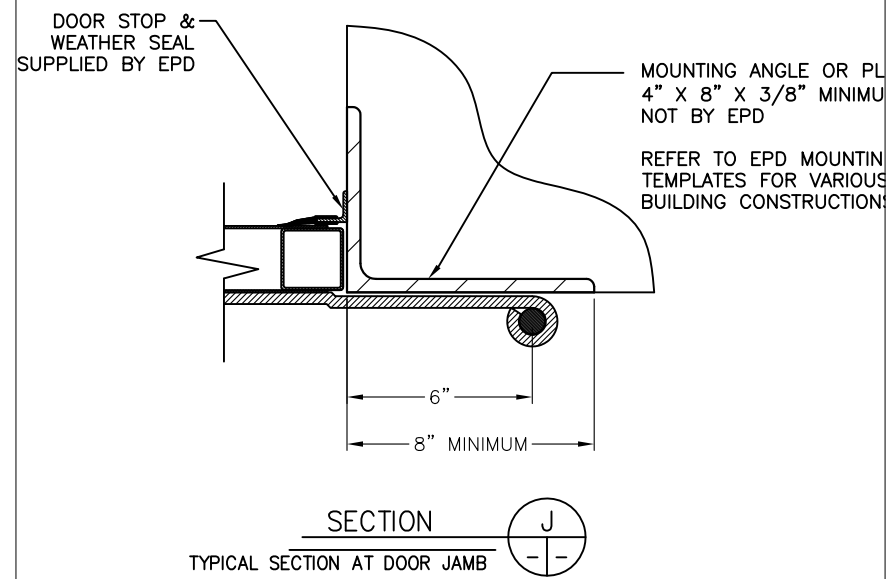
PHOTO-EYE BOLLARDS NOT SUPPLIED,
FASTENED OR LOCATED BY
ELECTRIC POWER DOOR

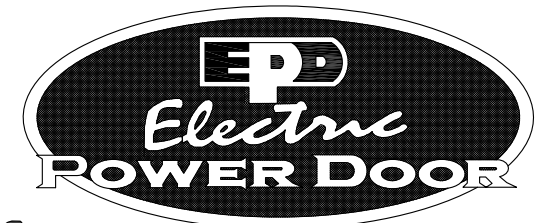


ELECTRIC FOUR FOLD DOOR

SECTION "B" (PLAN VIEW, EXTERIOR SIDE)





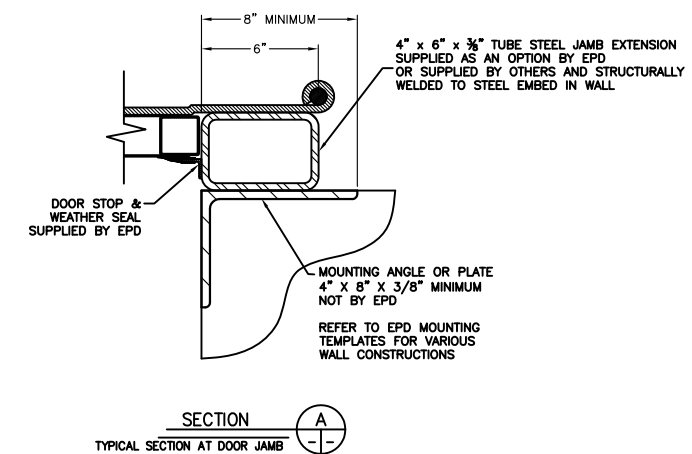
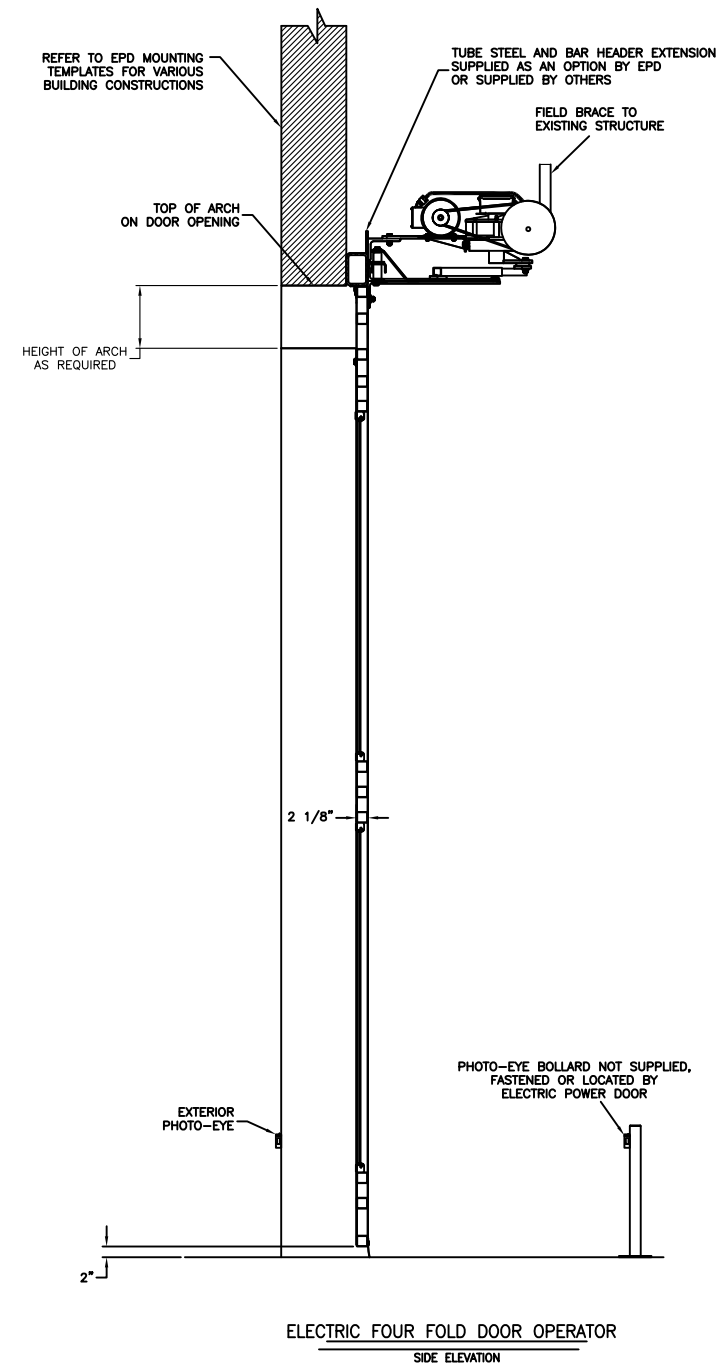
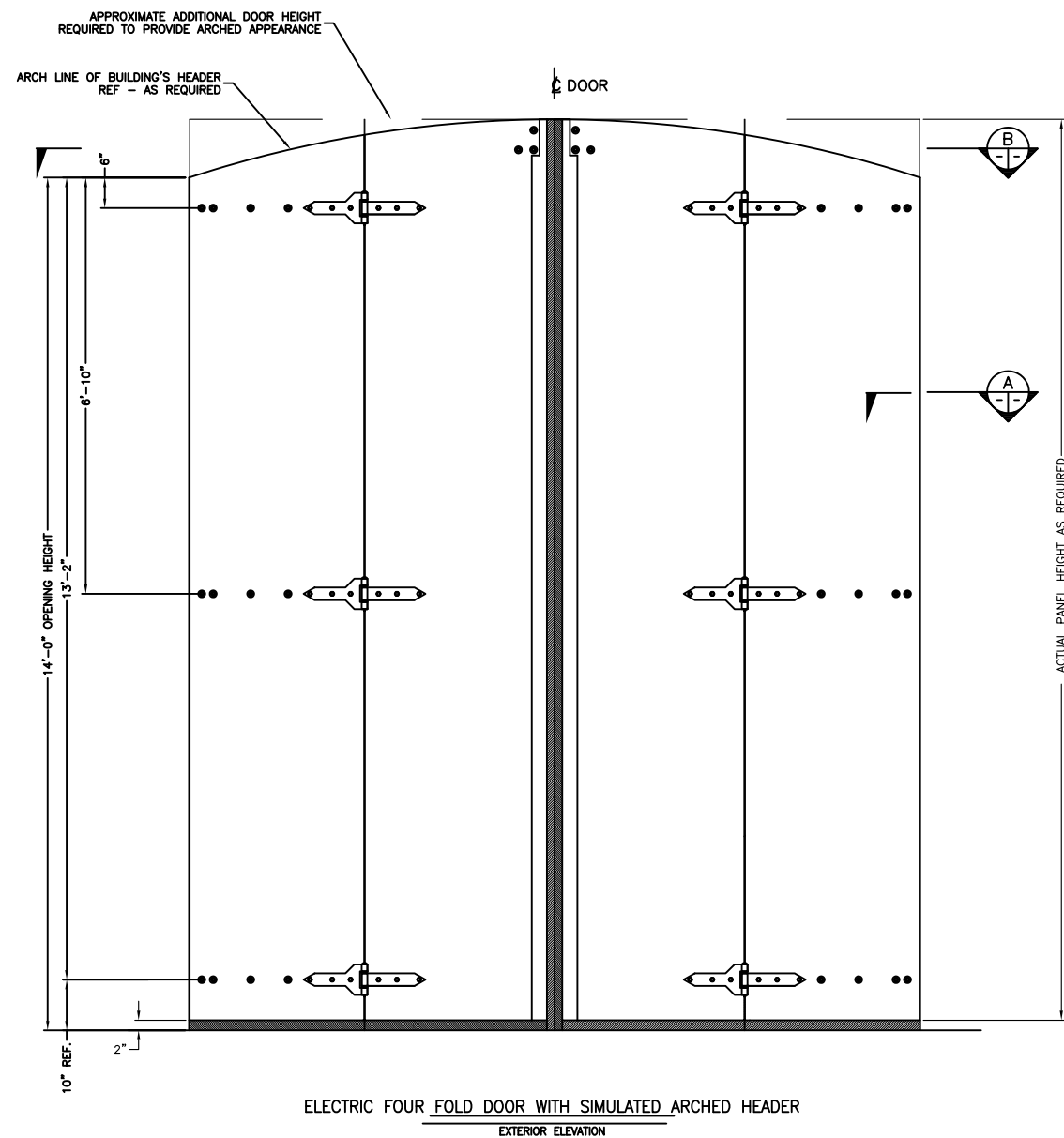
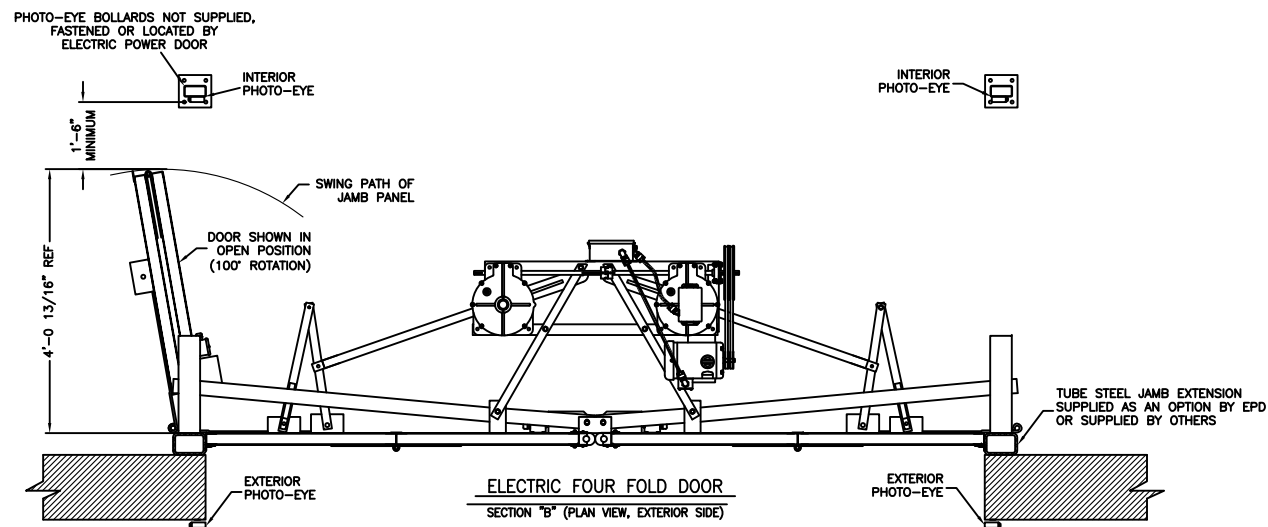


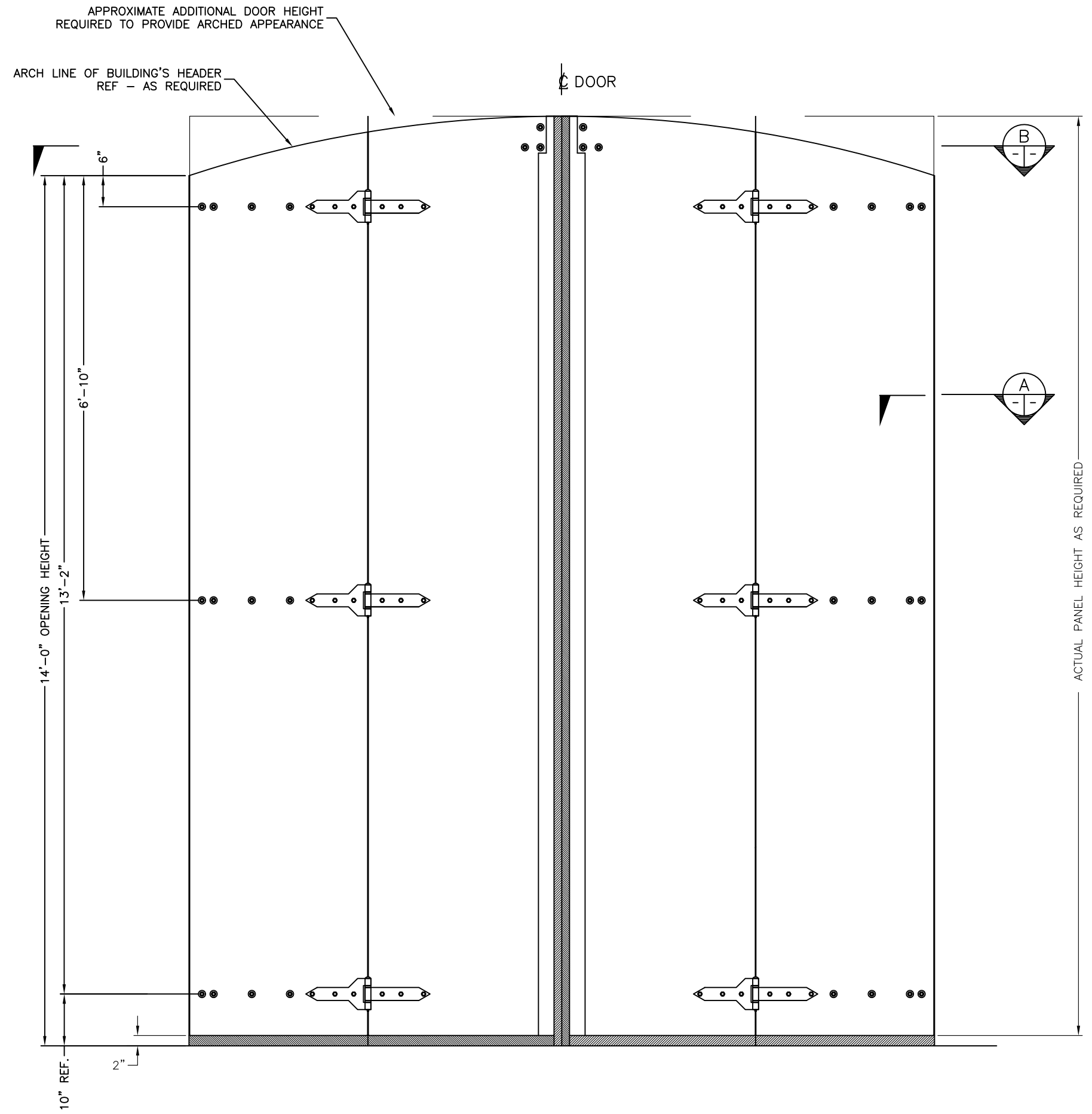
Engineering in motion

522 West 27th Street, Hibbing, Minnesota 55746
(218)263-8366

FLAT SHEETED, MODEL 46 ELECTRICALLY OPERATED FOUR FOLD DOOR

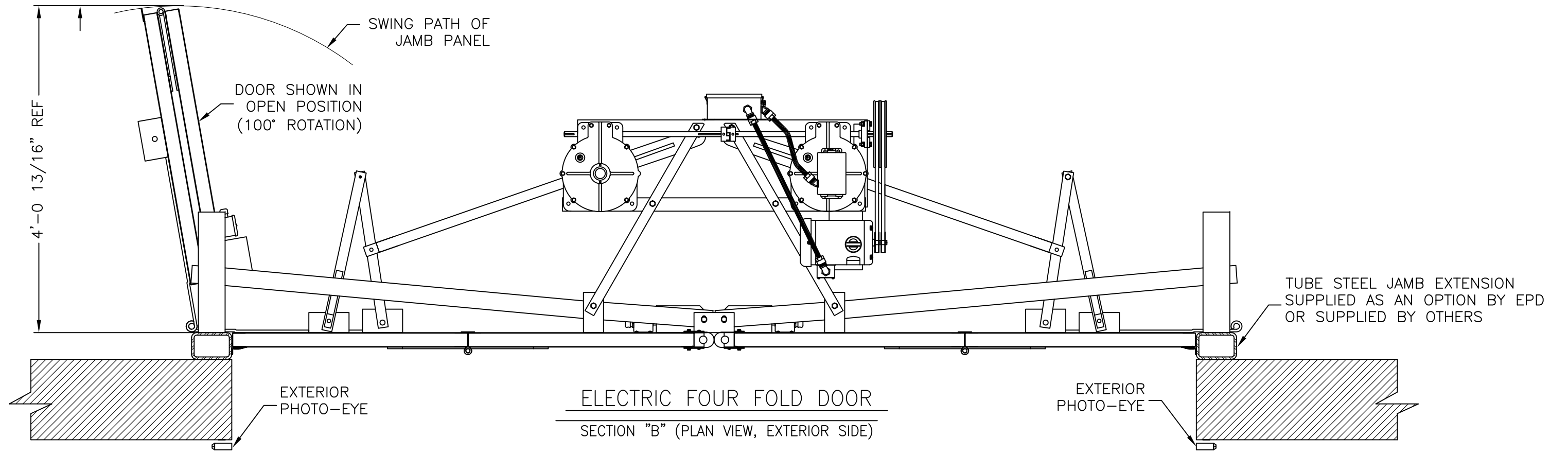
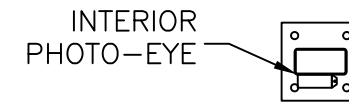
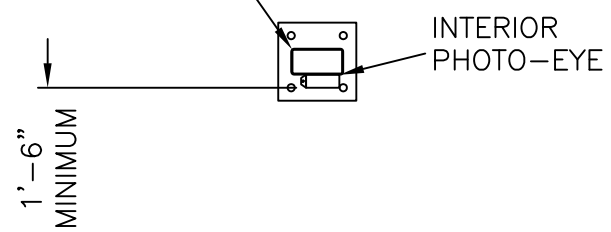
SHOWN WITH A SIMULATED ARCHED HEADER AND TUBE STEEL JAMB EXTENSIONS



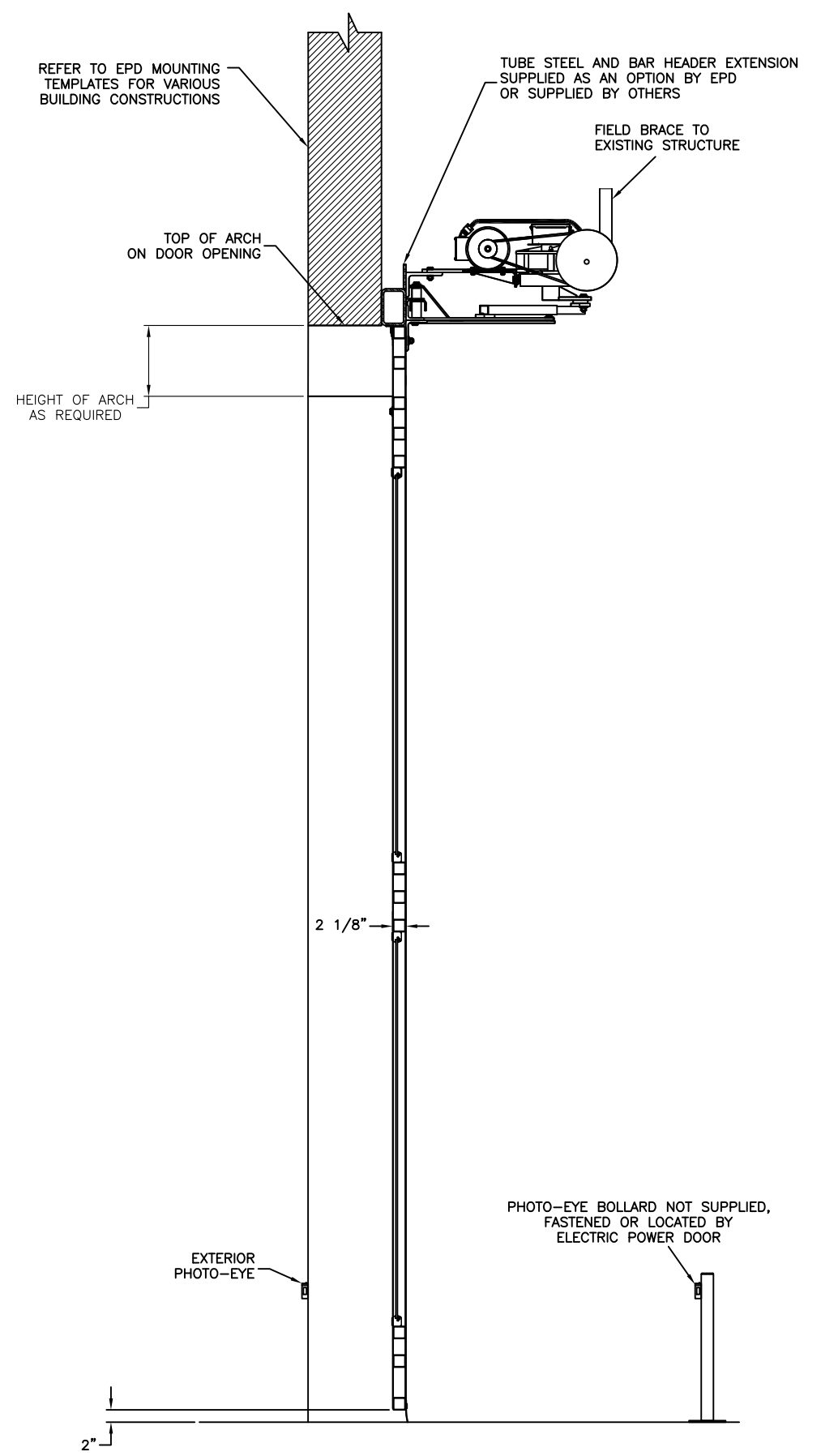


ELECTRIC FOUR FOLD DOOR WITH SIMULATED ARCHED HEADER
 EXTERIOR ELEVATION

PHOTO-EYE BOLLARDS NOT SUPPLIED,
FASTENED OR LOCATED BY
ELECTRIC POWER DOOR



ELECTRIC FOUR FOLD DOOR
SECTION "B" (PLAN VIEW, EXTERIOR SIDE)



REFER TO EPD MOUNTING
TEMPLATES FOR VARIOUS
BUILDING CONSTRUCTIONS

TUBE STEEL AND BAR HEADER EXTENSION
SUPPLIED AS AN OPTION BY EPD
OR SUPPLIED BY OTHERS

FIELD BRACE TO
EXISTING STRUCTURE

TOP OF ARCH
ON DOOR OPENING

HEIGHT OF ARCH
AS REQUIRED

2 1/8"

EXTERIOR
PHOTO-EYE

PHOTO-EYE BOLLARD NOT SUPPLIED,
FASTENED OR LOCATED BY
ELECTRIC POWER DOOR

2"

ELECTRIC FOUR FOLD DOOR OPERATOR
SIDE ELEVATION

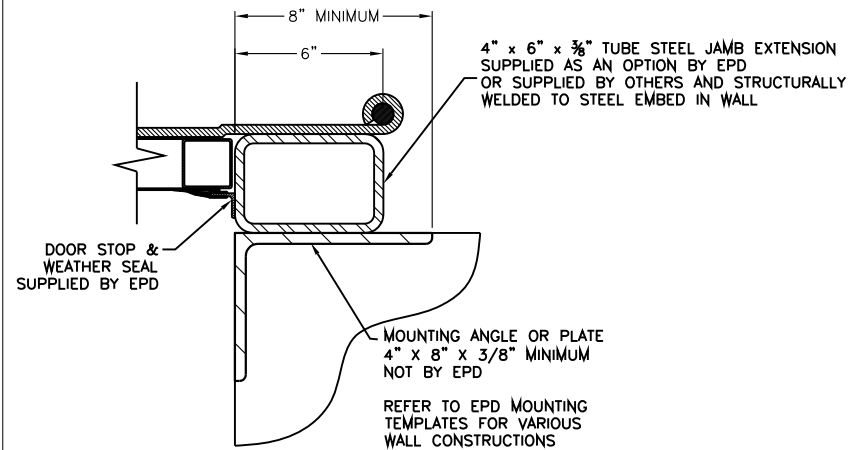


engineering in motion

522 West 27th Street, Hibbing, Minnesota 55746
(218)263-8366

FLAT SHEETED, MODEL 46
ELECTRICALLY OPERATED
FOUR FOLD DOOR

SHOWN WITH A SIMULATED
ARCHED HEADER
AND
TUBE STEEL JAMB EXTENSIONS



SECTION A
TYPICAL SECTION AT DOOR JAMB