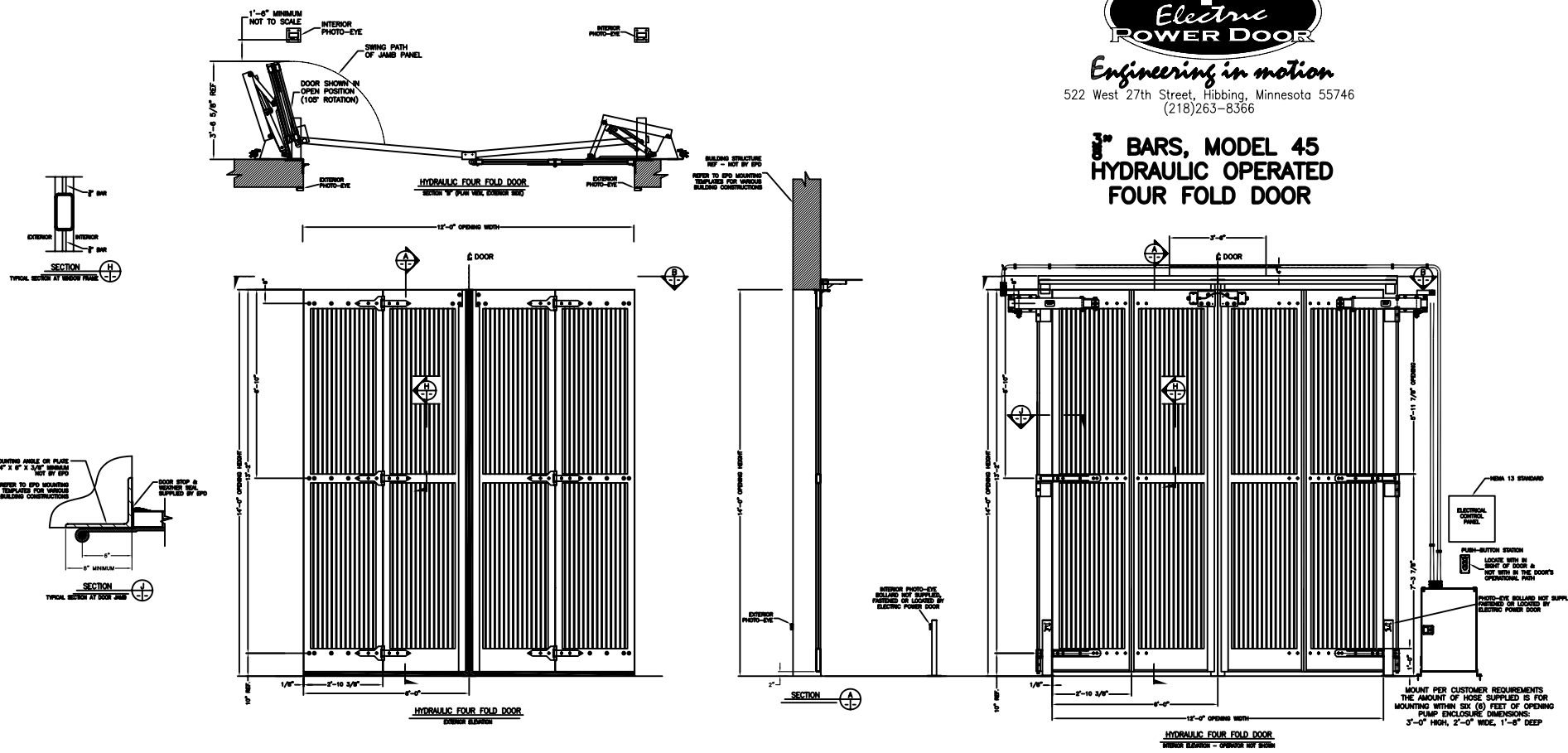




Engineering in motion
522 West 27th Street, Hibbing, Minnesota 55746
(218)263-8366

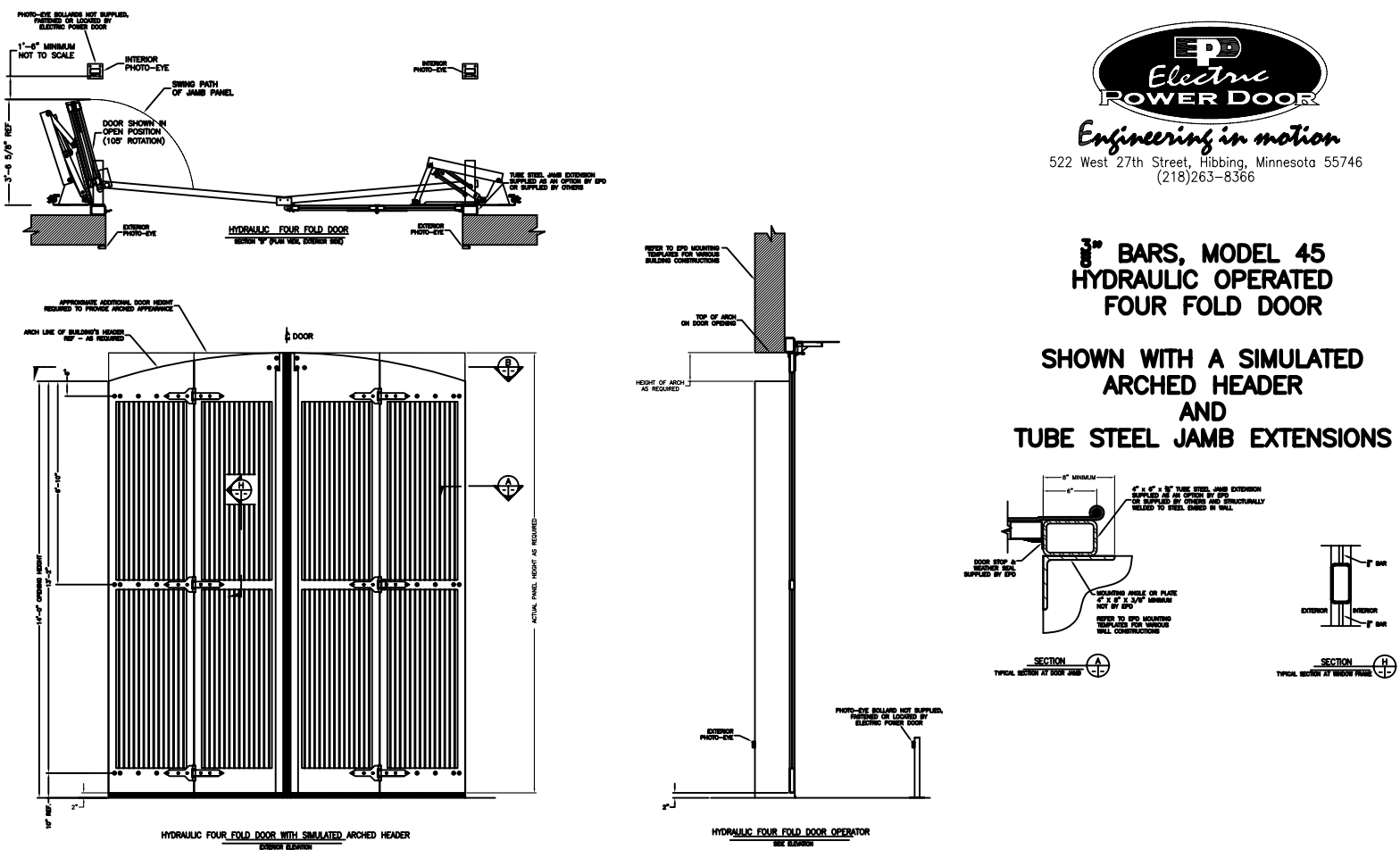
3" BARS, MODEL 45 HYDRAULIC OPERATED FOUR FOLD DOOR



Engineering in motion
522 West 27th Street, Hibbing, Minnesota 55746
(218)263-8366

3" BARS, MODEL 45 HYDRAULIC OPERATED FOUR FOLD DOOR

SHOWN WITH A SIMULATED
ARCHED HEADER
AND
TUBE STEEL JAMB EXTENSIONS

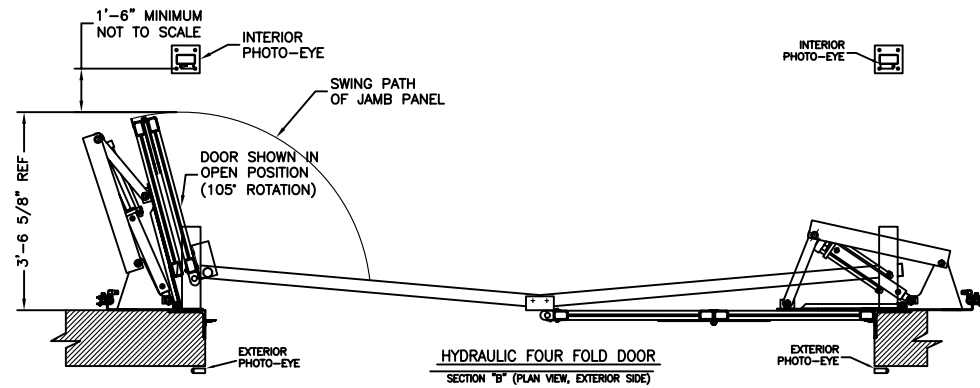




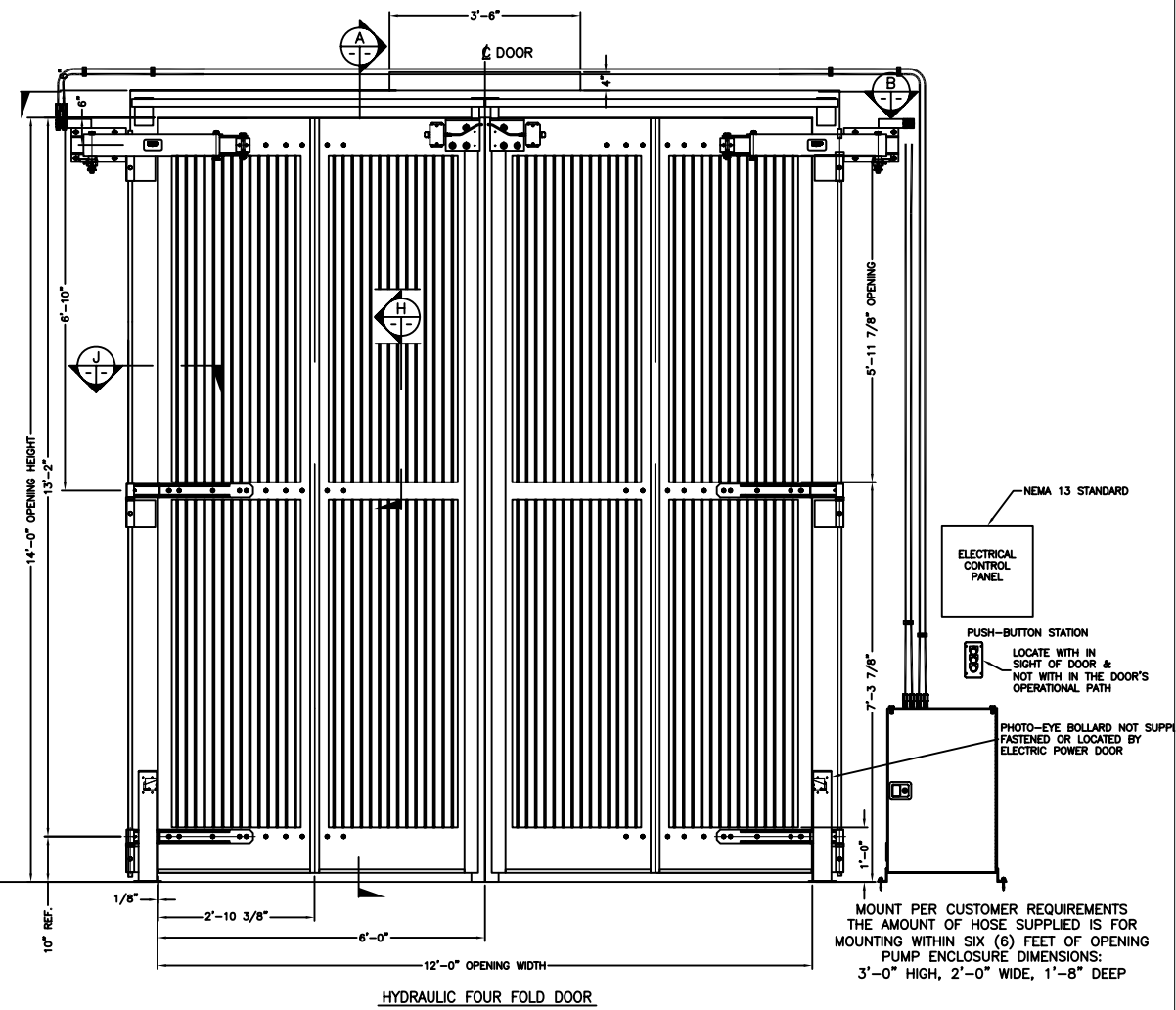
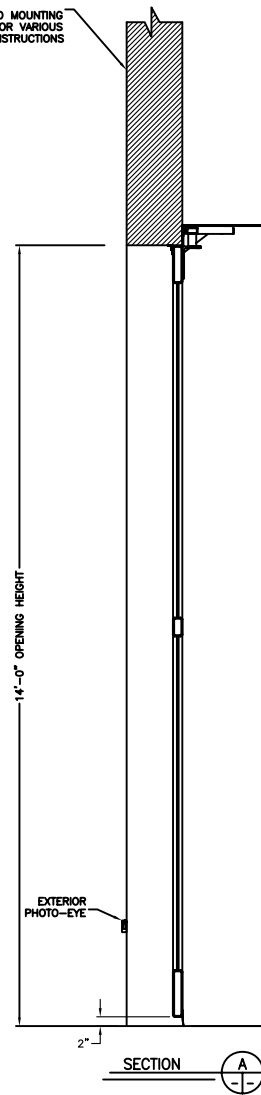
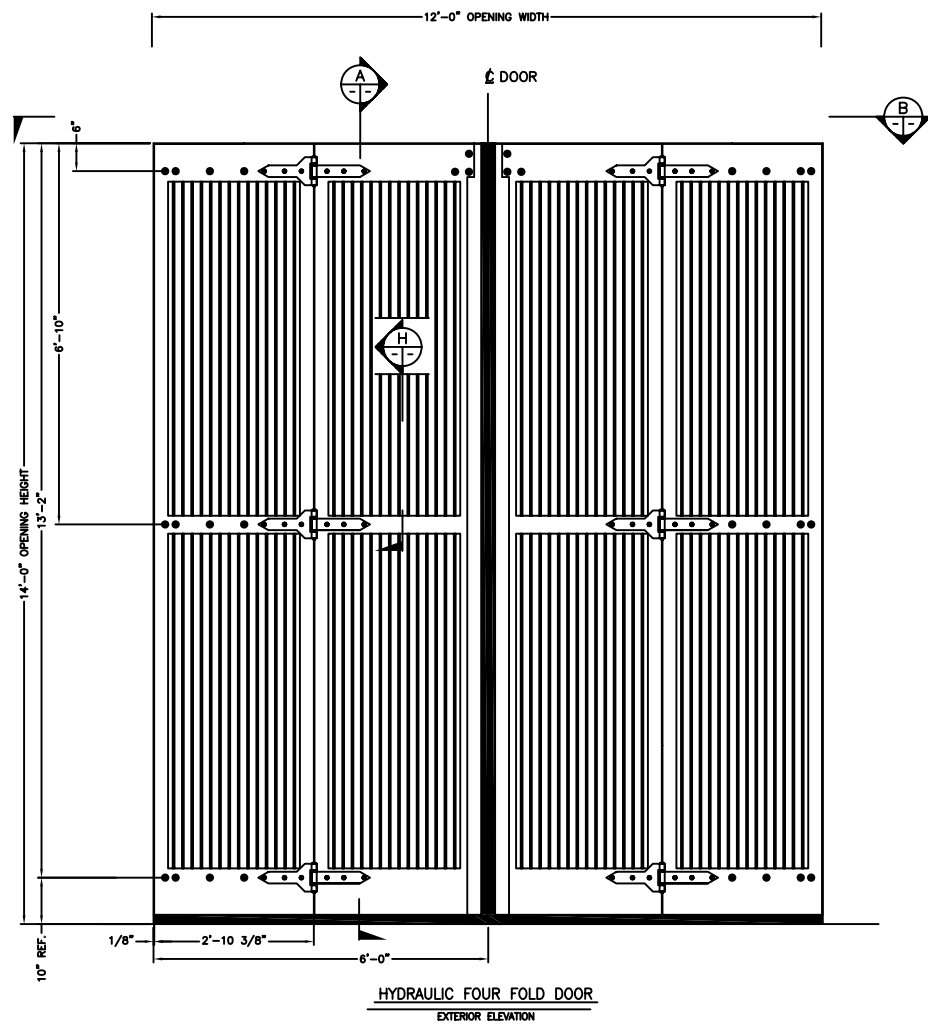
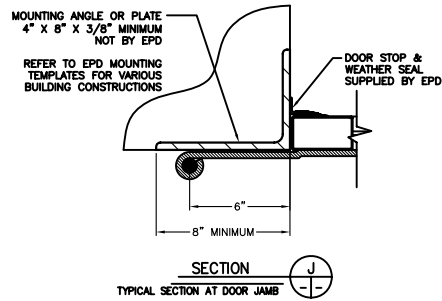
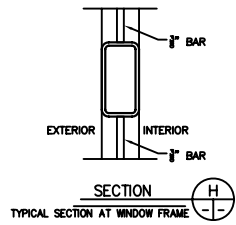
Engineering in motion

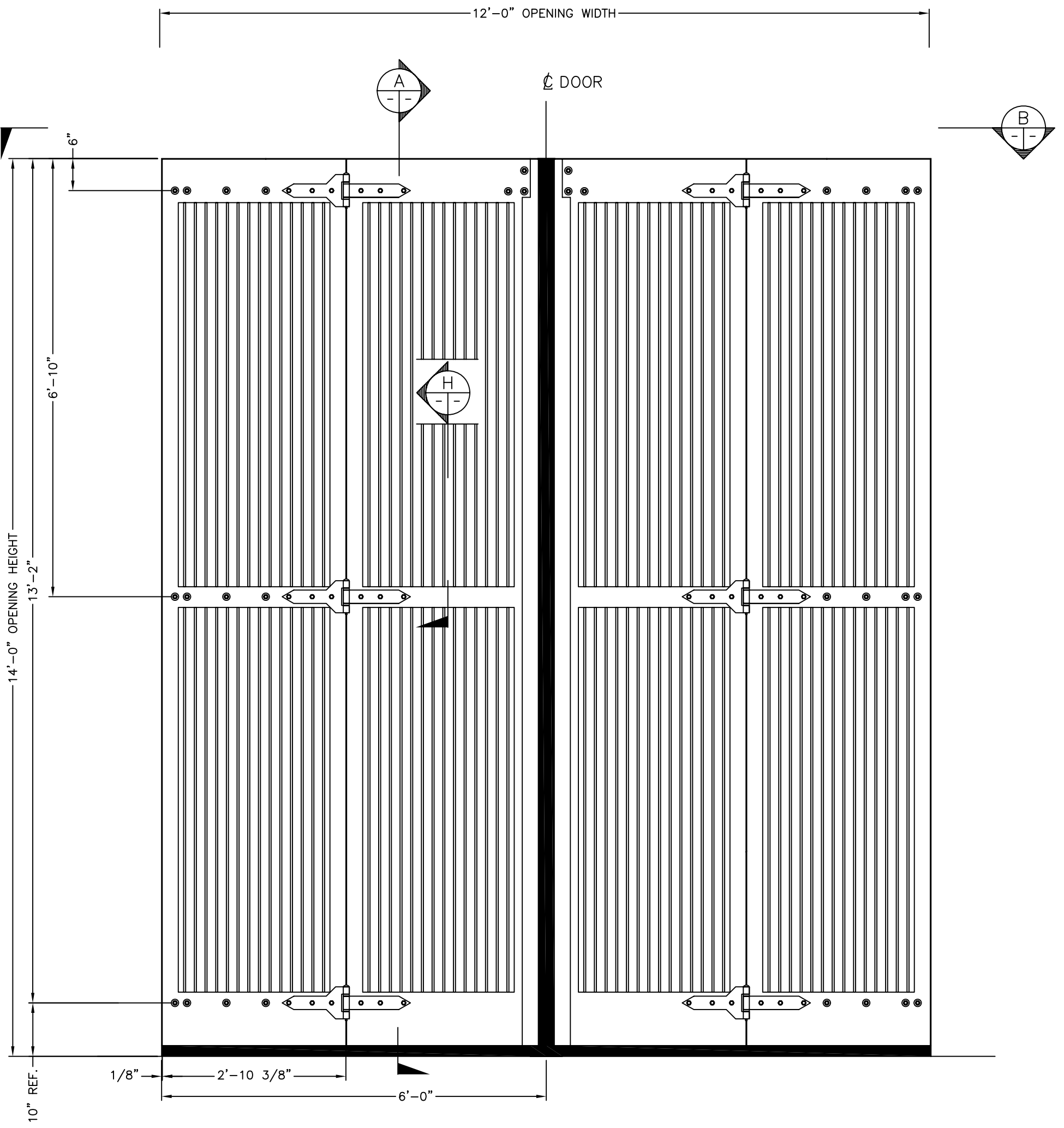
522 West 27th Street, Hibbing, Minnesota 55746
(218)263-8366

3" BARS, MODEL 45 HYDRAULIC OPERATED FOUR FOLD DOOR

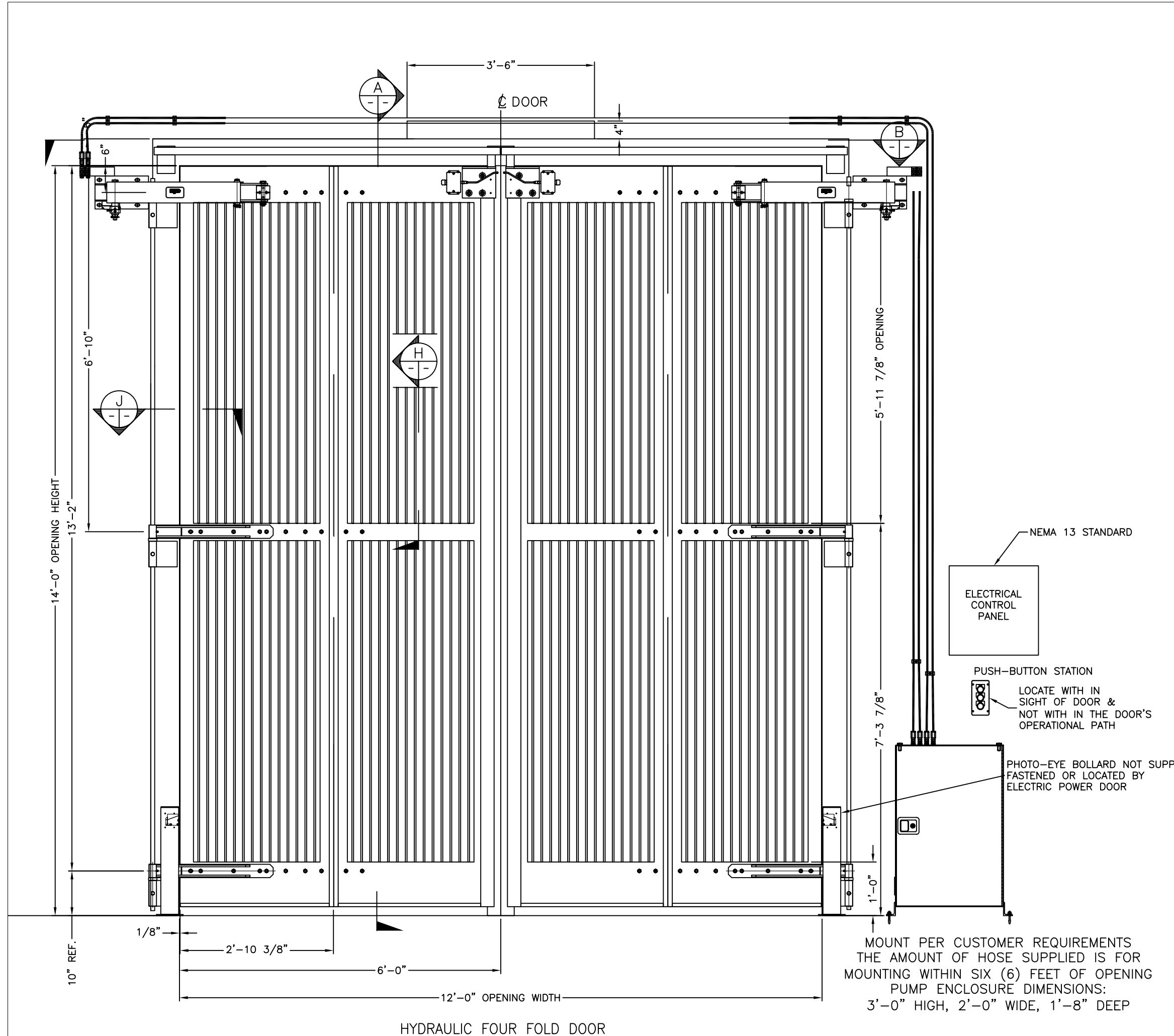


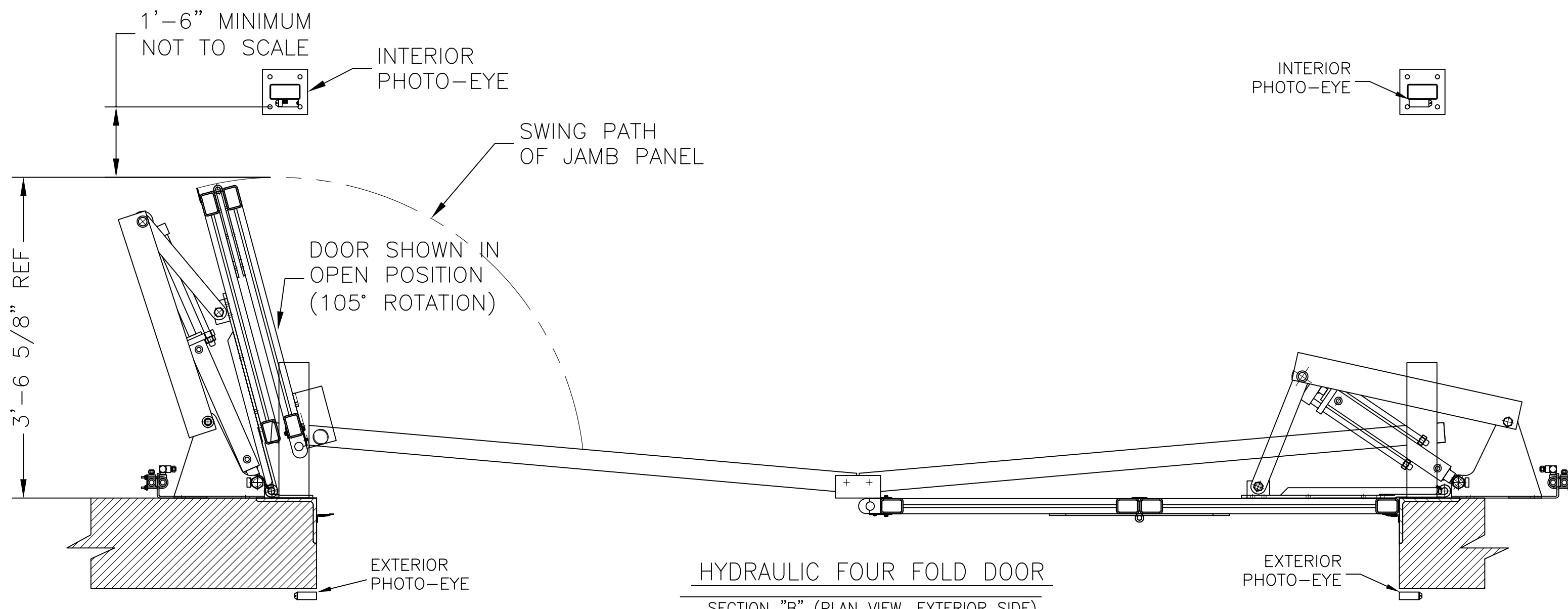
BUILDING STRUCTURE REF - NOT BY EPD
REFER TO EPD MOUNTING TEMPLATES FOR VARIOUS BUILDING CONSTRUCTIONS





HYDRAULIC FOUR FOLD DOOR
EXTERIOR ELEVATION

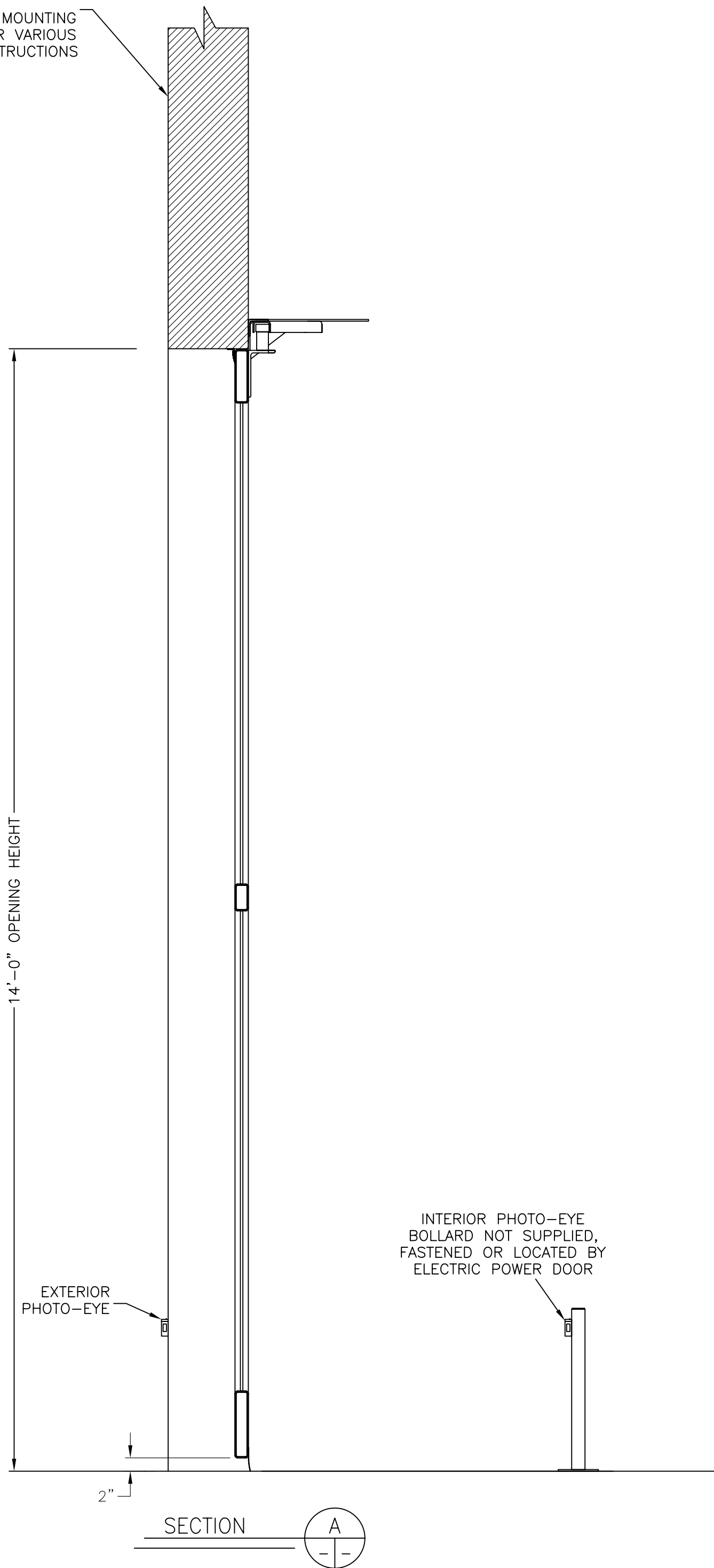


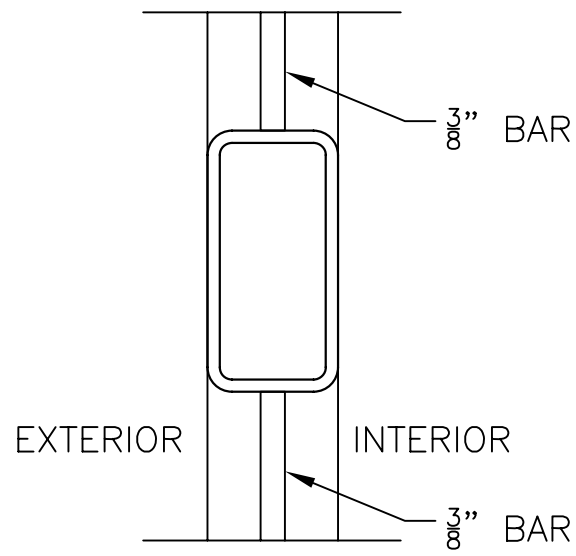


HYDRAULIC FOUR FOLD DOOR
SECTION "B" (PLAN VIEW, EXTERIOR SIDE)

BUILDING STRUCTURE
REF - NOT BY EPD

REFER TO EPD MOUNTING
TEMPLATES FOR VARIOUS
BUILDING CONSTRUCTIONS



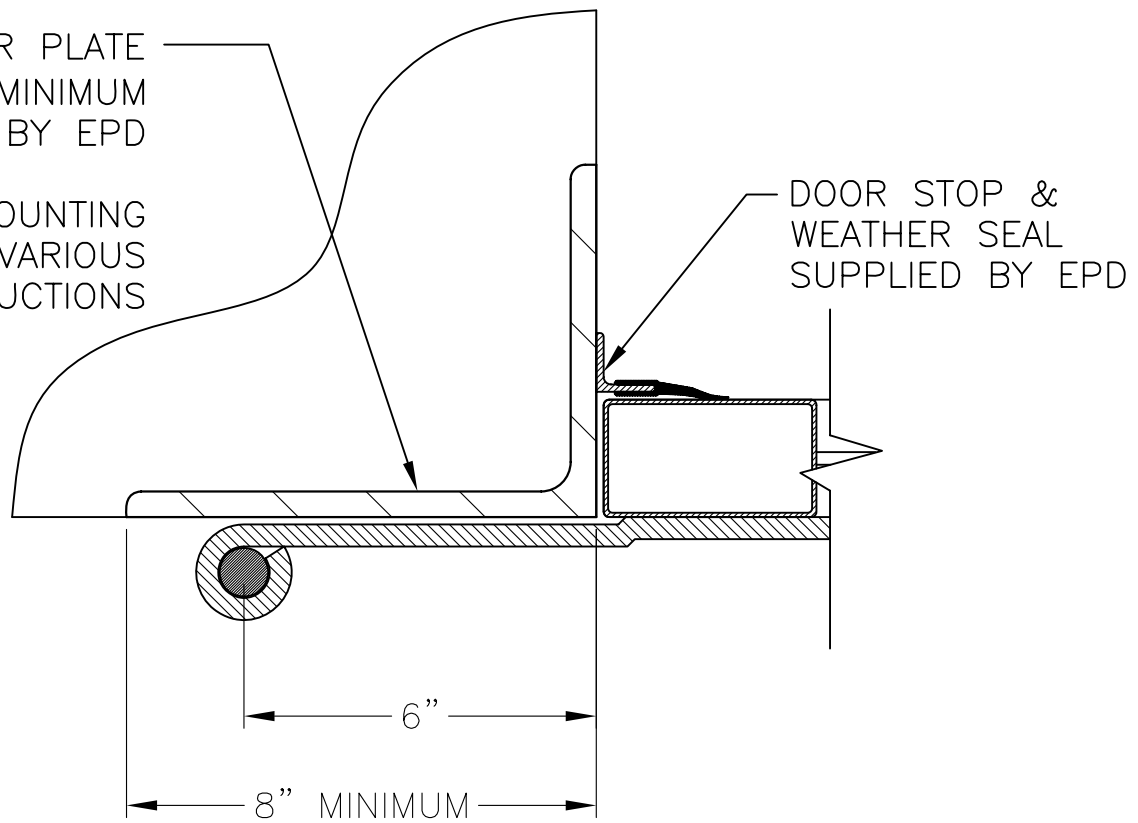


SECTION
 TYPICAL SECTION AT WINDOW FRAME



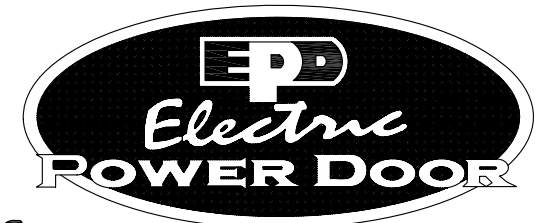
MOUNTING ANGLE OR PLATE
 4" X 8" X 3/8" MINIMUM
 NOT BY EPD

REFER TO EPD MOUNTING
 TEMPLATES FOR VARIOUS
 BUILDING CONSTRUCTIONS



SECTION
 TYPICAL SECTION AT DOOR JAMB



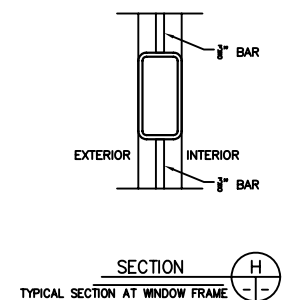
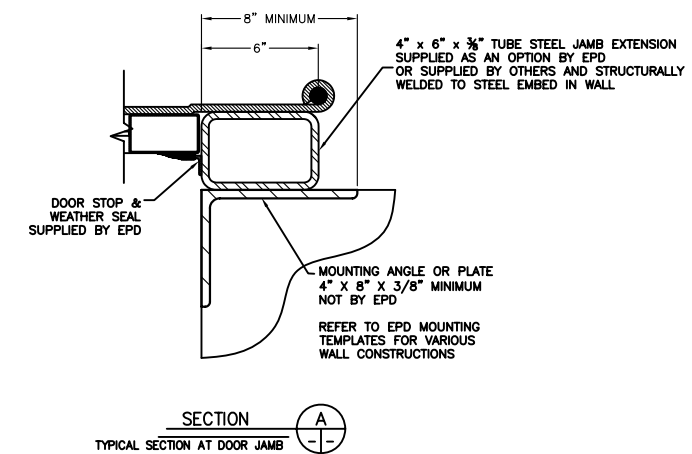
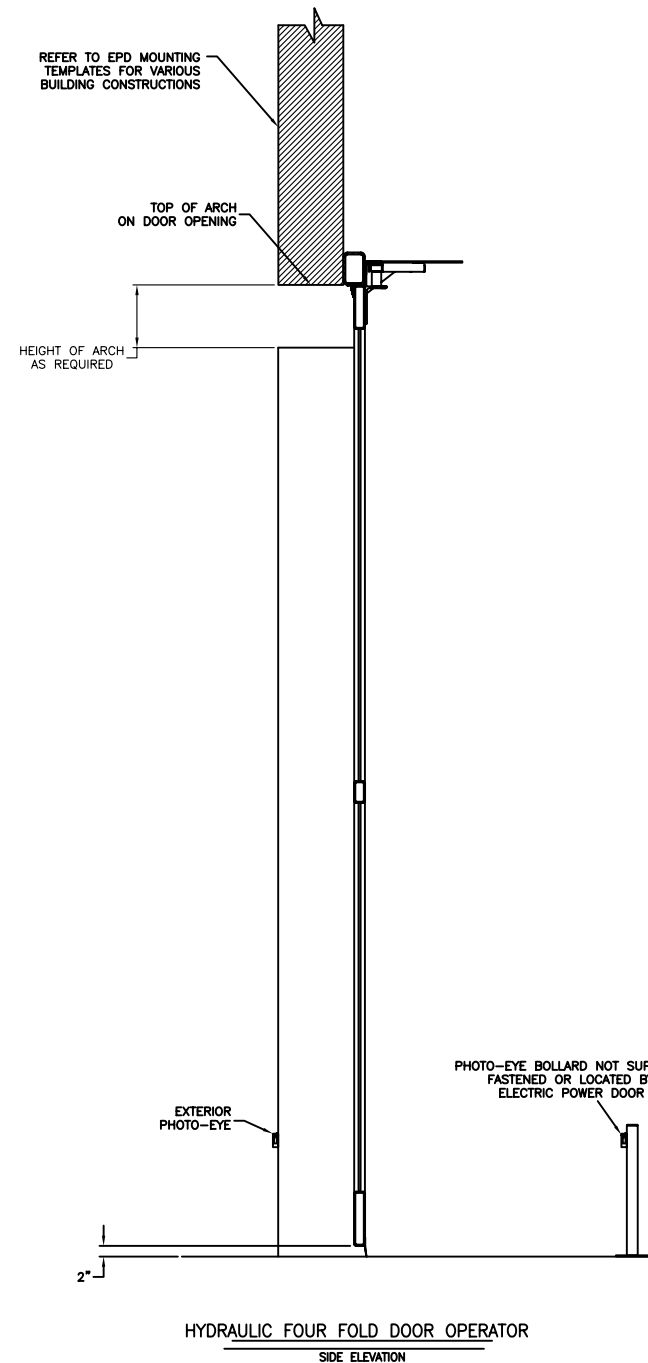
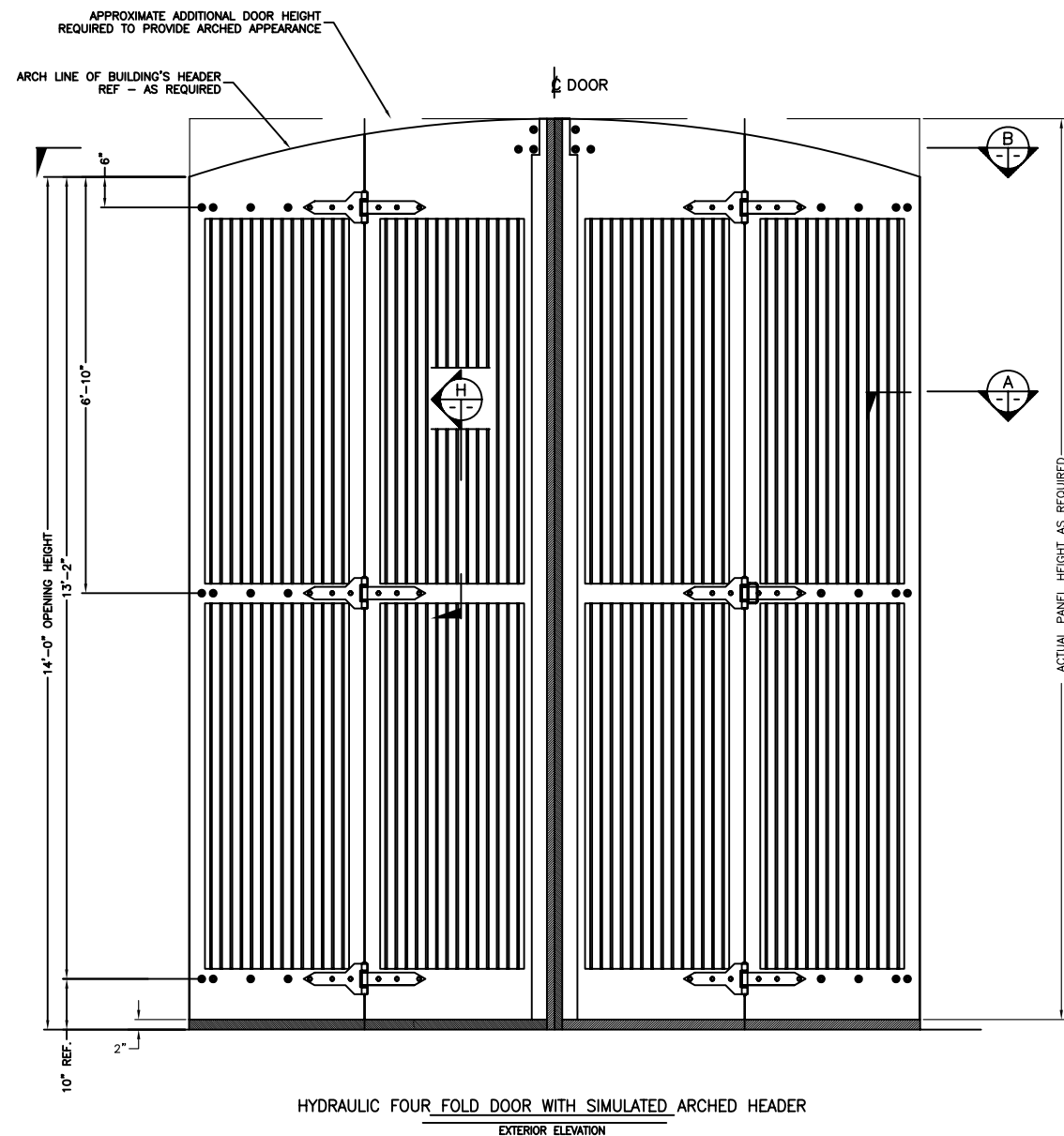
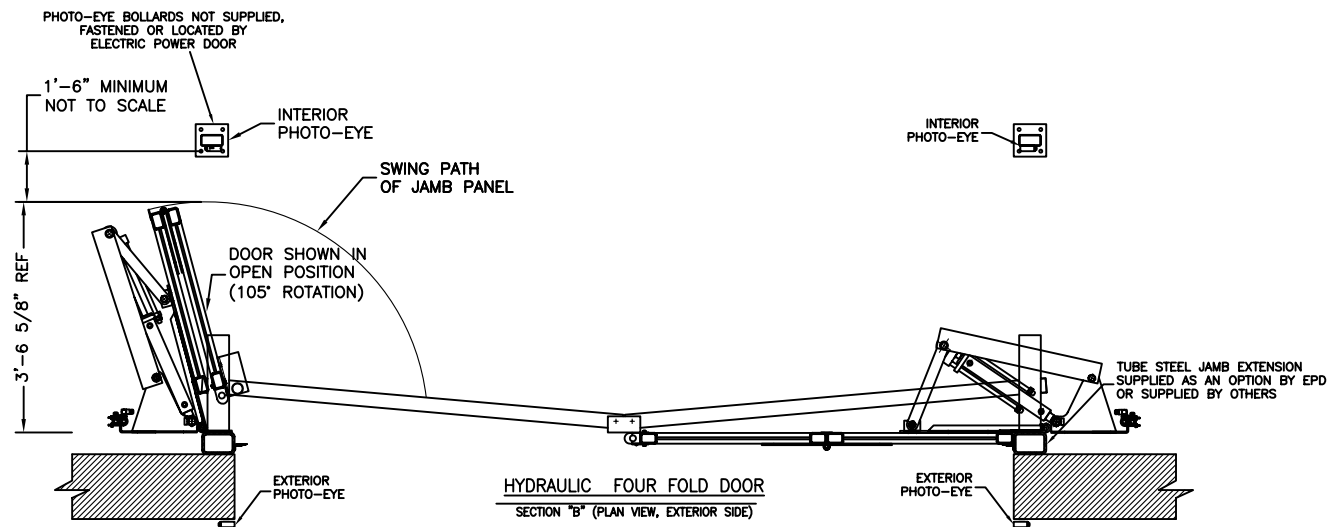


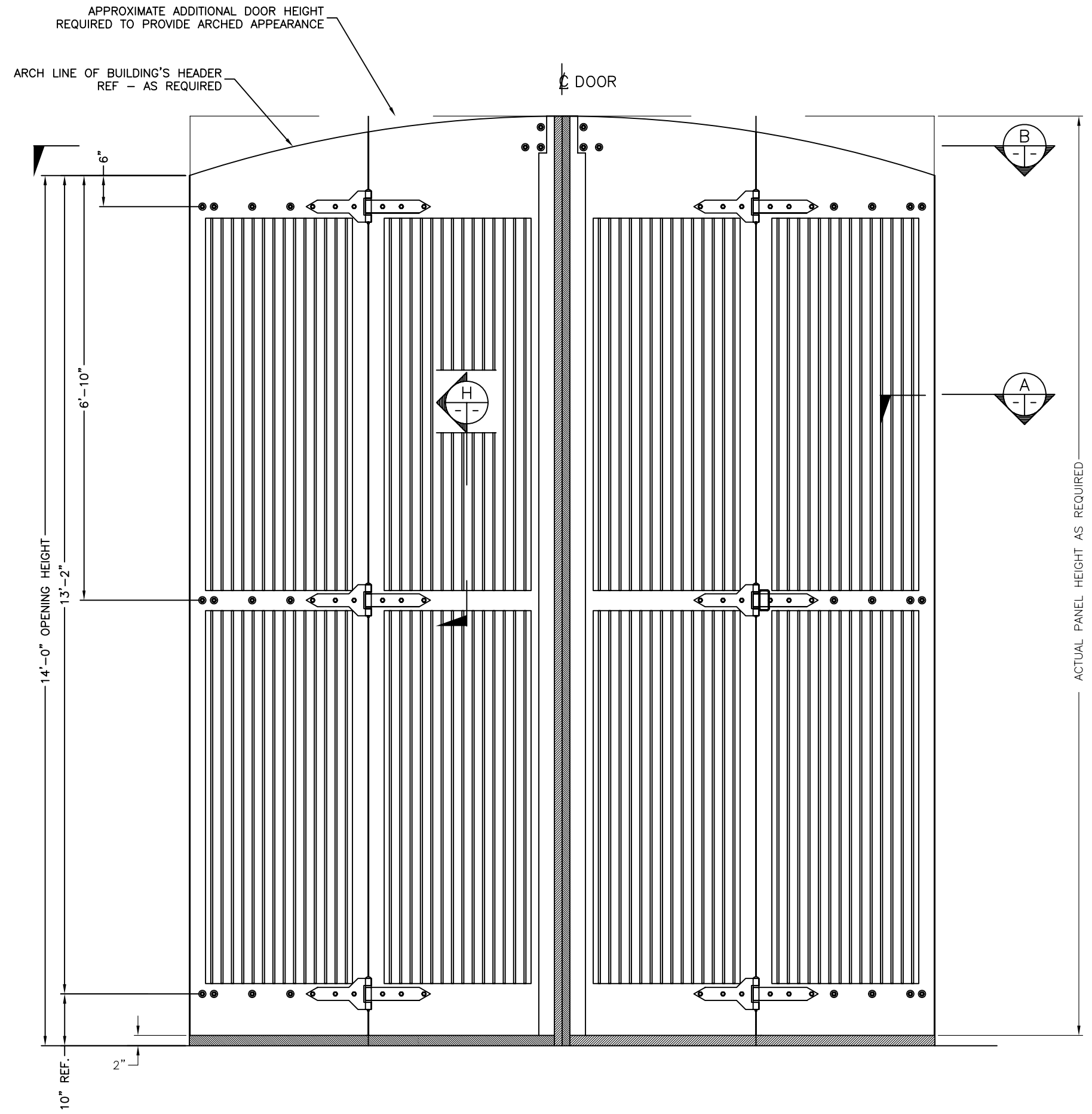
Engineering in motion

522 West 27th Street, Hibbing, Minnesota 55746
(218)263-8366

3" BARS, MODEL 45 HYDRAULIC OPERATED FOUR FOLD DOOR

SHOWN WITH A SIMULATED
ARCHED HEADER
AND
TUBE STEEL JAMB EXTENSIONS





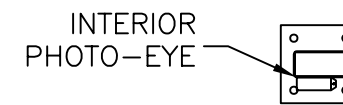
HYDRAULIC FOUR FOLD DOOR WITH SIMULATED ARCHED HEADER
EXTERIOR ELEVATION

PHOTO-EYE BOLLARDS NOT SUPPLIED,
FASTENED OR LOCATED BY
ELECTRIC POWER DOOR

1'-6" MINIMUM
NOT TO SCALE



INTERIOR
PHOTO-EYE



INTERIOR
PHOTO-EYE

SWING PATH
OF JAMB PANEL

DOOR SHOWN IN
OPEN POSITION
(105° ROTATION)

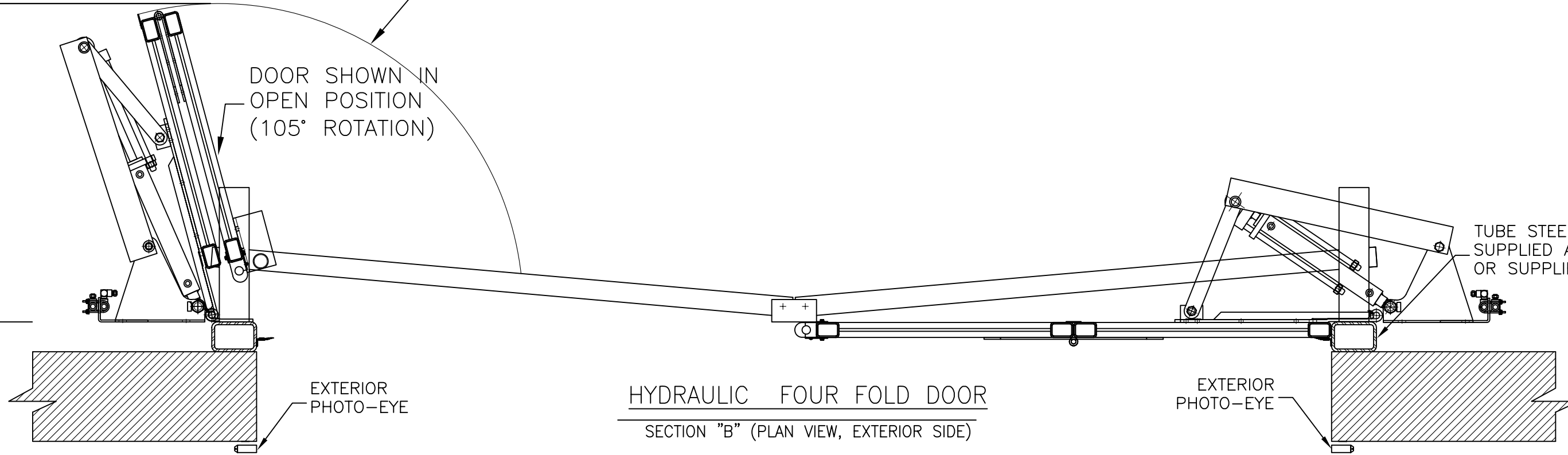
3'-6 5/8" REF

TUBE STEEL JAMB EXTENSION
SUPPLIED AS AN OPTION BY EPD
OR SUPPLIED BY OTHERS

EXTERIOR
PHOTO-EYE

EXTERIOR
PHOTO-EYE

HYDRAULIC FOUR FOLD DOOR
SECTION "B" (PLAN VIEW, EXTERIOR SIDE)



REFER TO EPD MOUNTING
TEMPLATES FOR VARIOUS
BUILDING CONSTRUCTIONS

TOP OF ARCH
ON DOOR OPENING

HEIGHT OF ARCH
AS REQUIRED

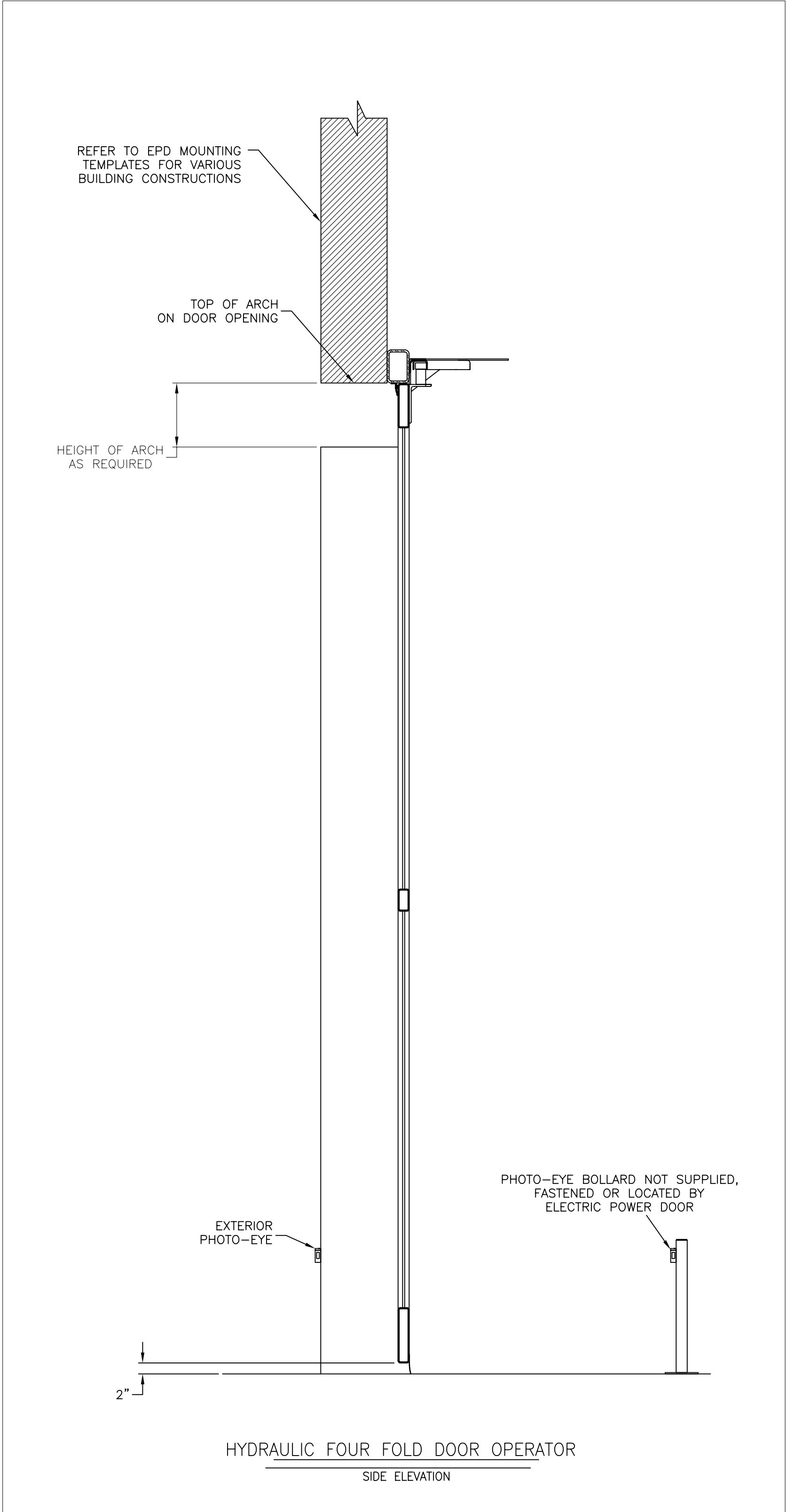
EXTERIOR
PHOTO-EYE

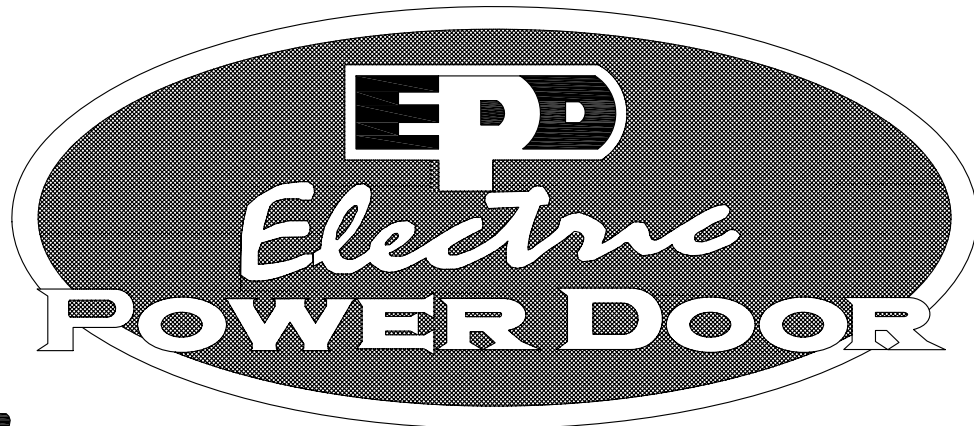
PHOTO-EYE BOLLARD NOT SUPPLIED,
FASTENED OR LOCATED BY
ELECTRIC POWER DOOR

2"

HYDRAULIC FOUR FOLD DOOR OPERATOR

SIDE ELEVATION



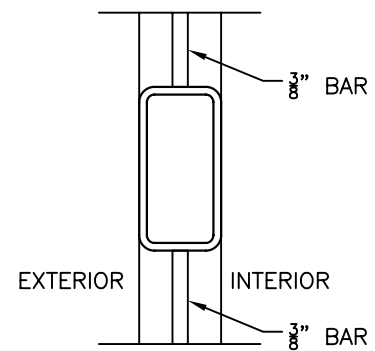
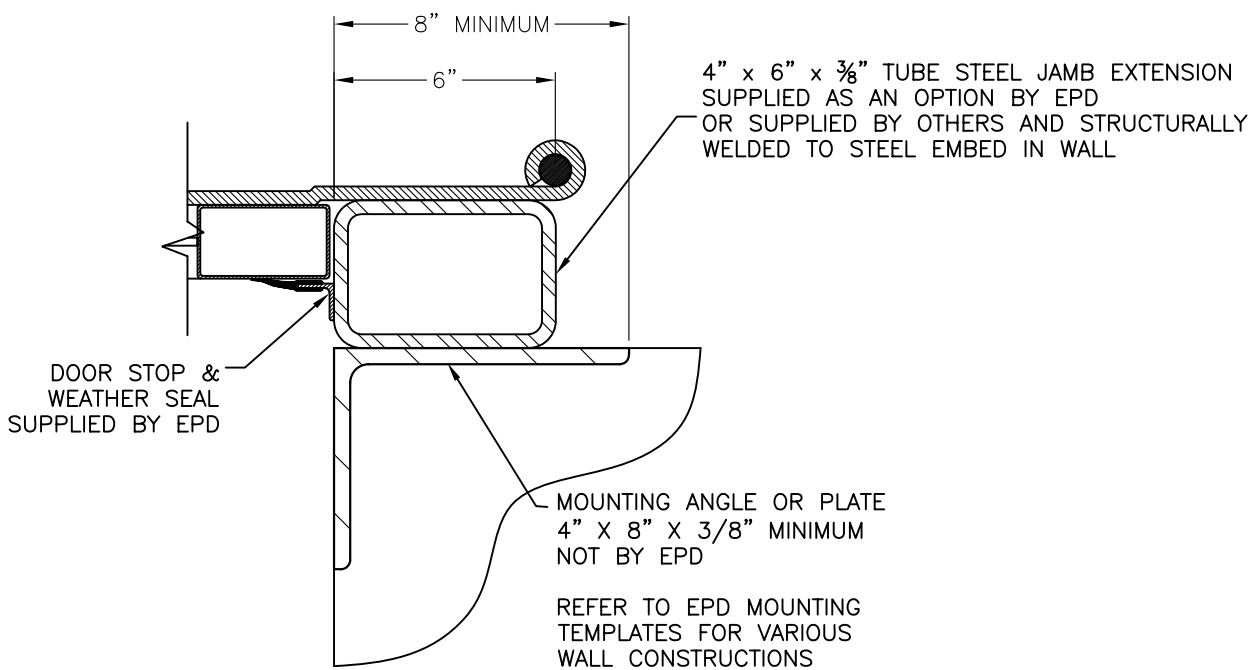


Engineering in motion

522 West 27th Street, Hibbing, Minnesota 55746
(218)263-8366

$\frac{3}{8}$ " BARS, MODEL 45
HYDRAULIC OPERATED
FOUR FOLD DOOR

SHOWN WITH A SIMULATED
ARCHED HEADER
AND
TUBE STEEL JAMB EXTENSIONS



SECTION A
TYPICAL SECTION AT DOOR JAMB

SECTION H
TYPICAL SECTION AT WINDOW FRAME