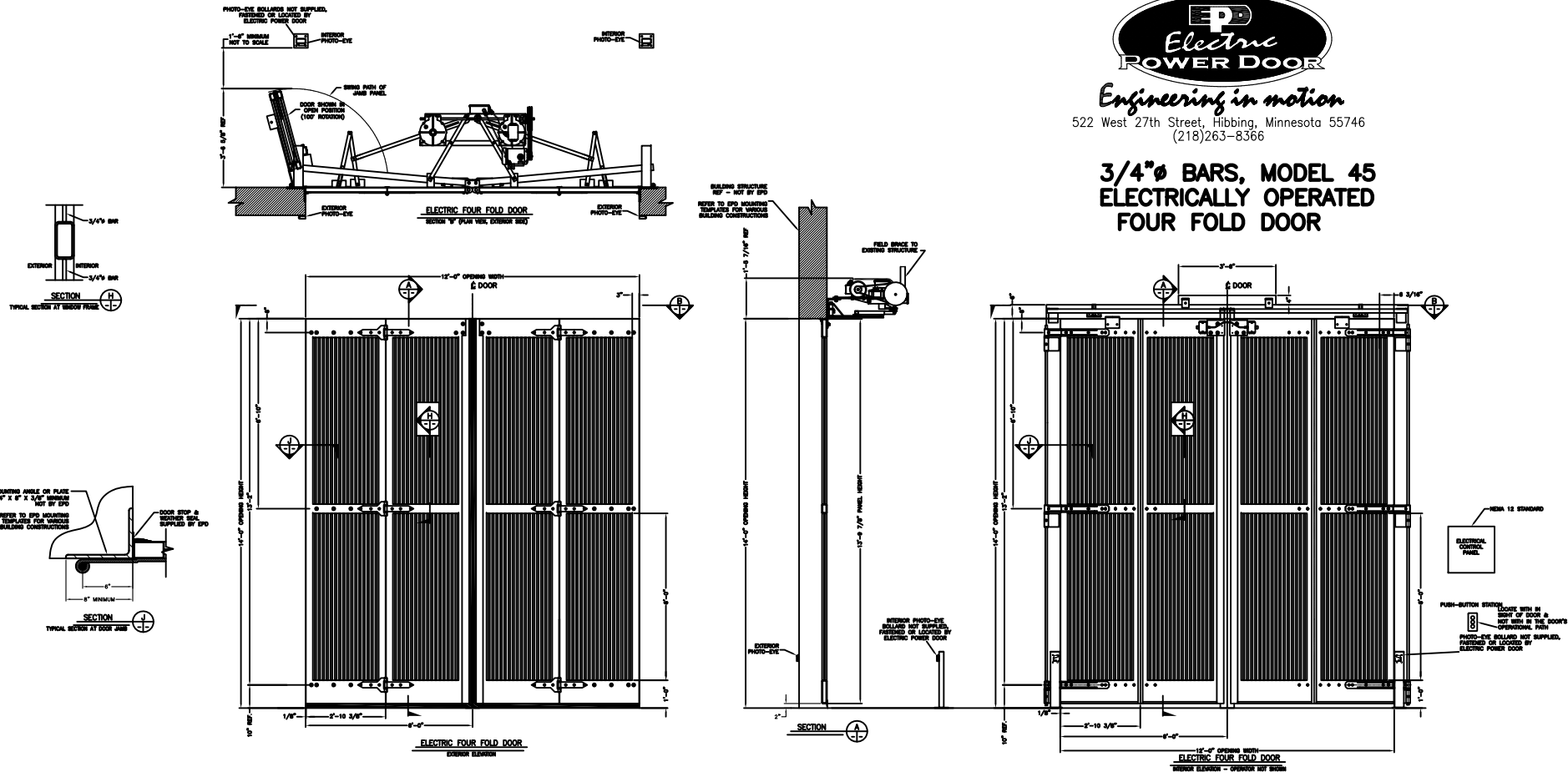




*Engineering in motion*  
522 West 27th Street, Hibbing, Minnesota 55746  
(218)263-8366

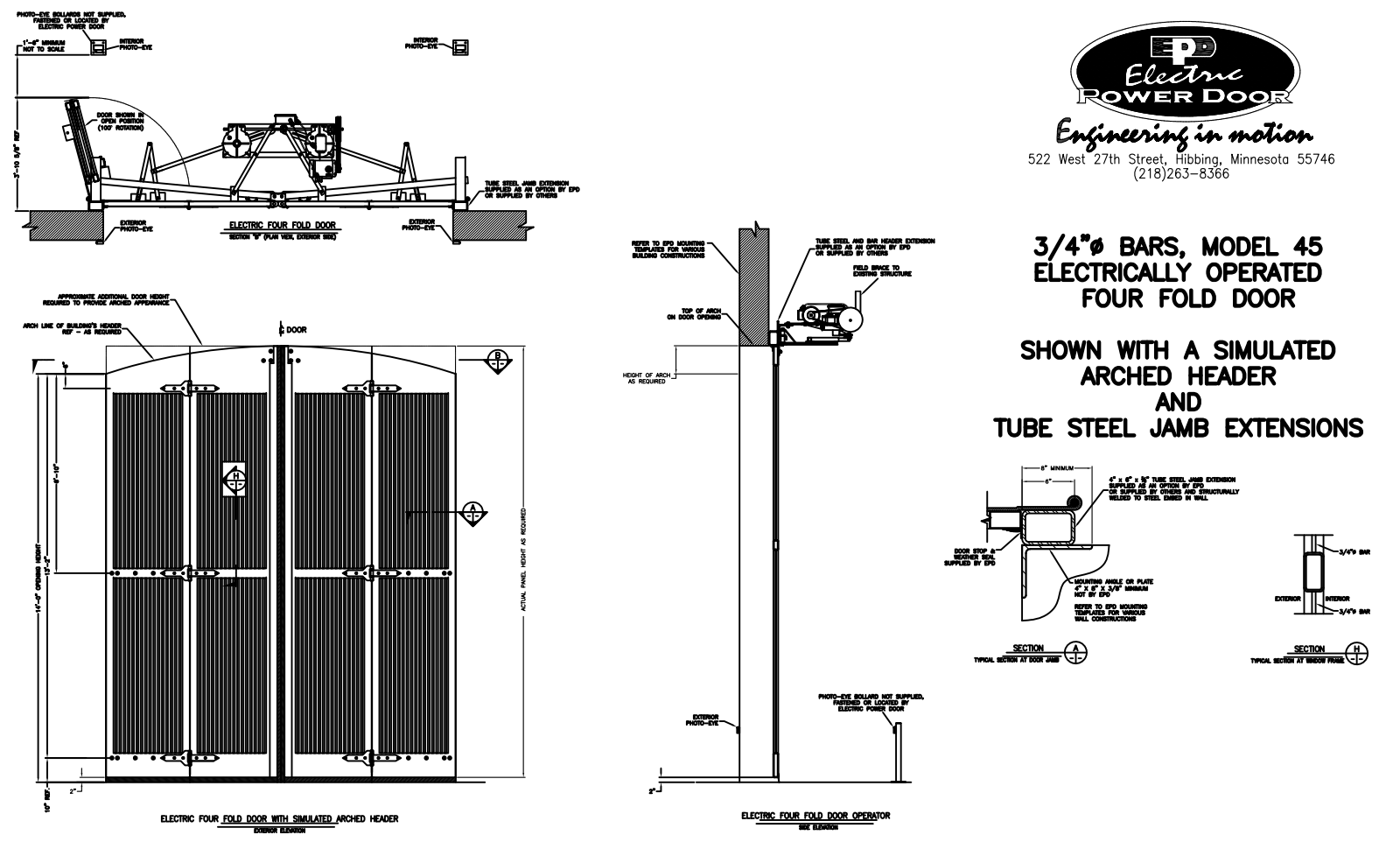
**3/4"Ø BARS, MODEL 45  
ELECTRICALLY OPERATED  
FOUR FOLD DOOR**

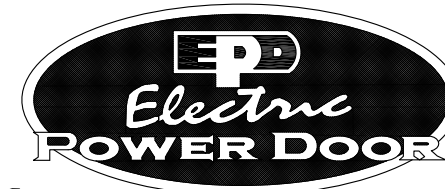


*Engineering in motion*  
522 West 27th Street, Hibbing, Minnesota 55746  
(218)263-8366

**3/4"Ø BARS, MODEL 45  
ELECTRICALLY OPERATED  
FOUR FOLD DOOR**

**SHOWN WITH A SIMULATED  
ARCHED HEADER  
AND  
TUBE STEEL JAMB EXTENSIONS**

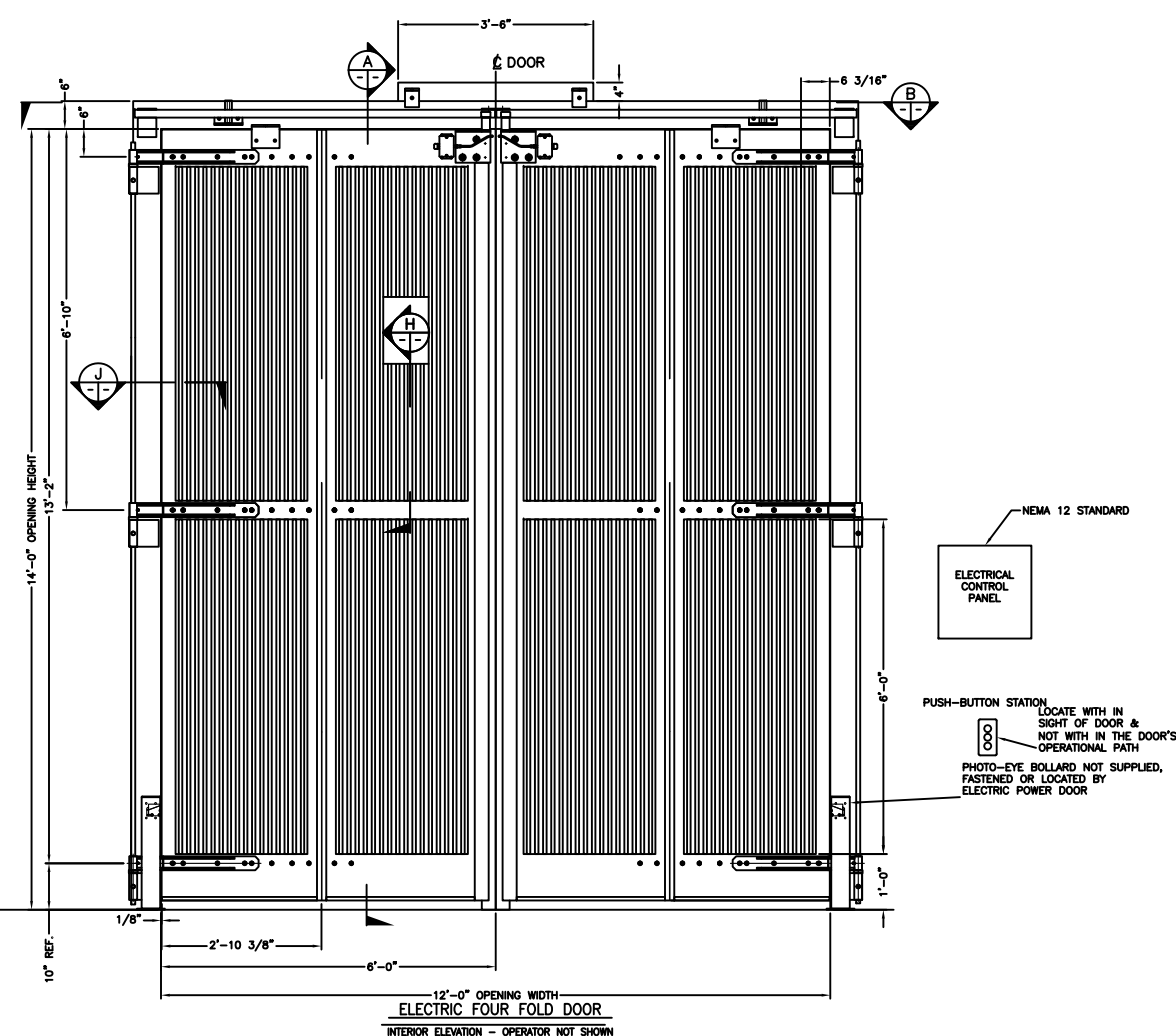
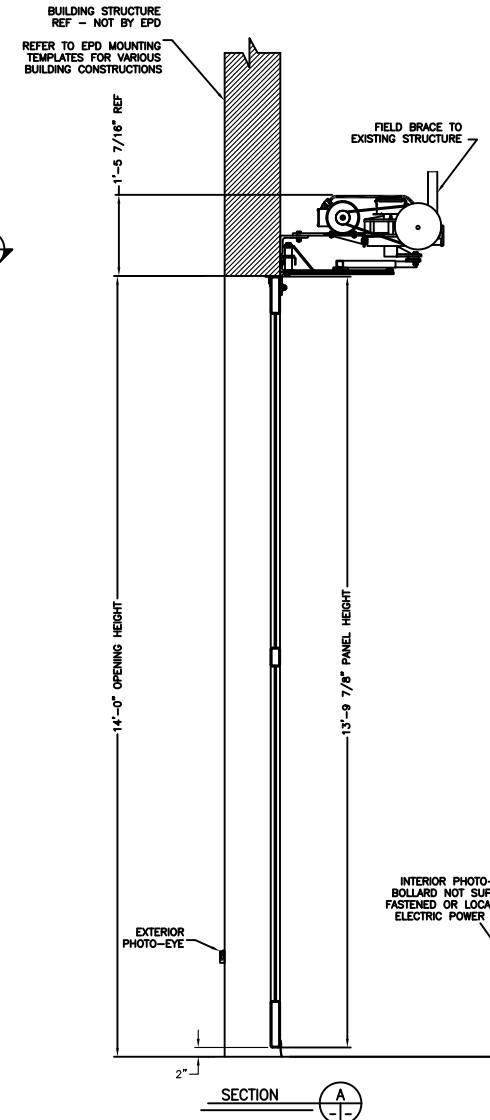
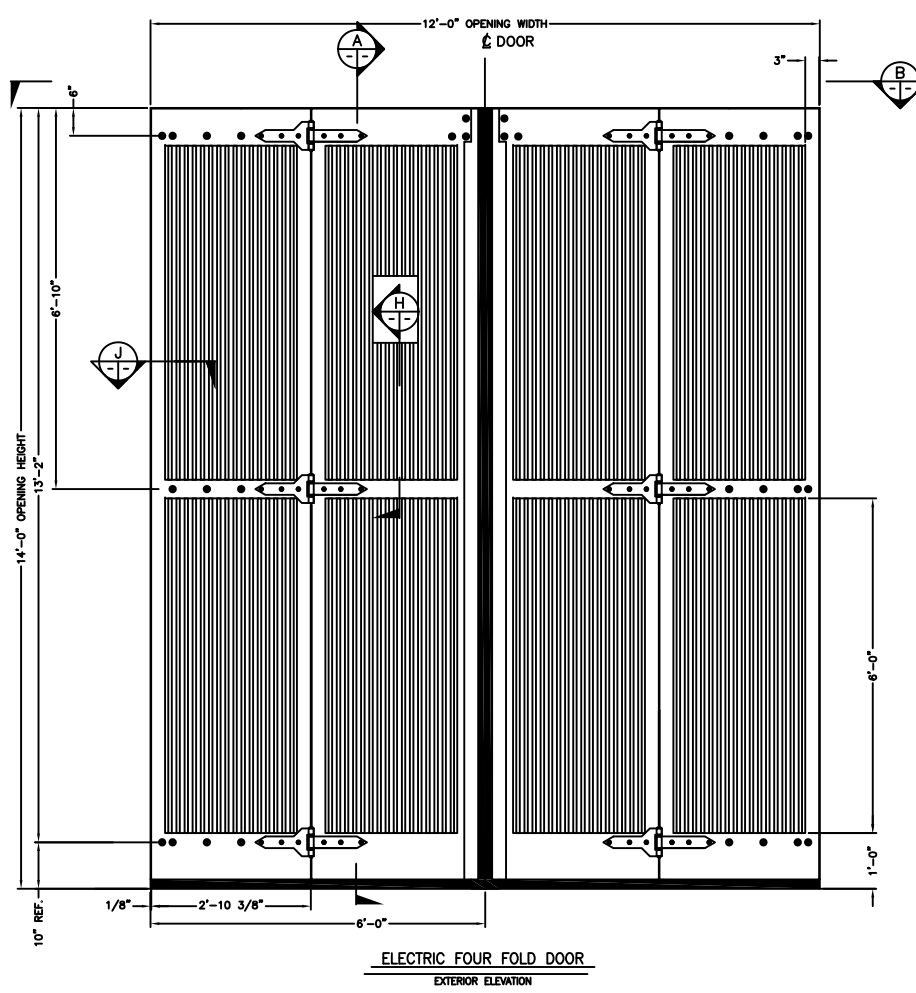
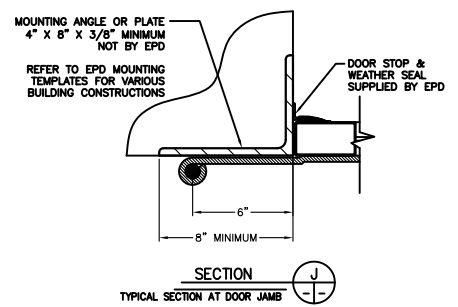
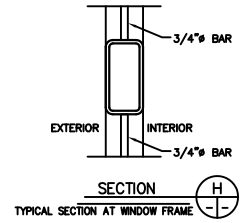
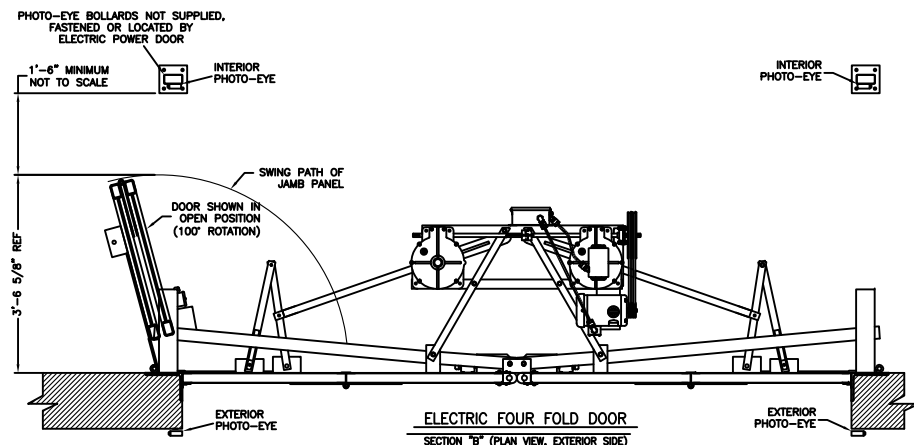


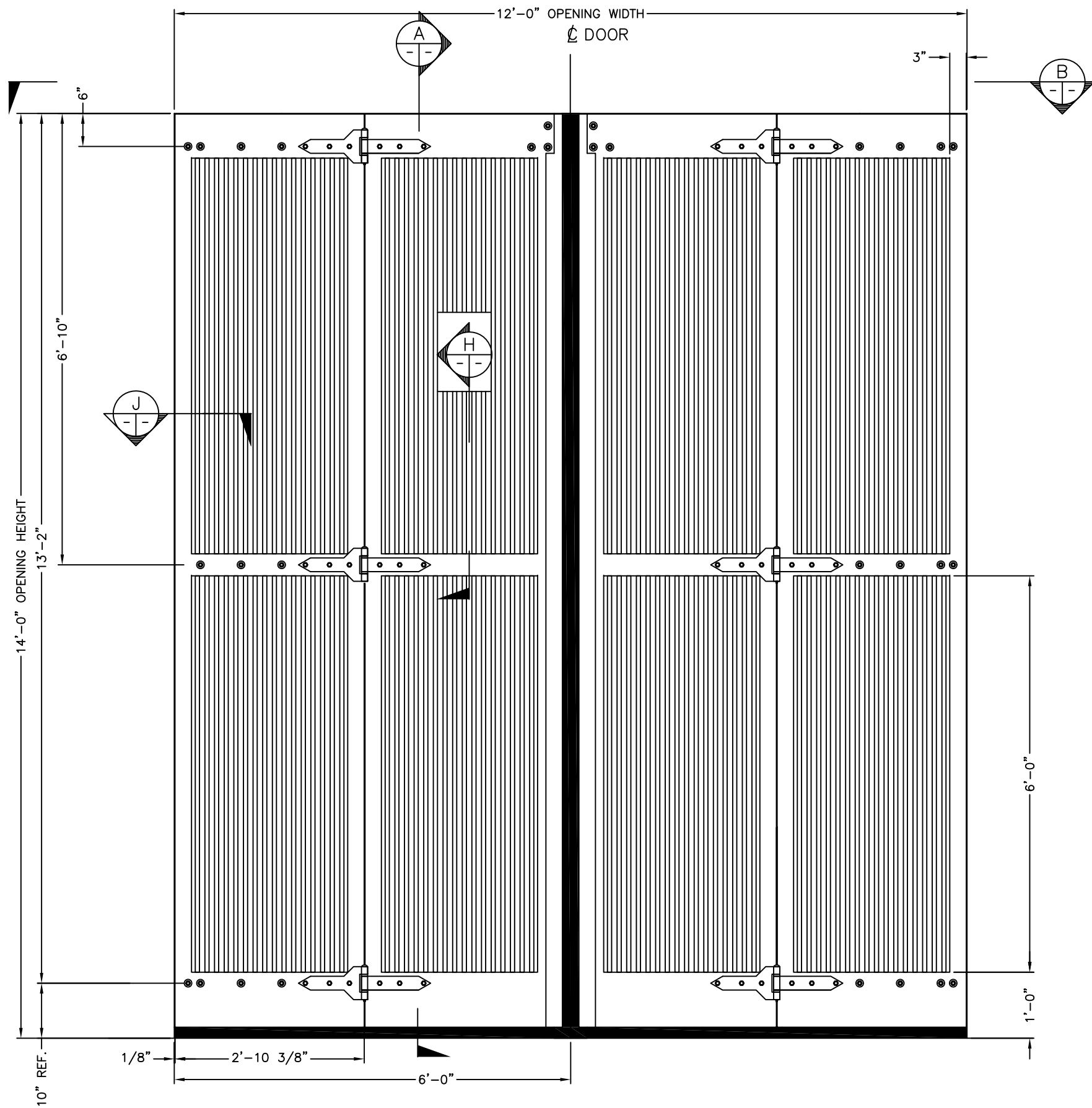


*Engineering in motion*

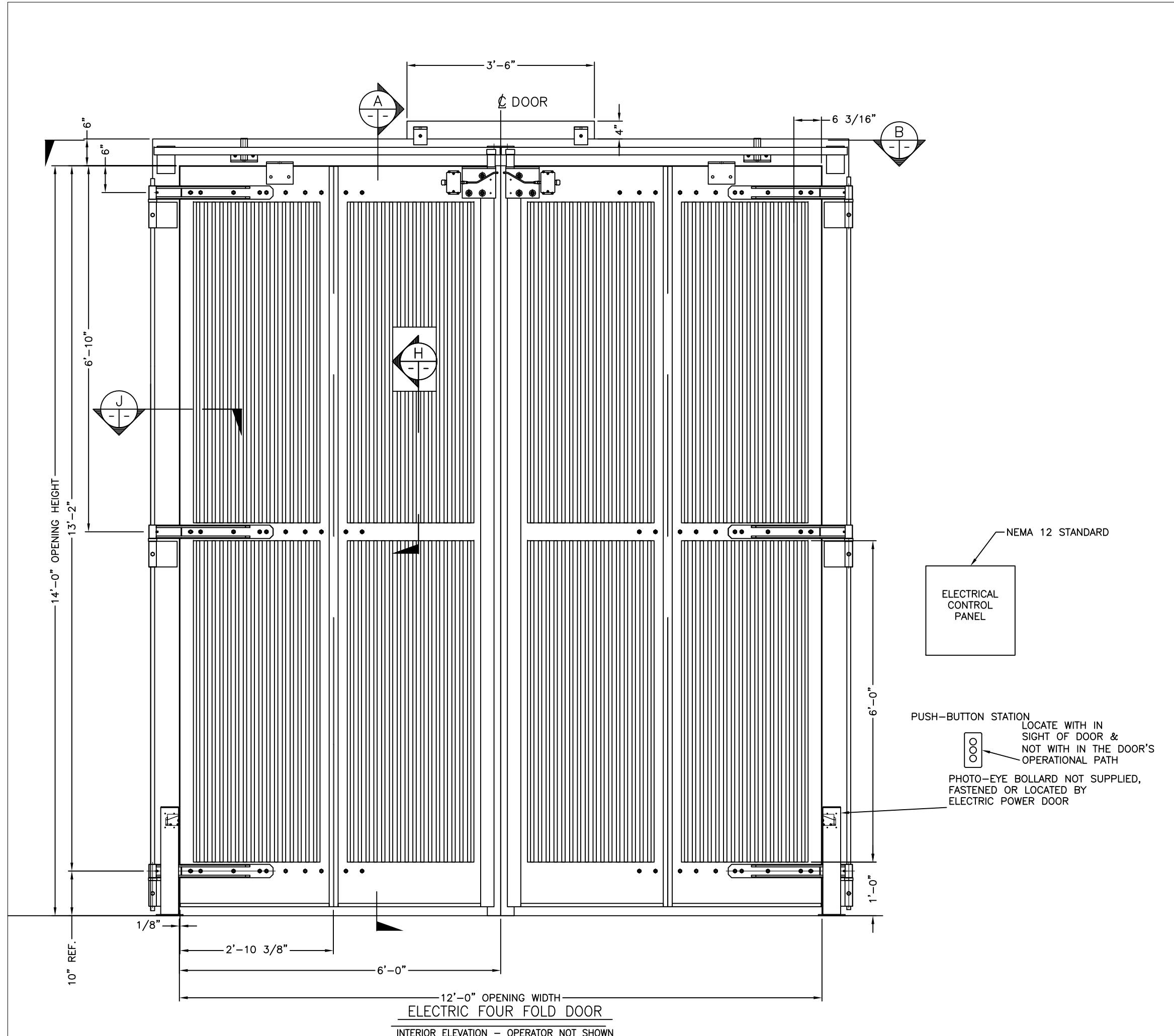
522 West 27th Street, Hibbing, Minnesota 55746  
(218)263-8366

**3/4"Ø BARS, MODEL 45  
ELECTRICALLY OPERATED  
FOUR FOLD DOOR**





ELECTRIC FOUR FOLD DOOR  
EXTERIOR ELEVATION



14'-0" OPENING HEIGHT

13'-2"  
6"  
6"

10" REF.

1/8"

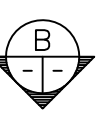
2'-10 3/8"

6'-0"

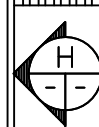
12'-0" OPENING WIDTH  
ELECTRIC FOUR FOLD DOOR

INTERIOR ELEVATION - OPERATOR NOT SHOWN

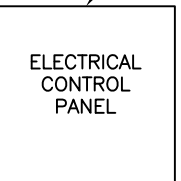
3'-6"  
DOOR



6 3/16"



NEMA 12 STANDARD



ELECTRICAL CONTROL PANEL

PUSH-BUTTON STATION  
LOCATE WITH IN  
SIGHT OF DOOR &  
NOT WITH IN THE DOOR'S  
OPERATIONAL PATH



PHOTO-EYE BOLLARD NOT SUPPLIED,  
FASTENED OR LOCATED BY  
ELECTRIC POWER DOOR

6'-0"

1'-0"

PHOTO-EYE BOLLARDS NOT SUPPLIED,  
FASTENED OR LOCATED BY  
ELECTRIC POWER DOOR

1'-6" MINIMUM  
NOT TO SCALE

INTERIOR  
PHOTO-EYE

INTERIOR  
PHOTO-EYE

SWING PATH OF  
JAMB PANEL

DOOR SHOWN IN  
OPEN POSITION  
(100° ROTATION)

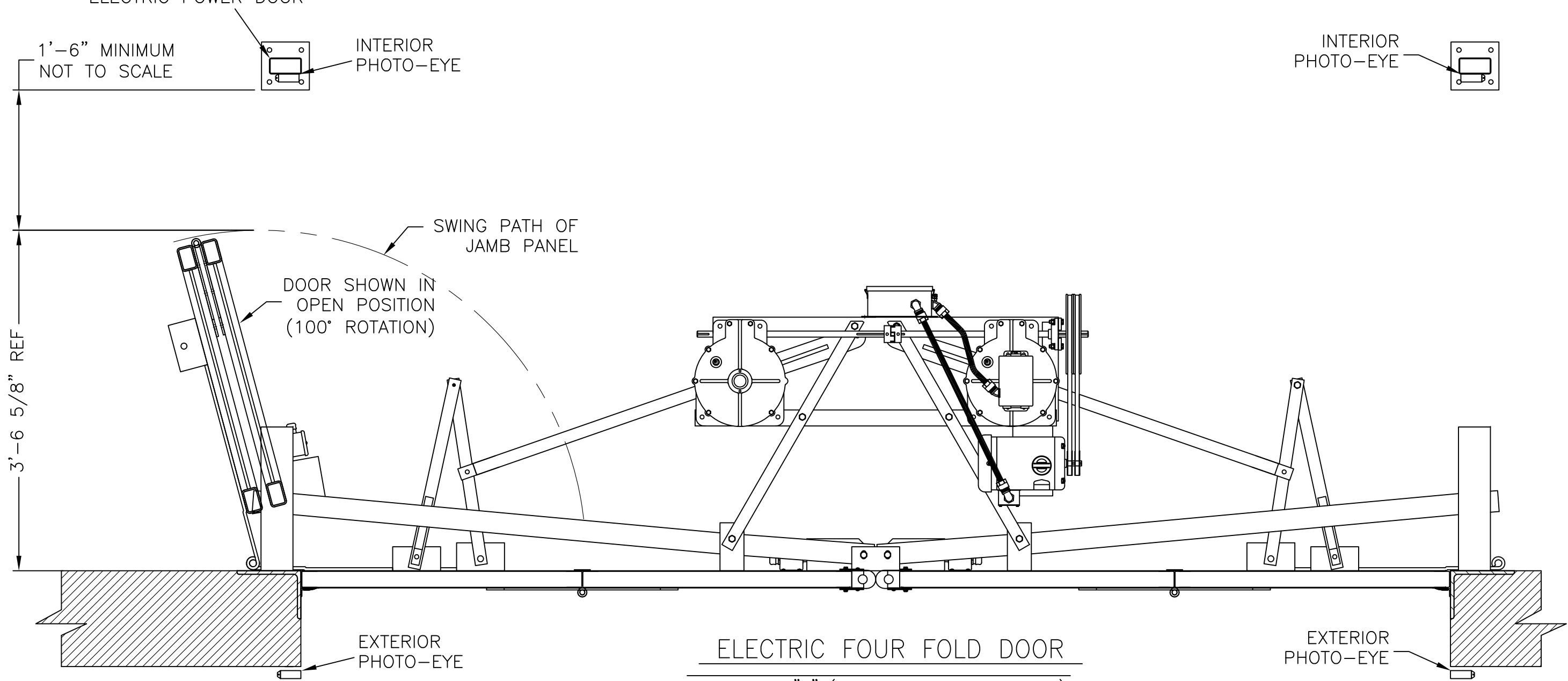
3'-6 5/8" REF

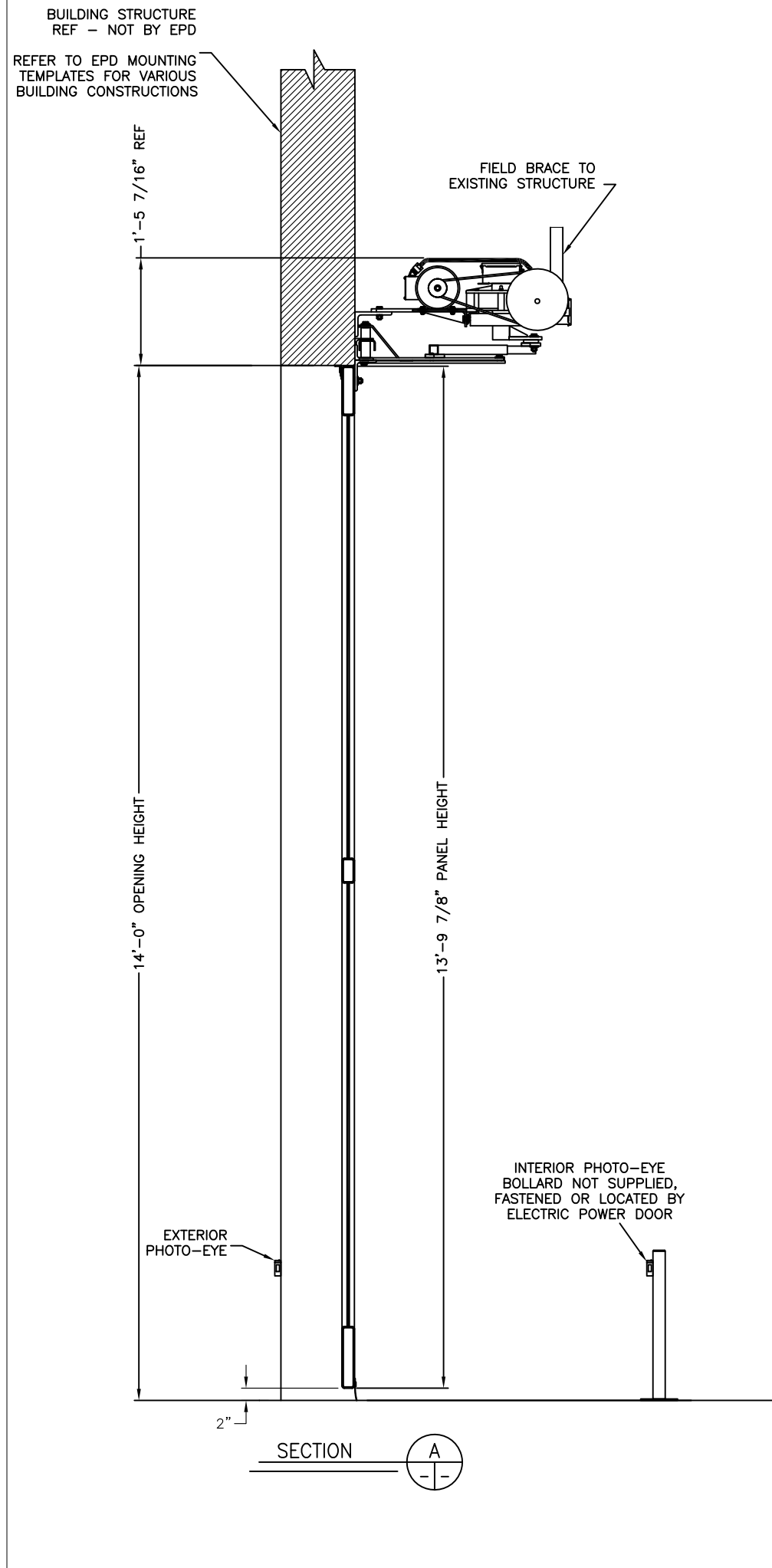
EXTERIOR  
PHOTO-EYE

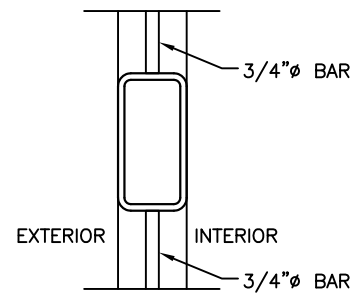
EXTERIOR  
PHOTO-EYE

ELECTRIC FOUR FOLD DOOR

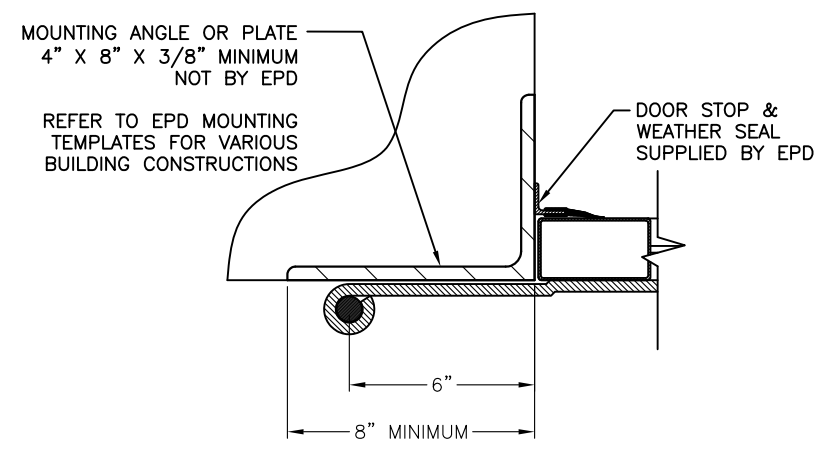
SECTION "B" (PLAN VIEW, EXTERIOR SIDE)



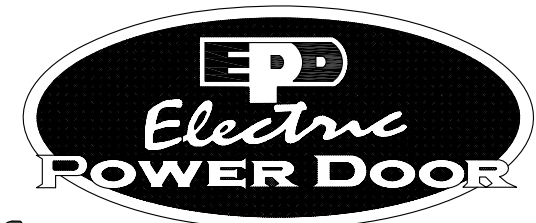




SECTION H  
 TYPICAL SECTION AT WINDOW FRAME



SECTION J  
 TYPICAL SECTION AT DOOR JAMB

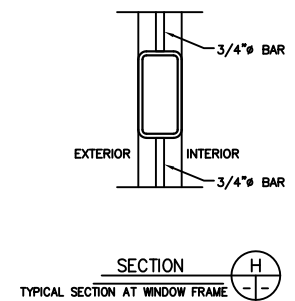
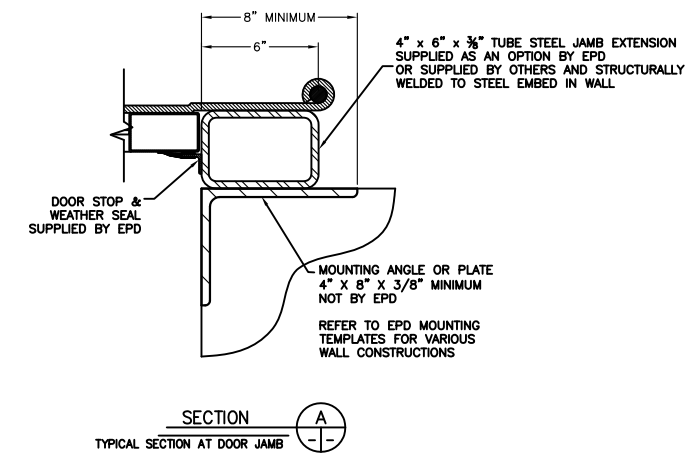
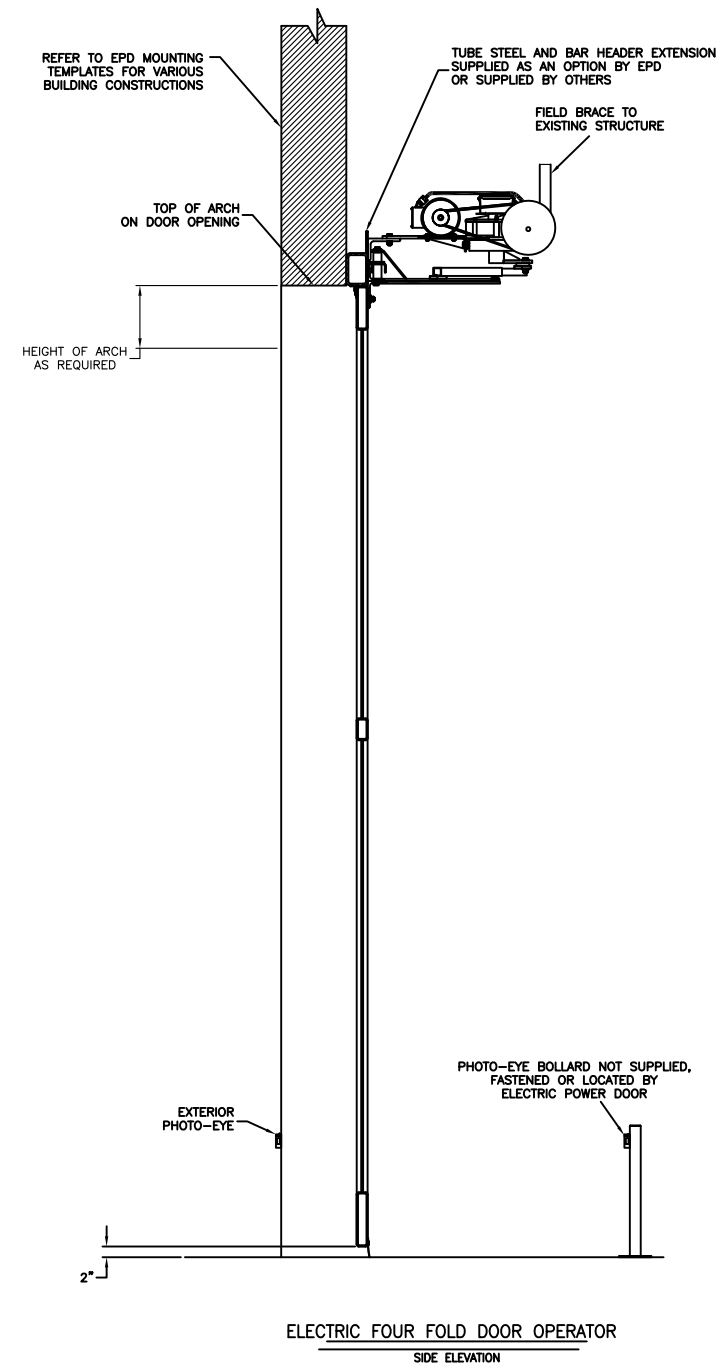
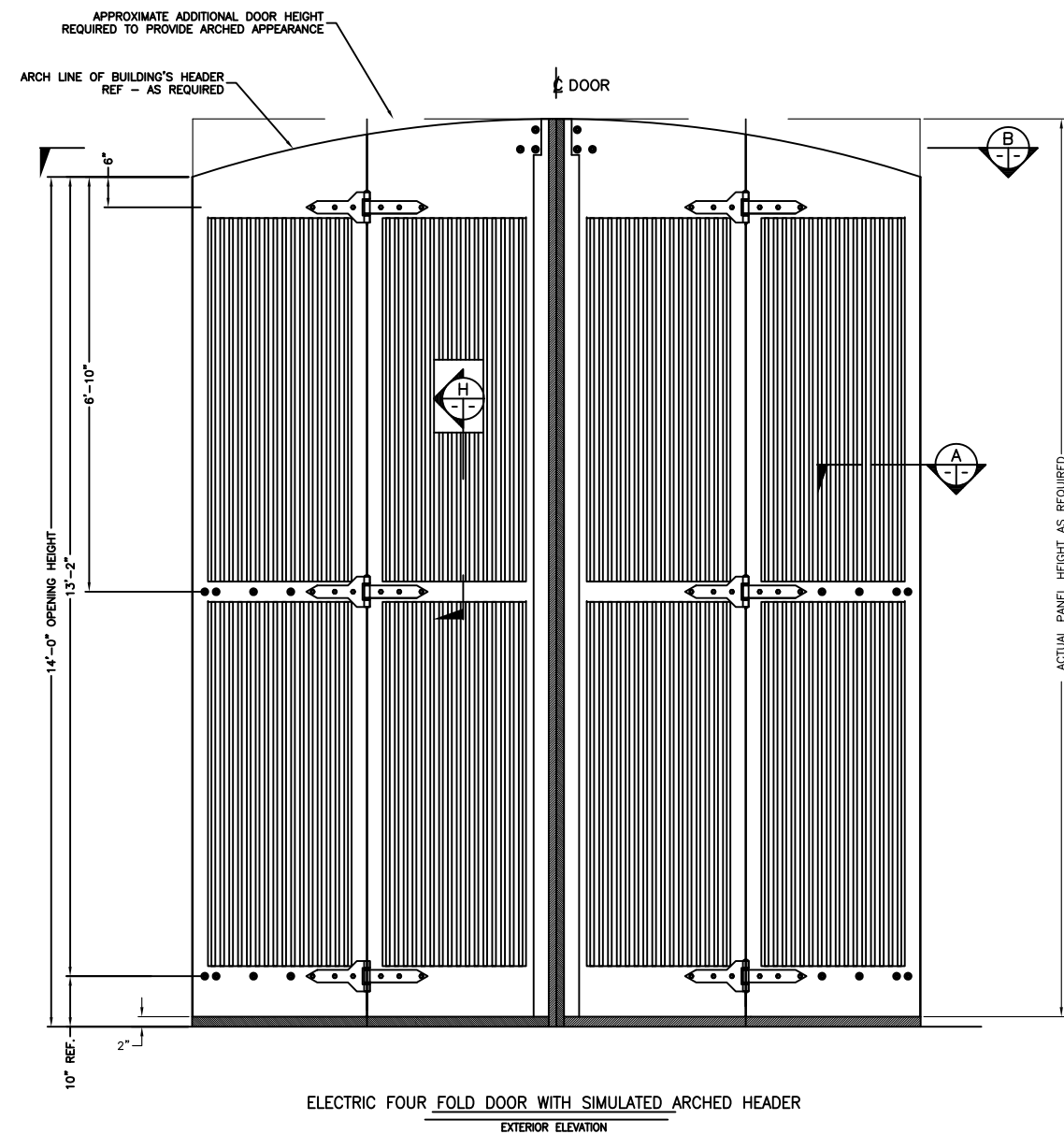
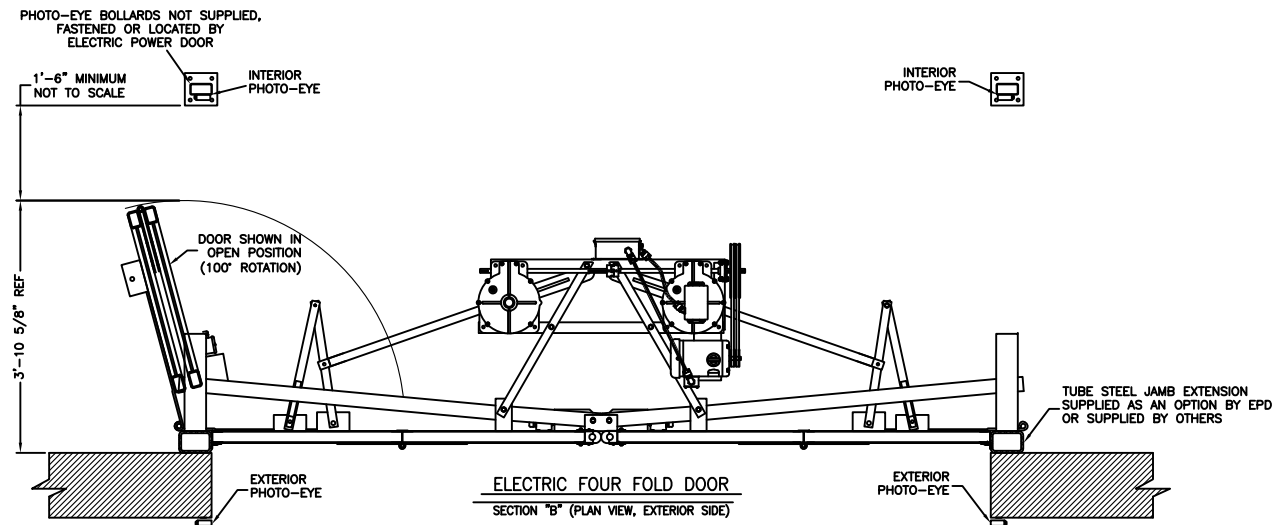


*Engineering in motion*

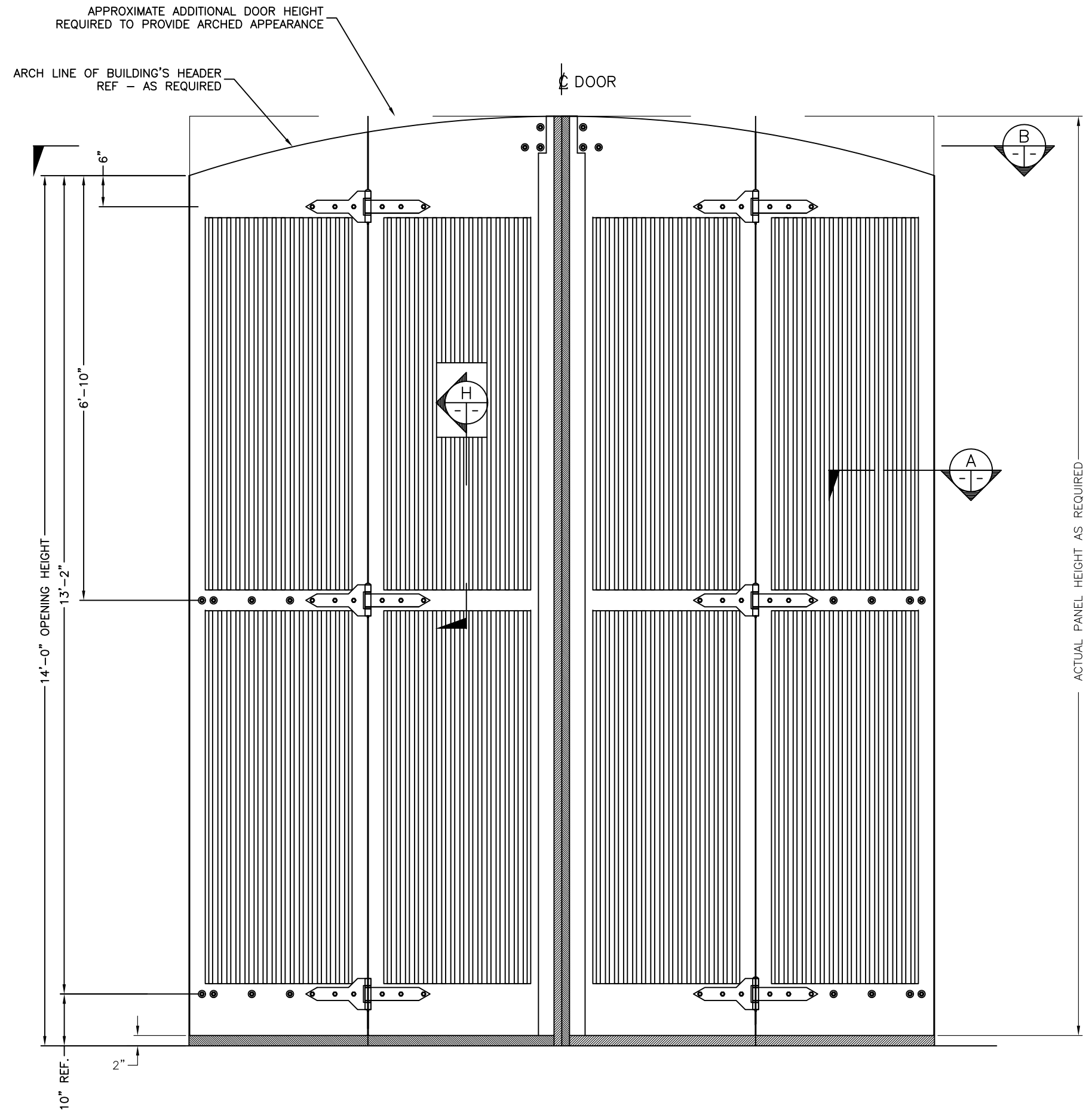
522 West 27th Street, Hibbing, Minnesota 55746  
(218)263-8366

## 3/4"Ø BARS, MODEL 45 ELECTRICALLY OPERATED FOUR FOLD DOOR

SHOWN WITH A SIMULATED  
ARCHED HEADER  
AND  
TUBE STEEL JAMB EXTENSIONS







ELECTRIC FOUR FOLD DOOR WITH SIMULATED ARCHED HEADER  
 EXTERIOR ELEVATION

PHOTO-EYE BOLLARDS NOT SUPPLIED,  
FASTENED OR LOCATED BY  
ELECTRIC POWER DOOR

1'-6" MINIMUM  
NOT TO SCALE

INTERIOR  
PHOTO-EYE

INTERIOR  
PHOTO-EYE

DOOR SHOWN IN  
OPEN POSITION  
(100° ROTATION)

3'-10 5/8" REF

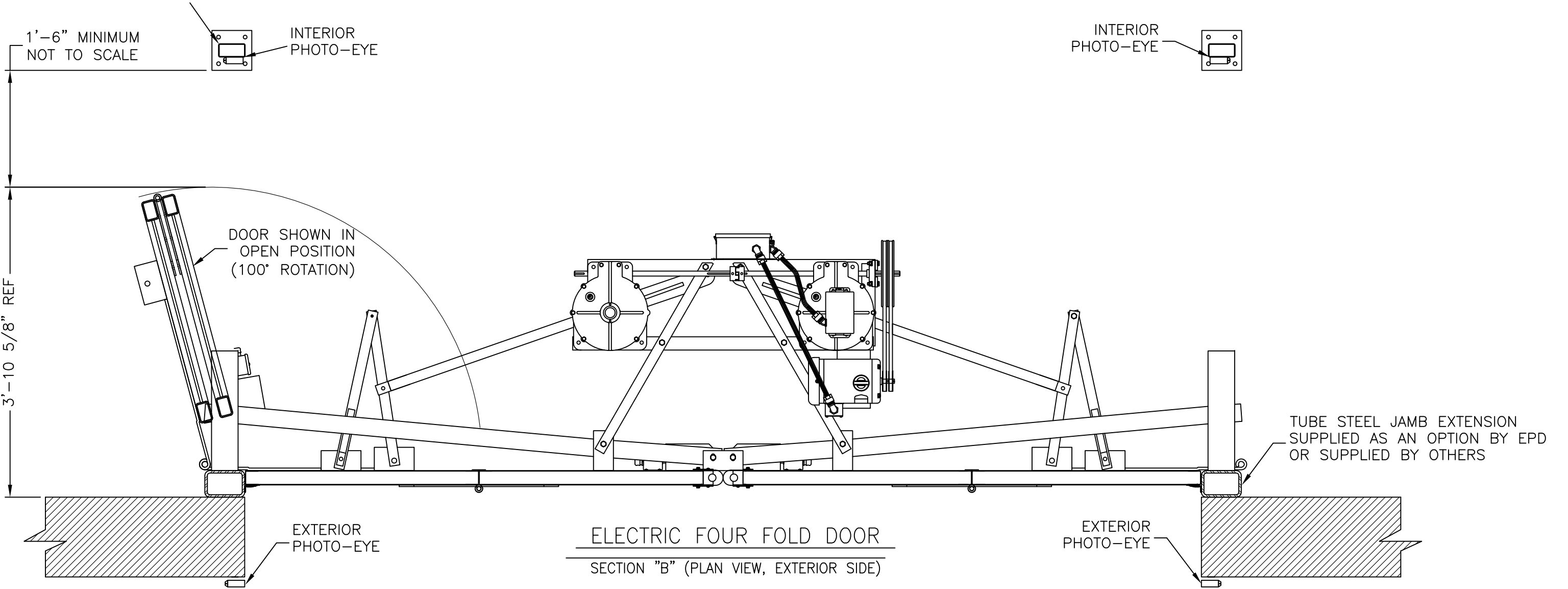
TUBE STEEL JAMB EXTENSION  
SUPPLIED AS AN OPTION BY EPD  
OR SUPPLIED BY OTHERS

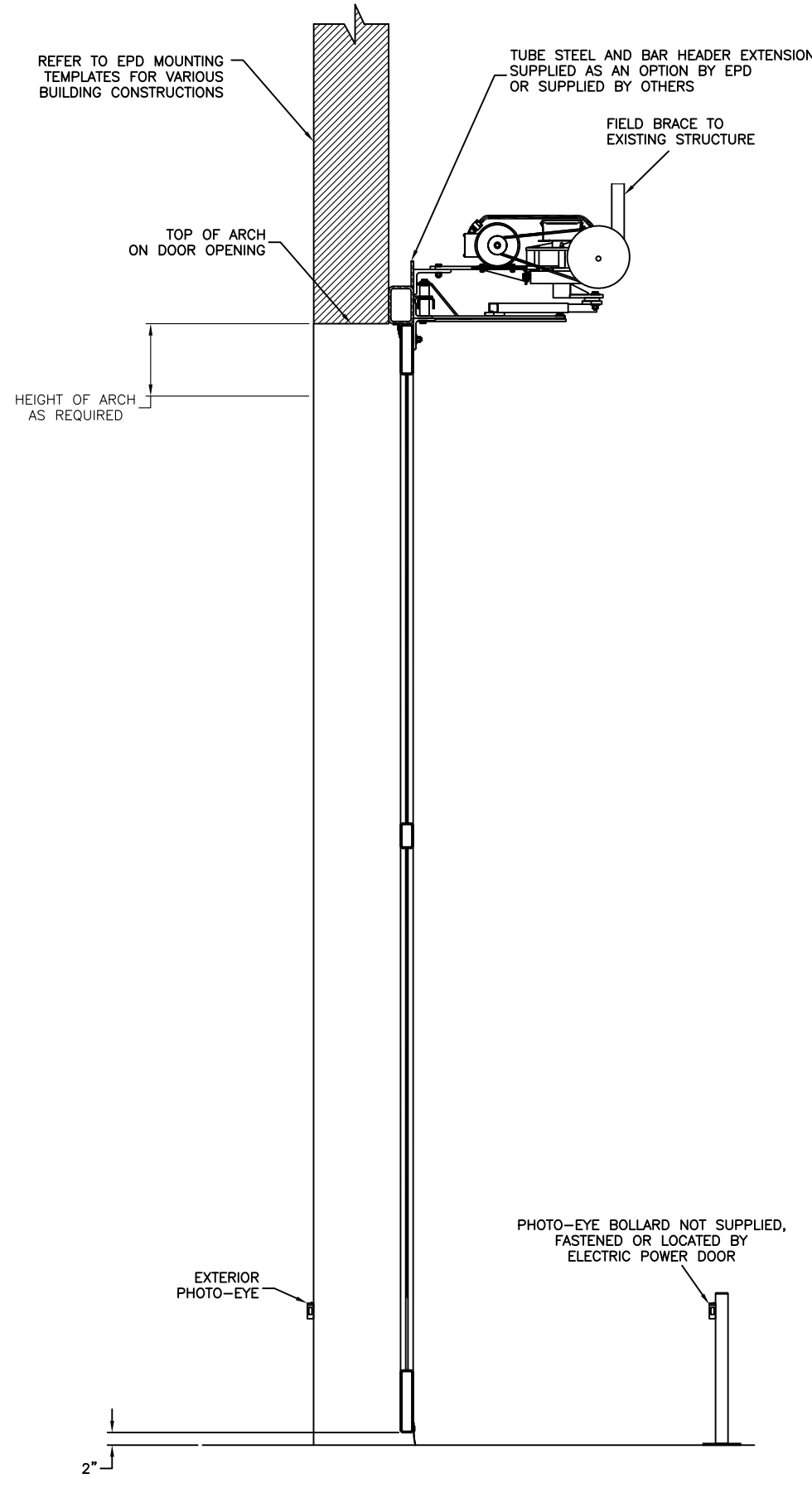
EXTERIOR  
PHOTO-EYE

EXTERIOR  
PHOTO-EYE

ELECTRIC FOUR FOLD DOOR

SECTION "B" (PLAN VIEW, EXTERIOR SIDE)





REFER TO EPD MOUNTING TEMPLATES FOR VARIOUS BUILDING CONSTRUCTIONS

TUBE STEEL AND BAR HEADER EXTENSION SUPPLIED AS AN OPTION BY EPD OR SUPPLIED BY OTHERS

FIELD BRACE TO EXISTING STRUCTURE

TOP OF ARCH ON DOOR OPENING

HEIGHT OF ARCH AS REQUIRED

EXTERIOR PHOTO-EYE

PHOTO-EYE BOLLARD NOT SUPPLIED, FASTENED OR LOCATED BY ELECTRIC POWER DOOR

2"

ELECTRIC FOUR FOLD DOOR OPERATOR  
SIDE ELEVATION



*operating in motion*

522 West 27th Street, Hibbing, Minnesota 55746  
(218)263-8366

# 3/4"Ø BARS, MODEL 45 ELECTRICALLY OPERATED FOUR FOLD DOOR

## SHOWN WITH A SIMULATED ARCHED HEADER AND TUBE STEEL JAMB EXTENSIONS

