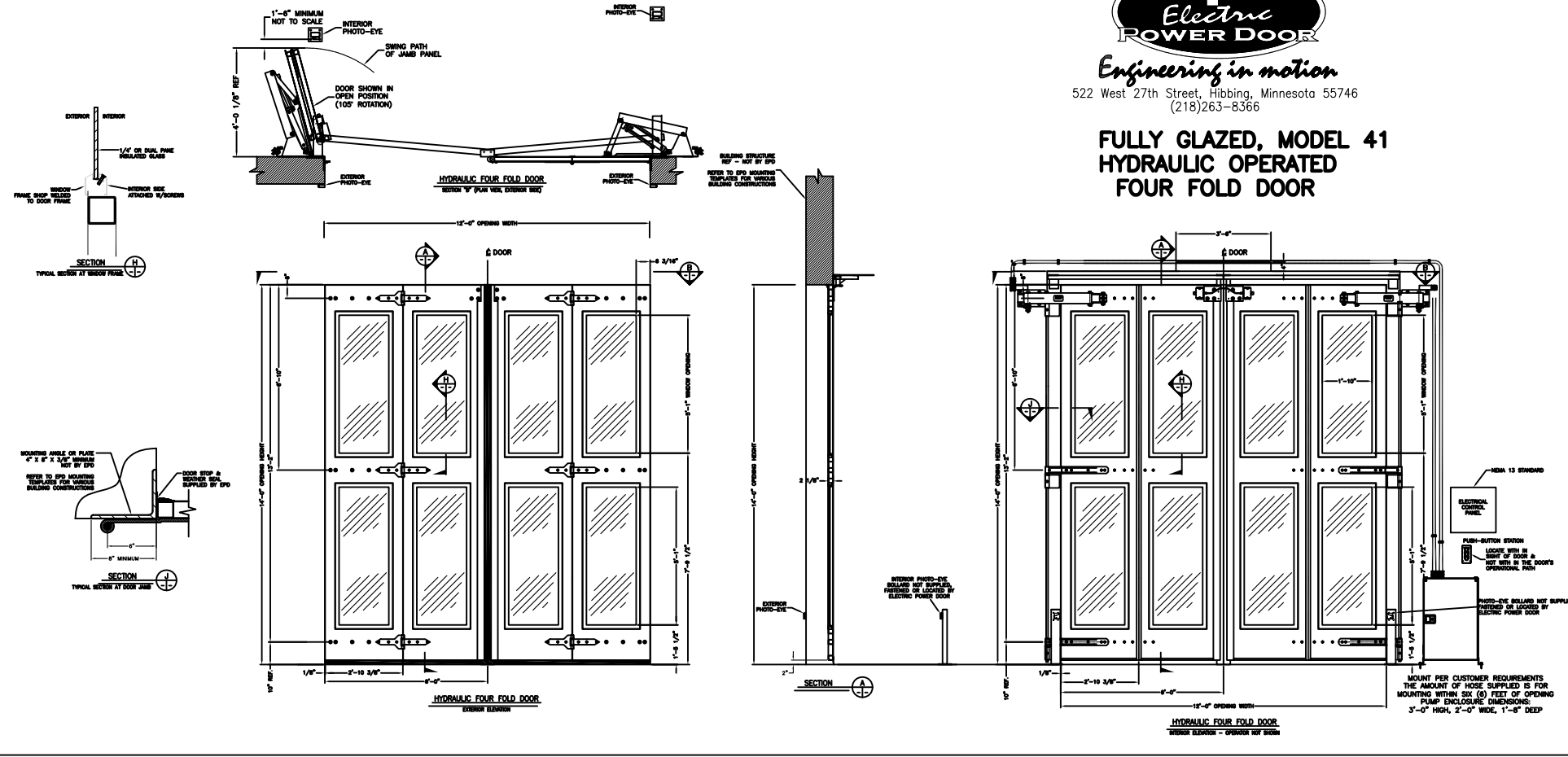




Engineering in motion

522 West 27th Street, Hibbing, Minnesota 55746
(218)263-8366

FULLY GLAZED, MODEL 41 HYDRAULIC OPERATED FOUR FOLD DOOR

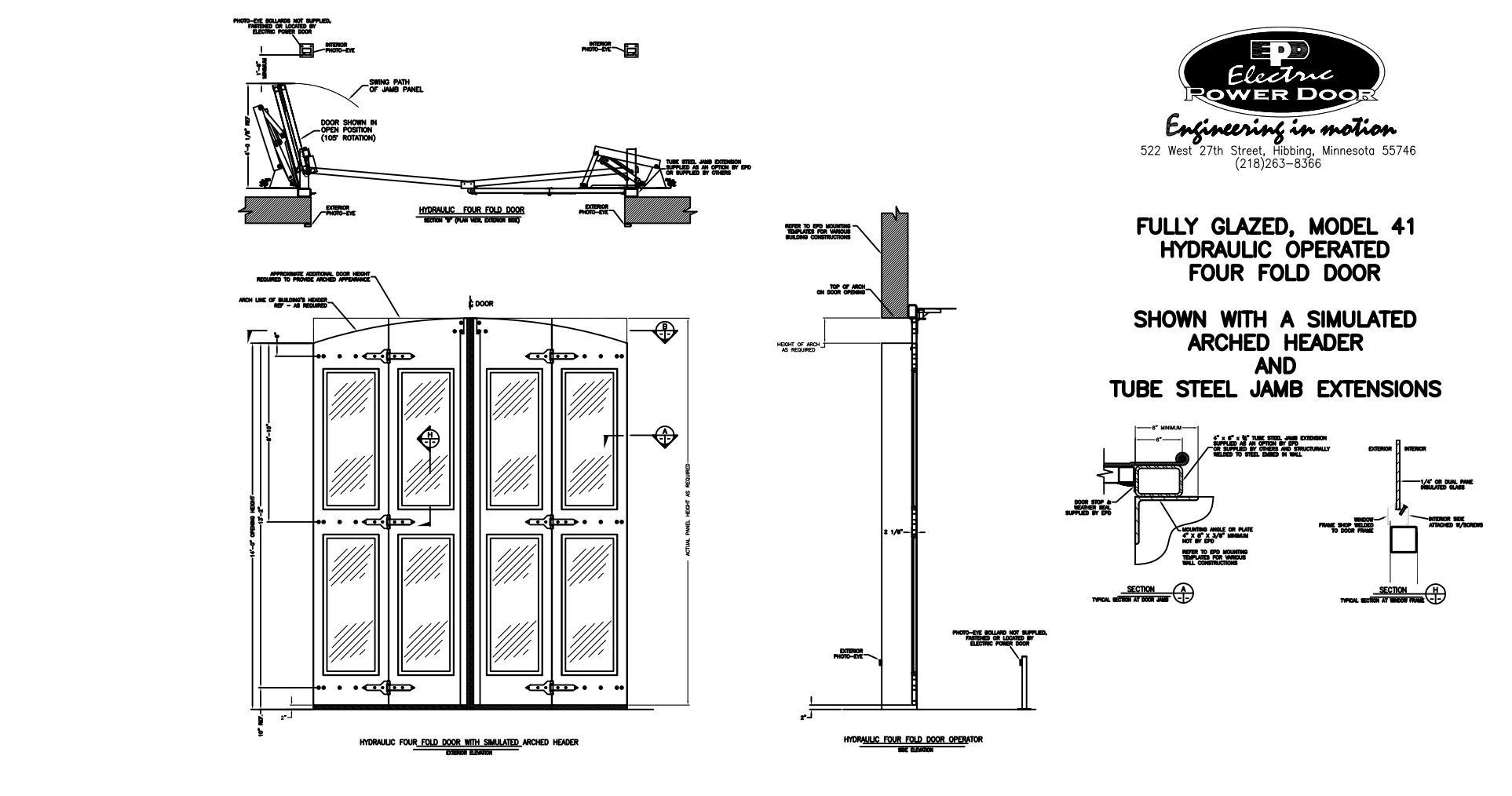


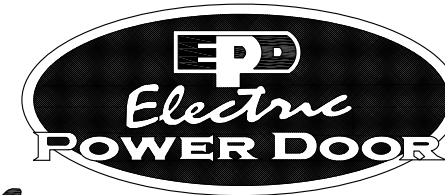
Engineering in motion

522 West 27th Street, Hibbing, Minnesota 55746
(218)263-8366

FULLY GLAZED, MODEL 41 HYDRAULIC OPERATED FOUR FOLD DOOR

SHOWN WITH A SIMULATED
ARCHED HEADER
AND
TUBE STEEL JAMB EXTENSIONS

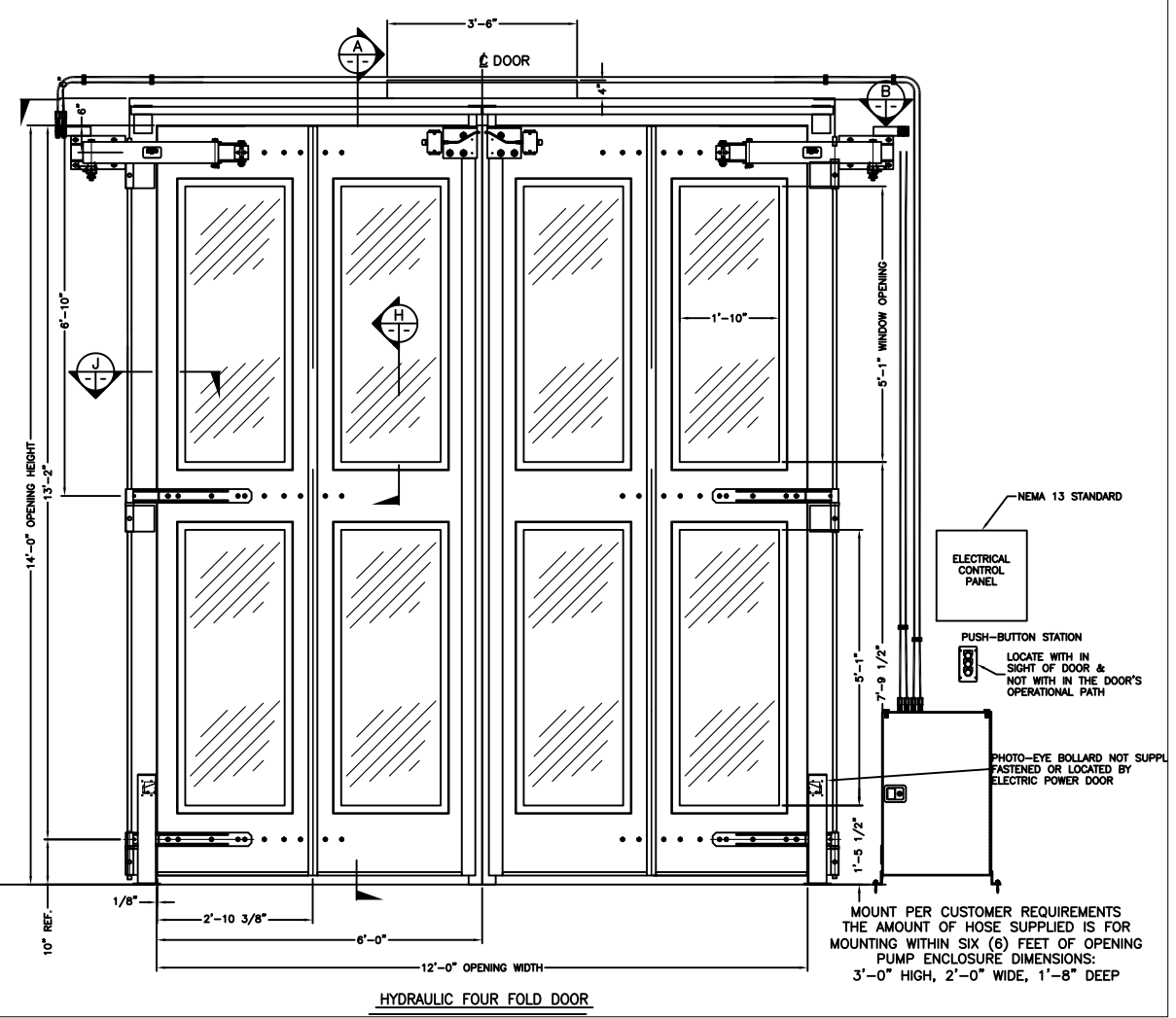
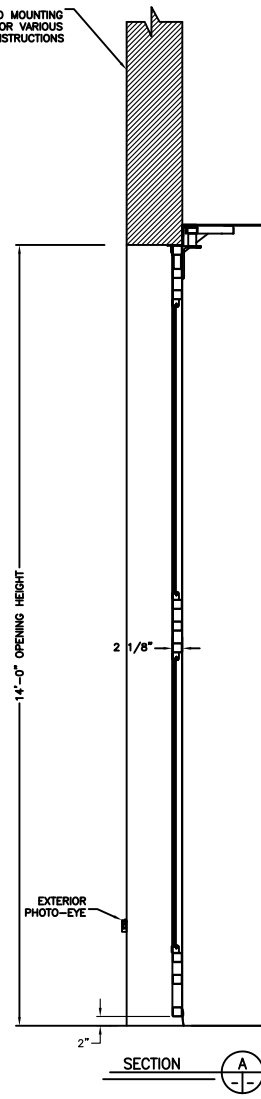
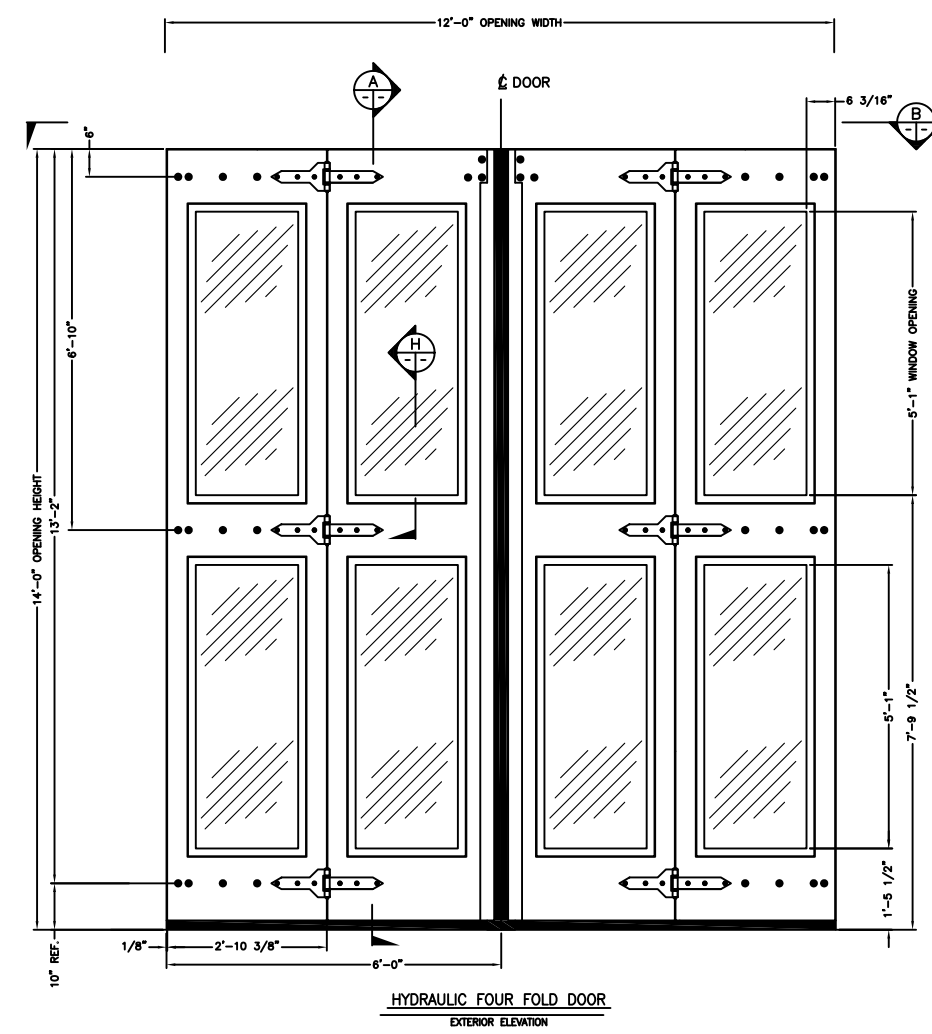
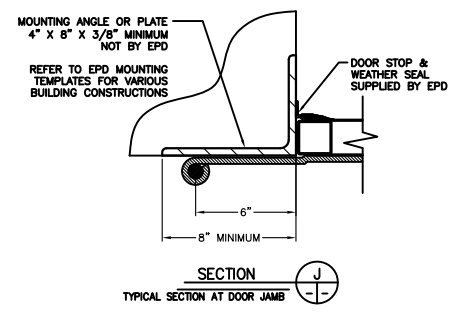
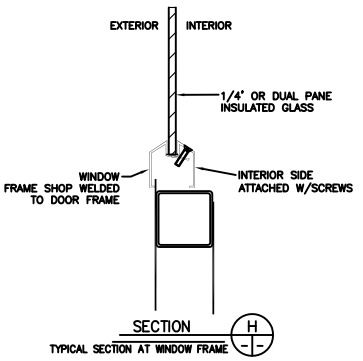
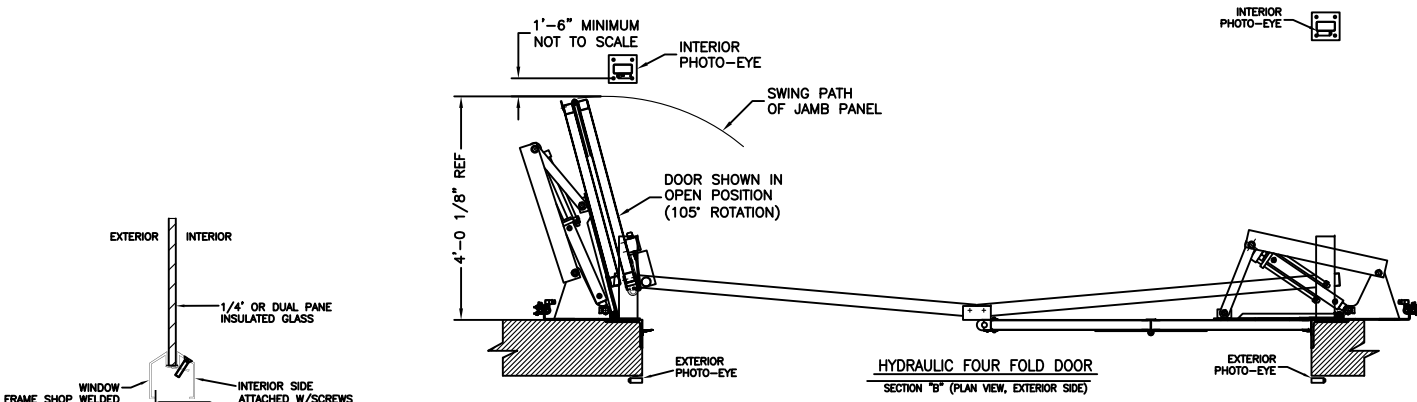


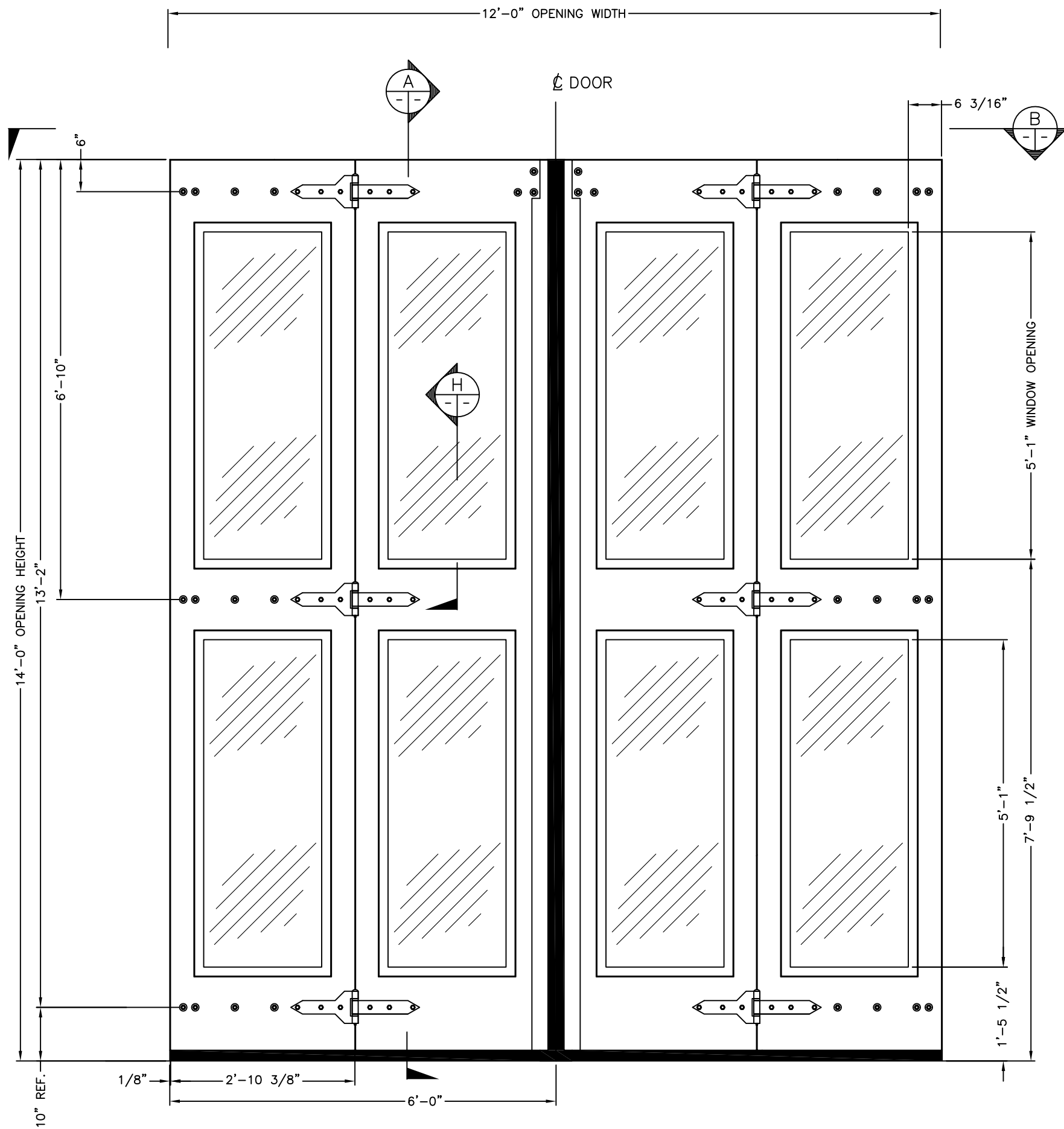


Engineering in motion

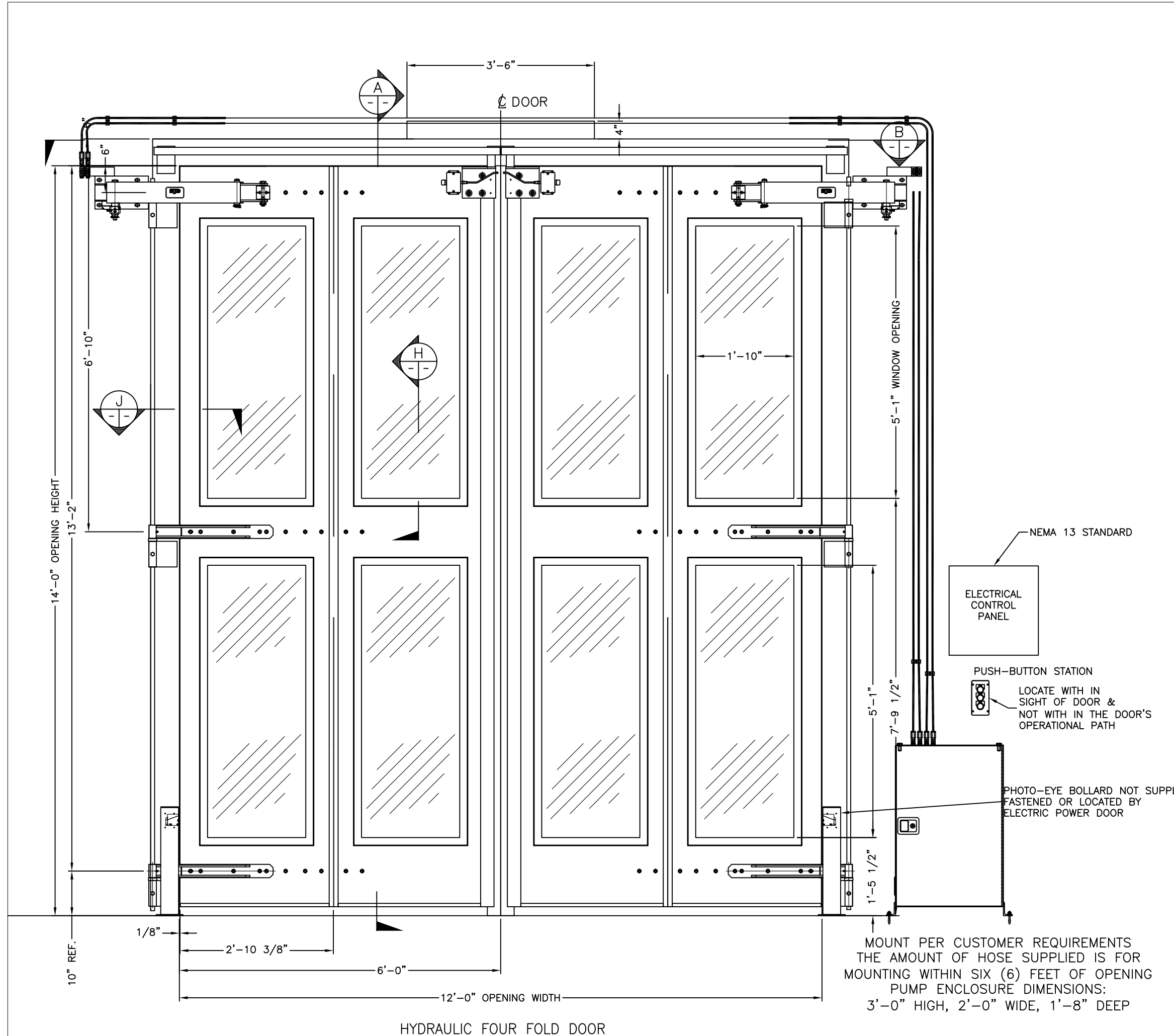
522 West 27th Street, Hibbing, Minnesota 55746
(218)263-8366

FULLY GLAZED, MODEL 41 HYDRAULIC OPERATED FOUR FOLD DOOR

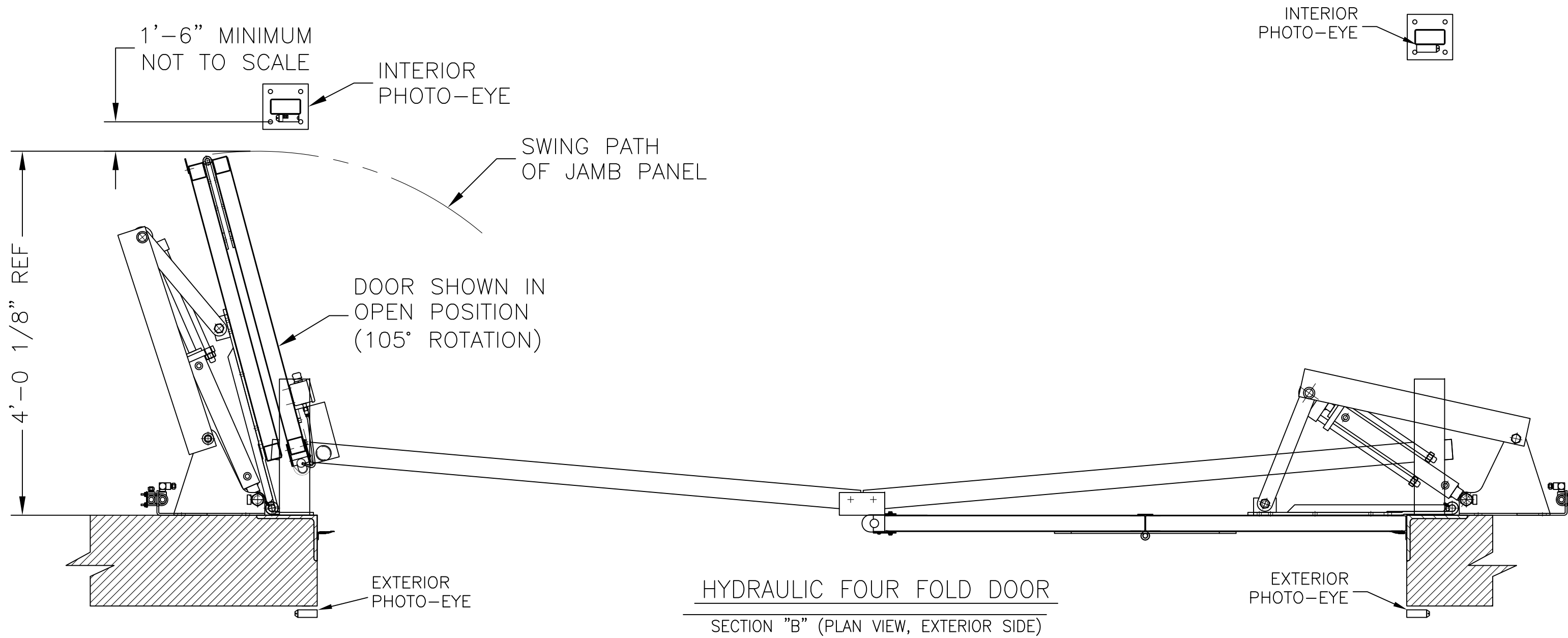


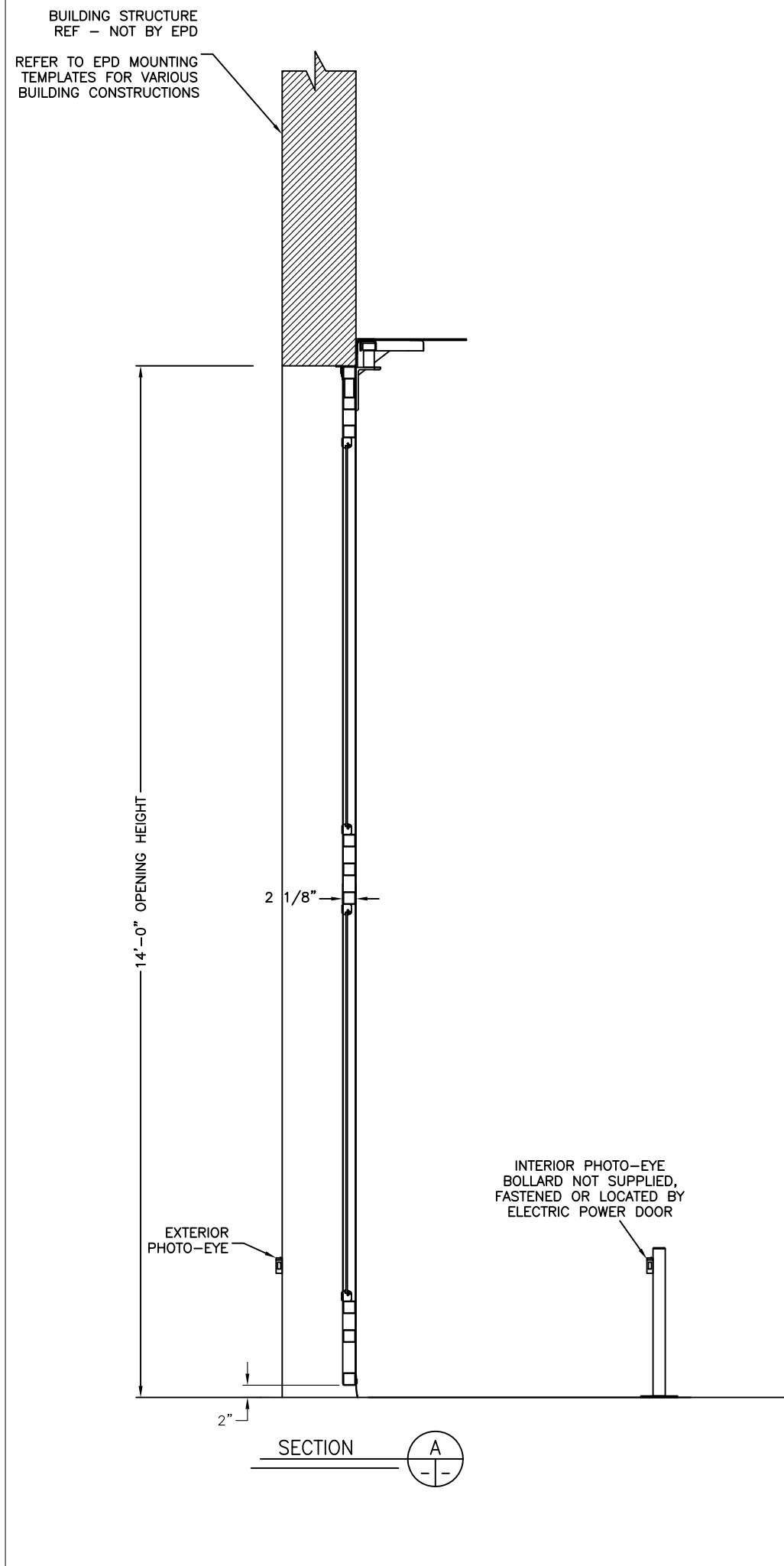


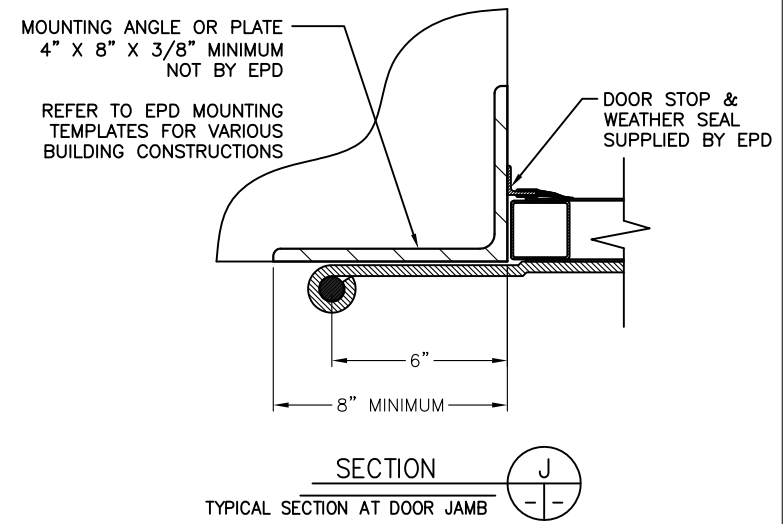
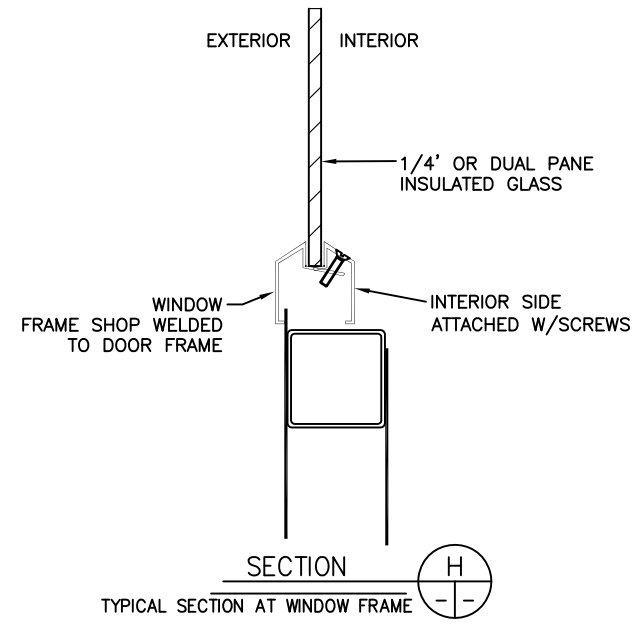
HYDRAULIC FOUR FOLD DOOR
EXTERIOR ELEVATION

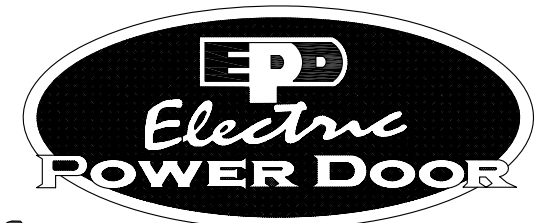


HYDRAULIC FOUR FOLD DOOR







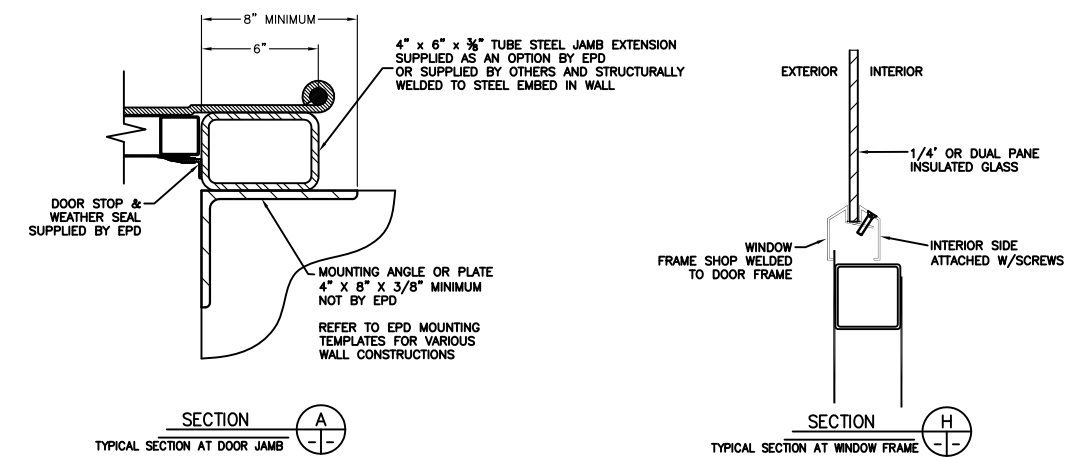
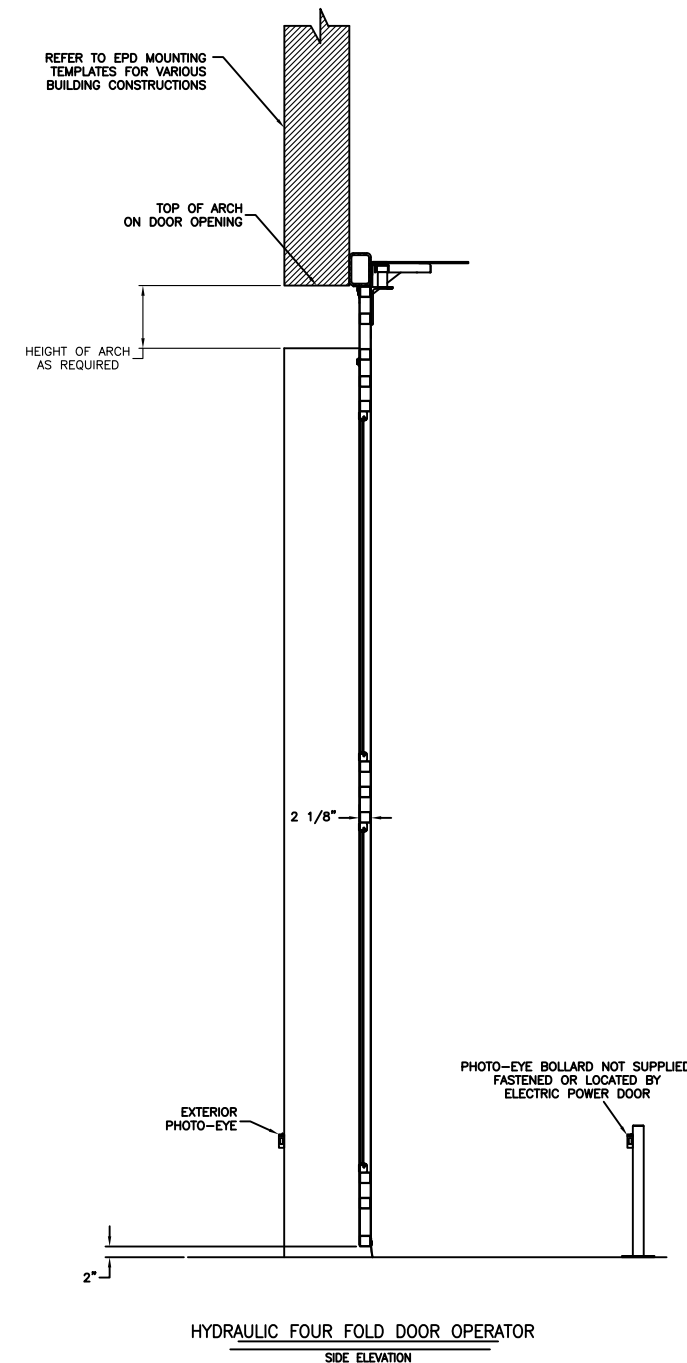
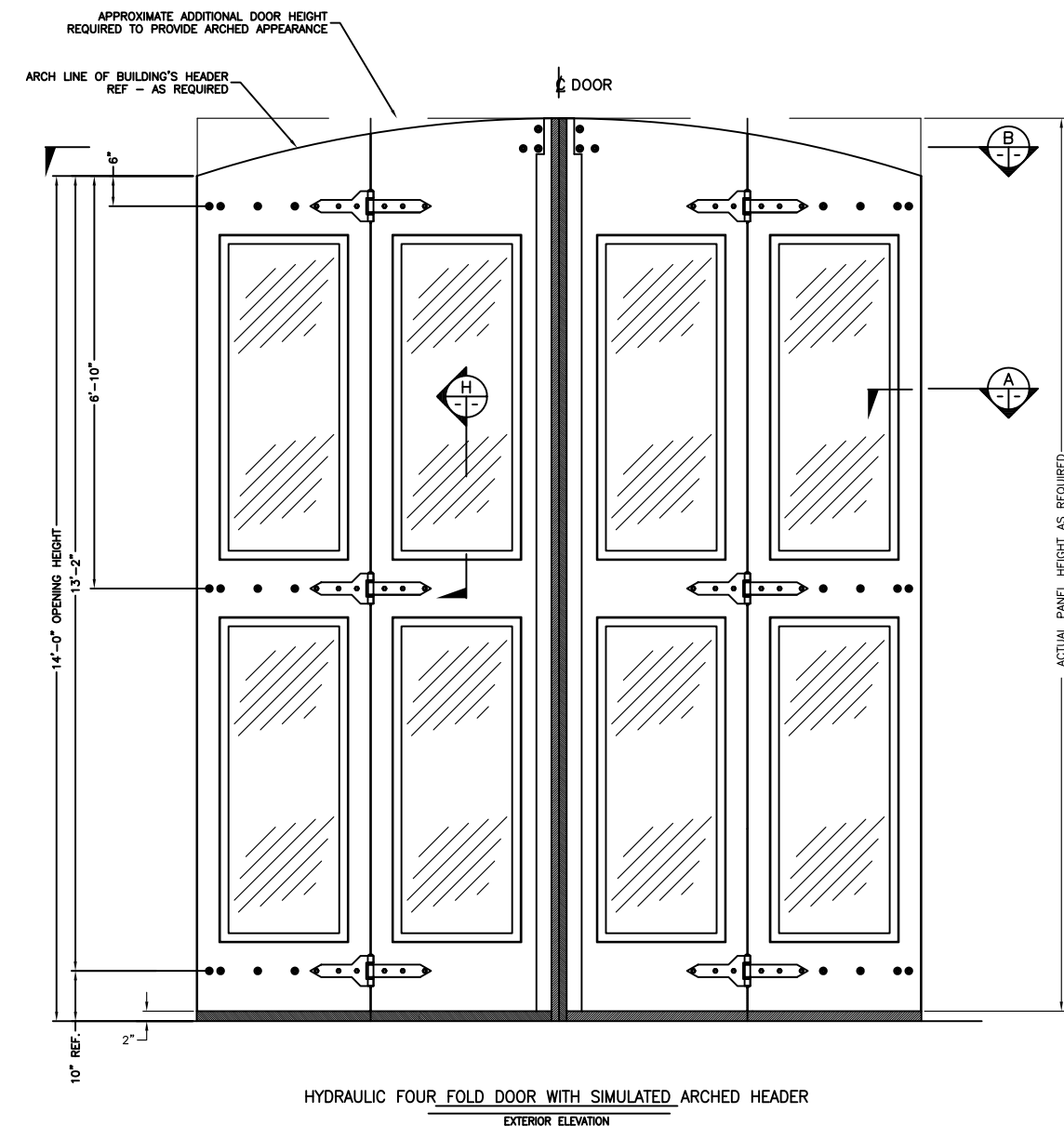
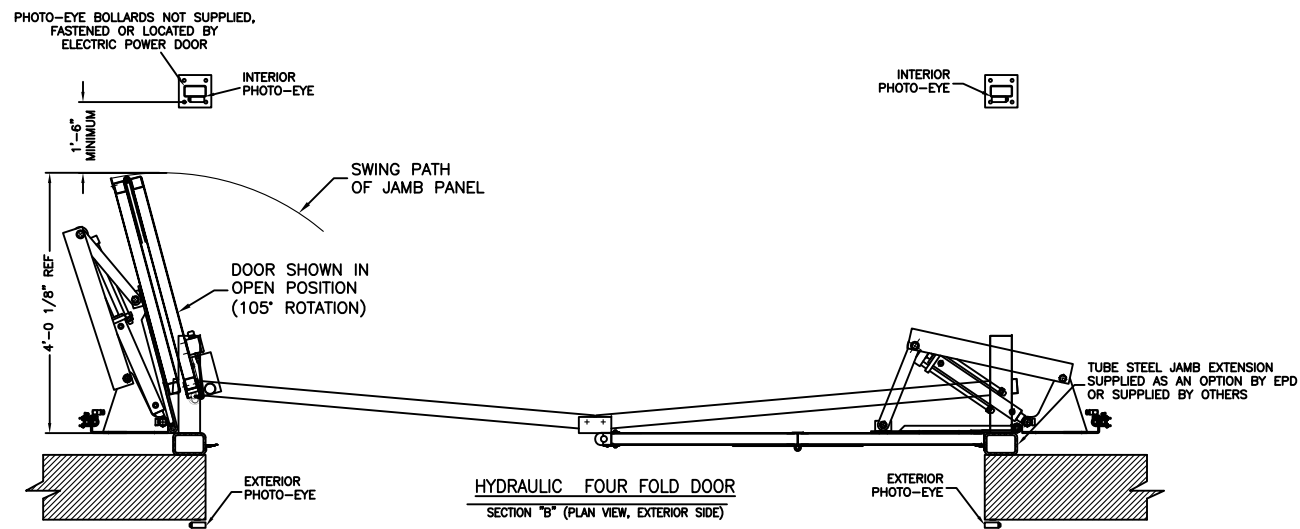


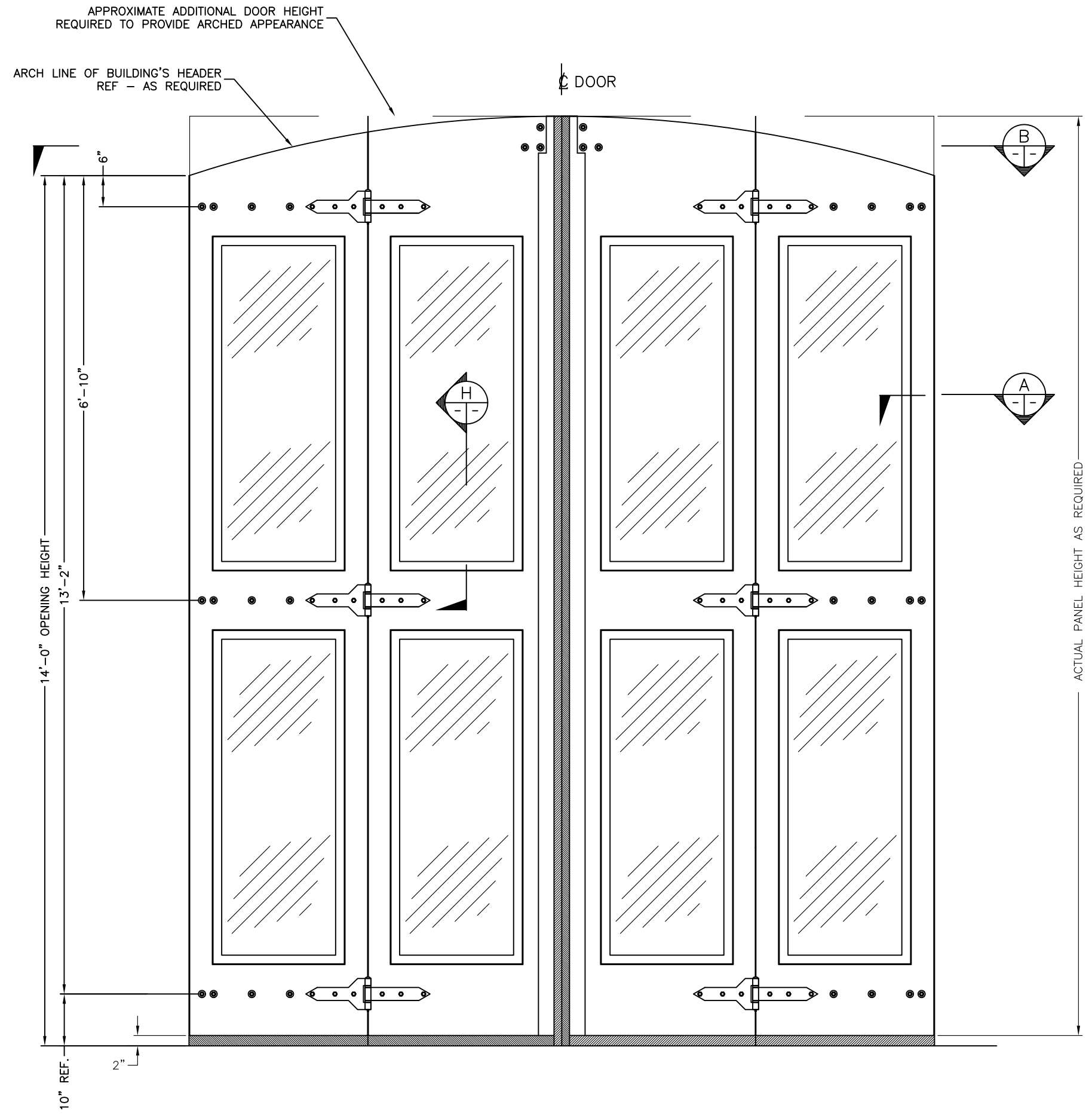
Engineering in motion

522 West 27th Street, Hibbing, Minnesota 55746
(218)263-8366

FULLY GLAZED, MODEL 41 HYDRAULIC OPERATED FOUR FOLD DOOR

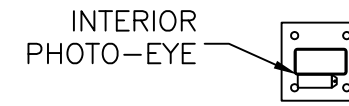
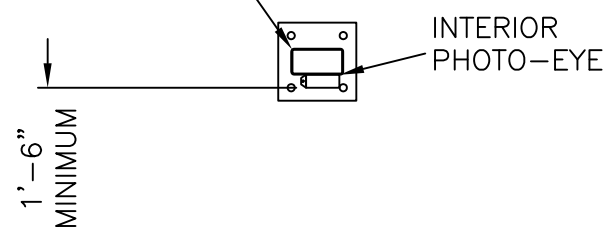
SHOWN WITH A SIMULATED
ARCHED HEADER
AND
TUBE STEEL JAMB EXTENSIONS





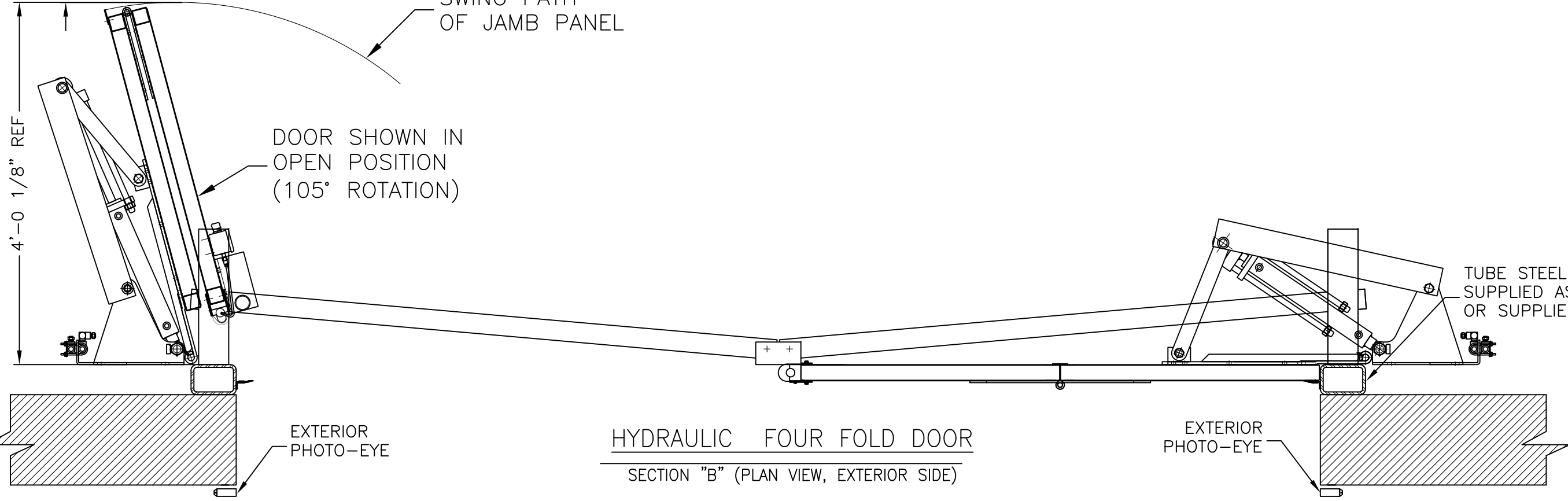
HYDRAULIC FOUR FOLD DOOR WITH SIMULATED ARCHED HEADER
EXTERIOR ELEVATION

PHOTO-EYE BOLLARDS NOT SUPPLIED,
FASTENED OR LOCATED BY
ELECTRIC POWER DOOR

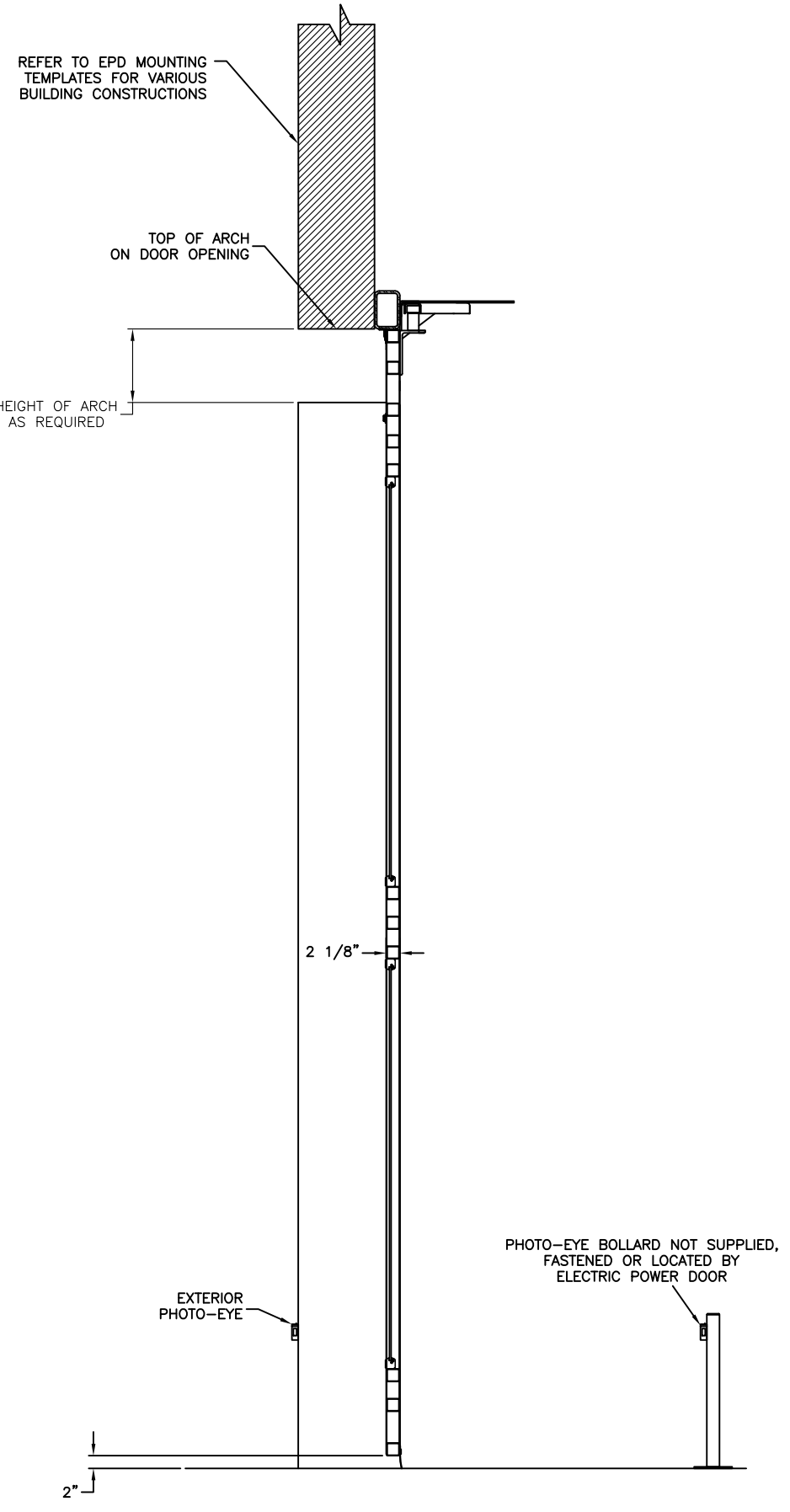


SWING PATH
OF JAMB PANEL

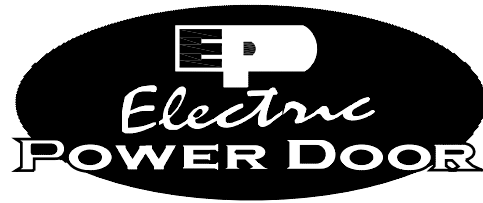
DOOR SHOWN IN
OPEN POSITION
(105° ROTATION)



HYDRAULIC FOUR FOLD DOOR
SECTION "B" (PLAN VIEW, EXTERIOR SIDE)



HYDRAULIC FOUR FOLD DOOR OPERATOR
SIDE ELEVATION



in motion

522 West 27th Street, Hibbing, Minnesota 55746
(218)263-8366

FULLY GLAZED, MODEL 41 HYDRAULIC OPERATED FOUR FOLD DOOR

SHOWN WITH A SIMULATED ARCHED HEADER AND TUBE STEEL JAMB EXTENSIONS

