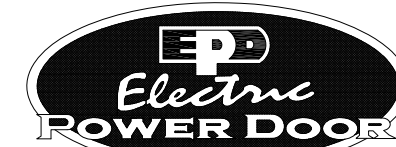


LIMIT UNLESS OTHERWISE NOTED  
 FRACT.±1/16" DEC.DIM.±.010 ANGULAR±1'

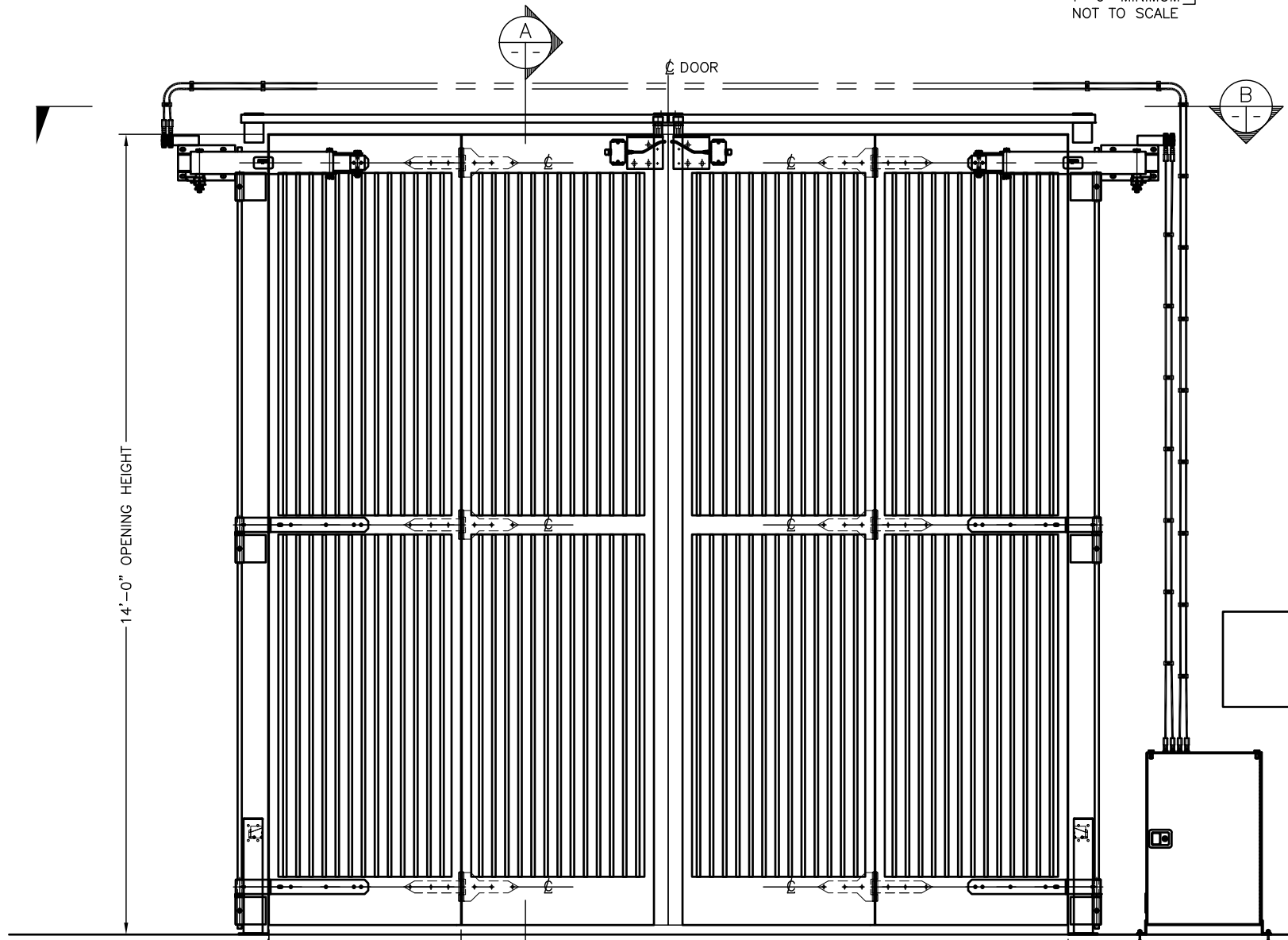
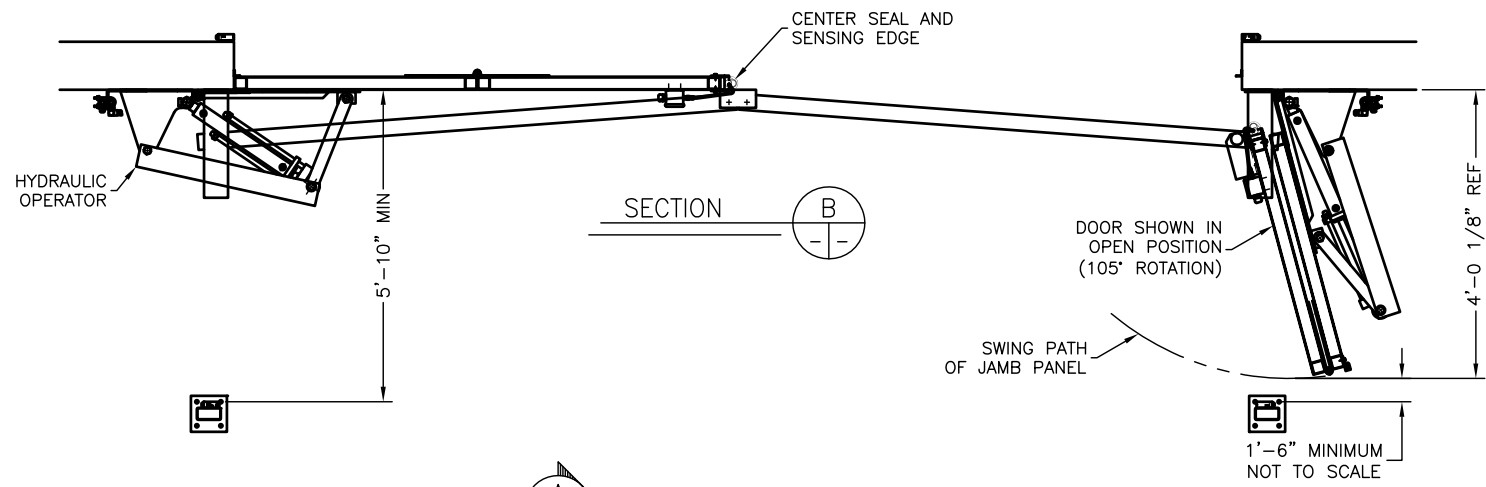


*Engineering in motion*

522 West 27th Street, Hibbing, Minnesota 55746  
 (218)263-8366

THE DRAWING IS LOANED WITH THE EXPRESSED AGREEMENT THAT THE DRAWING AND INFORMATION THEREIN CONTAINED ARE THE PROPERTY OF ELECTRIC POWER DOOR AND WILL NOT BE REPRODUCED OR COPIED IN WHOLE OR IN PART NOR USED FOR THE FABRICATION OR CONSTRUCTION OF MATERIALS EXCEPT UPON THE WRITTEN PERMISSION OF ELECTRIC POWER DOOR FIRST OBTAINED AND SPECIFIC AS TO USE. THE ACCEPTANCE OF THIS DRAWING WILL BE CONSTRUED AS THE ACCEPTANCE OF THE FOREGOING AGREEMENT.

THIS DRAWING CONTAINS FIELD INSTALLED PARTS & INSTALLATION DETAILS



MOUNT PER CUSTOMER REQUIREMENTS  
 THE AMOUNT OF HOSE SUPPLIED IS FOR MOUNTING WITHIN SIX (6) FEET OF OPENING  
 PUMP ENCLOSURE DIMENSIONS:  
 3'-0" HIGH, 2'-0" WIDE, 1'-8" DEEP

HYDRAULIC FOUR FOLD DOOR  
 INTERIOR ELEVATION

- NOTE:
1. ALL STEEL SURFACES CAN BE PRIMED OR PRIMERED AND FINISH PAINTED PER THE CUSTOMER SPECS.
  2. LOCATION, MOUNTING, AND FIELD WIRING OF ALL ELECTRICAL CONTROLS, INCLUDING THE SUPPLY AND INSTALLATION OF ALL NECESSARY CONDUIT AND JUNCTION BOXES IS NOT BY ELECTRIC POWER DOOR.
  3. MODEL 45 DOORS HAVE VERTICAL RODS.
  4. GUIDE TRACK WILL BE C-SHAPED OR S-BEAM STYLE DEPENDING ON THE SIZE AND WEIGHT OF THE DOOR.
  5. STANDARD ROD SIZE IS 3/4" WITH 2 3/4" SPACING. FOR OTHER OPTIONS, CONSULT THE FACTORY