



522 West 27th Street, Hibbing, Minnesota 55746  
(218)263-8366

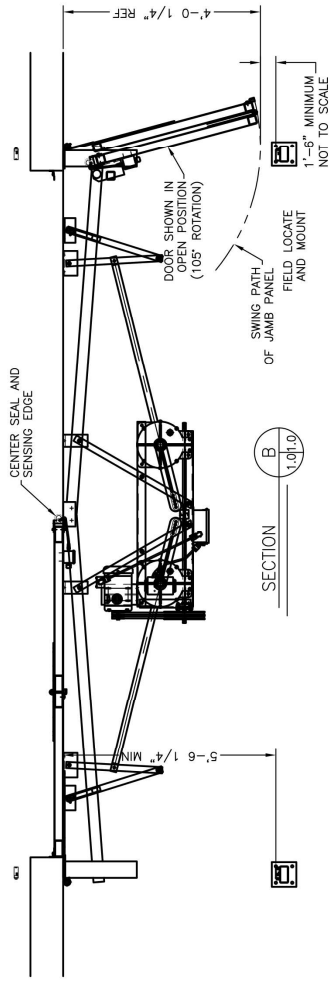
LIMIT UNLESS OTHERWISE NOTED  
FRACT:1/16" DEC:DM:±.010 ANGULAR:±1°

THIS DRAWING IS LOANED WITH THE EXPRESSED AGREEMENT THAT THE DRAWING AND INFORMATION THEREIN CONTAINED ARE THE PROPERTY OF ELECTRIC POWER DOOR AND WILL NOT BE REPRODUCED OR COPIED IN WHOLE OR IN PART NOR USED FOR THE FABRICATION OR CONSTRUCTION OF MATERIALS EXCEPT FOR THE FIRST OR FIRST REVISIONS. THE USER OF THIS DRAWING MUST OBTAIN AND SPECIFICALLY ACCEPT THE ACCEPTANCE OF THIS DRAWING WILL BE CONSTRUED AS THE ACCEPTANCE OF THE FOREGOING AGREEMENT.

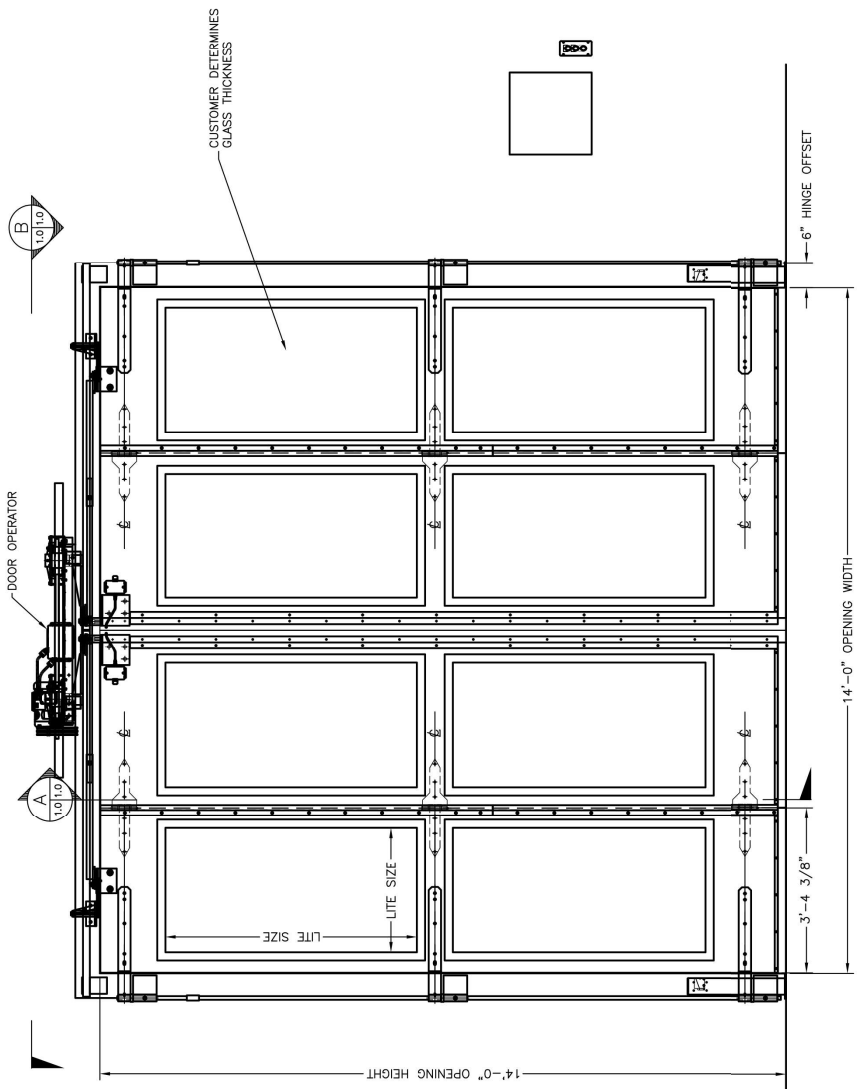
THIS DRAWING CONTAINS FIELD INSTALLED PARTS & INSTALLATION DETAILS

LEVEL = AA  
WORK CENTER = 100  
OPERATION = 600

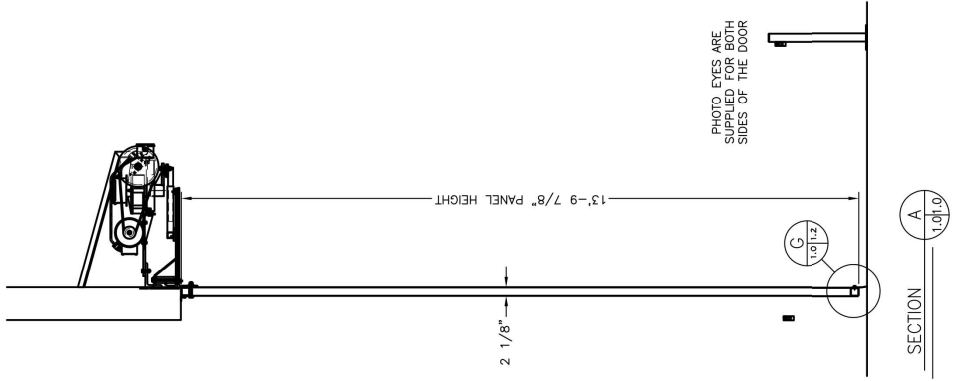
- NOTE:
1. ALL STEEL SURFACES CAN BE PRIMED OR PRIMED AND FINISH PAINTED PER THE CUSTOMER SPECS.
  2. LOCATION, MOUNTING, AND FIELD WIRING OF ALL ELECTRICAL PARTS AND FIELD WIRING SHALL BE THE RESPONSIBILITY OF THE INSTALLER. ALL NECESSARY CONDUIT AND INSTALLATION OF ALL NECESSARY CONDUIT AND JUNCTION BOXES IS NOT BY ELECTRIC POWER DOOR.
  3. MODEL 41 DOORS HAVE WINDOWS.
  4. GUIDE TRACK WILL BE C-SHAPED OR S-BEAM STYLE DEPENDING ON THE SIZE AND WEIGHT OF THE DOOR.
  5. GLASS THICKNESS AND SIZES PER CUSTOMER REQUIREMENTS



SECTION A-A  
1.0|1.0



ELECTRIC FOUR FOLD DOOR  
EXTERIOR ELEVATION



SECTION B-B  
1.0|1.0