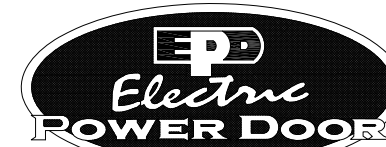


LIMIT UNLESS OTHERWISE NOTED
 FRACT.±1/16" DEC.DIM.±.010 ANGULAR±1°



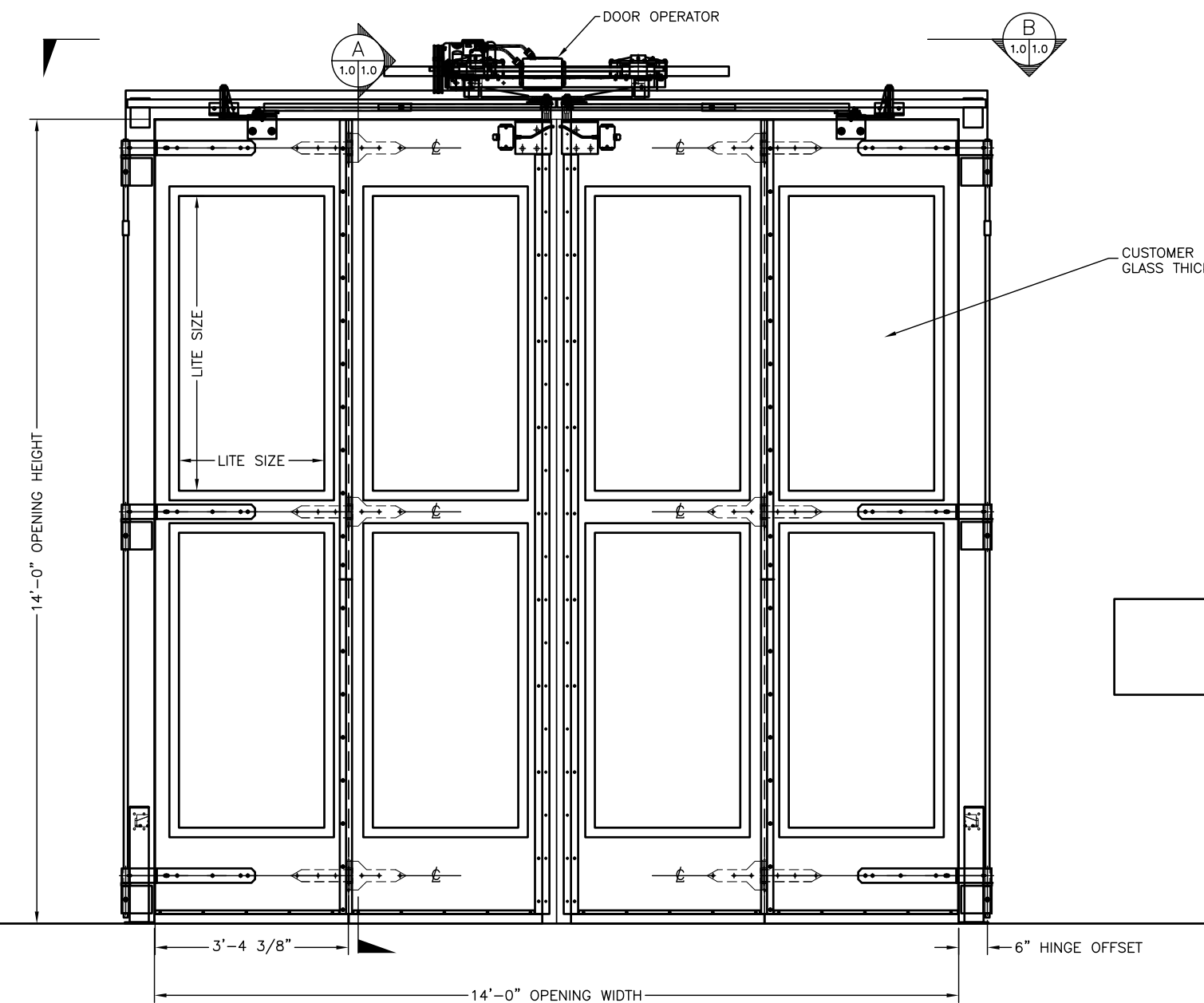
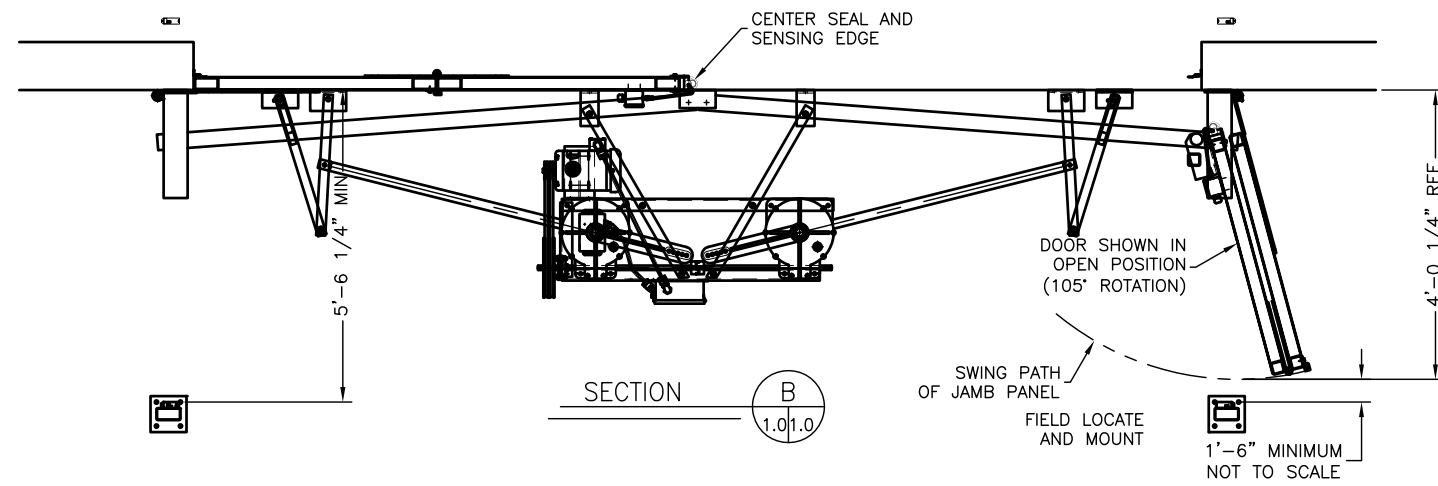
Engineering in motion

522 West 27th Street, Hibbing, Minnesota 55746
 (218)263-8366

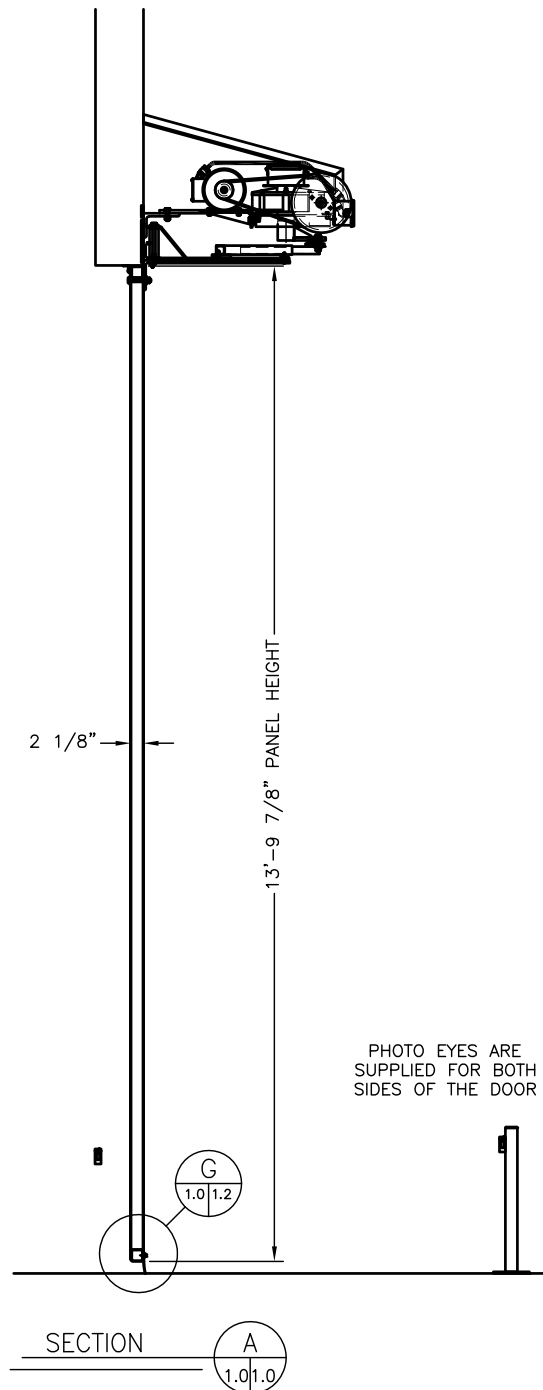
THE DRAWING IS LOANED WITH THE EXPRESSED AGREEMENT THAT THE DRAWING AND INFORMATION THEREIN CONTAINED ARE THE PROPERTY OF ELECTRIC POWER DOOR AND WILL NOT BE REPRODUCED OR COPIED IN WHOLE OR IN PART NOR USED FOR THE FABRICATION OR CONSTRUCTION OF MATERIALS EXCEPT UPON THE WRITTEN PERMISSION OF ELECTRIC POWER DOOR FIRST OBTAINED AND SPECIFIC AS TO USE. THE ACCEPTANCE OF THIS DRAWING WILL BE CONSTRUED AS THE ACCEPTANCE OF THE FOREGOING AGREEMENT.

THIS DRAWING CONTAINS FIELD INSTALLED PARTS & INSTALLATION DETAILS

LEVEL = AA
 WORK CENTER = 100
 OPERATION = 600



ELECTRIC FOUR FOLD DOOR
 EXTERIOR ELEVATION



- NOTE:
1. ALL STEEL SURFACES CAN BE PRIMED OR PRIMED AND FINISH PAINTED PER THE CUSTOMER SPECS.
 2. LOCATION, MOUNTING, AND FIELD WIRING OF ALL ELECTRICAL CONTROLS, INCLUDING THE SUPPLY AND INSTALLATION OF ALL NECESSARY CONDUIT AND JUNCTION BOXES IS NOT BY ELECTRIC POWER DOOR.
 3. MODEL 41 DOORS HAVE WINDOWS.
 4. GUIDE TRACK WILL BE C-SHAPED OR S-BEAM STYLE DEPENDING ON THE SIZE AND WEIGHT OF THE DOOR.
 5. GLASS THICKNESS AND SIZING PER CUSTOMER REQUIREMENTS

PHOTO EYES ARE SUPPLIED FOR BOTH SIDES OF THE DOOR