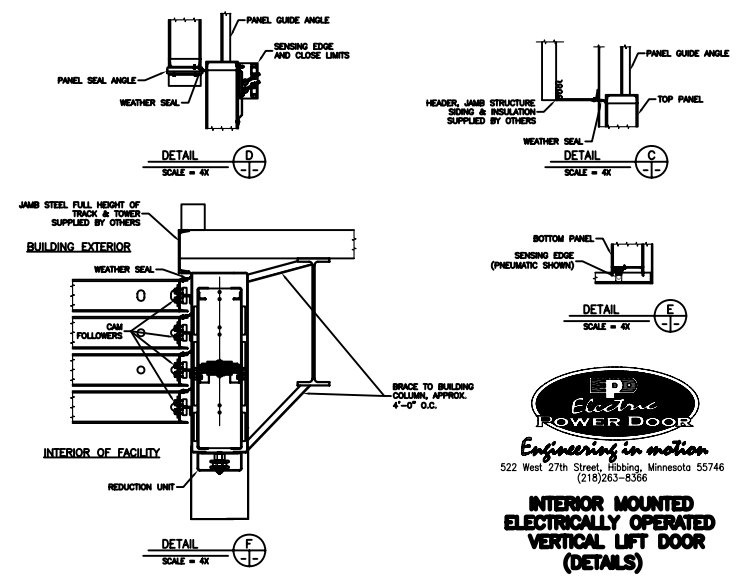
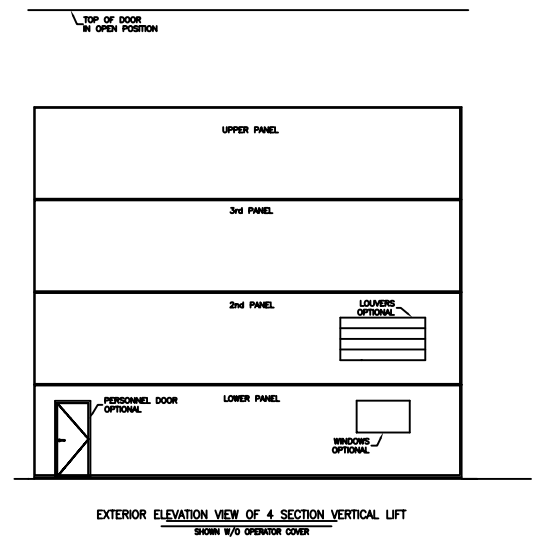
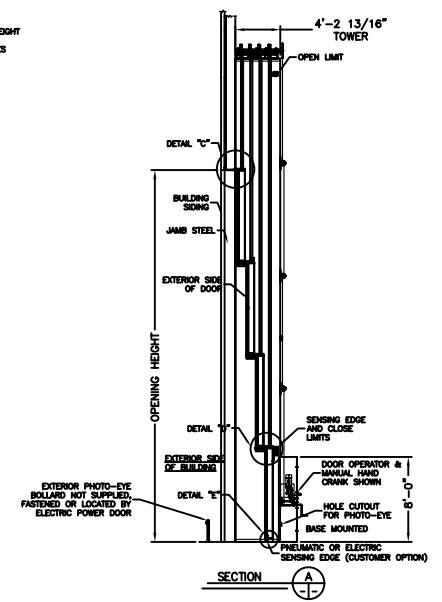
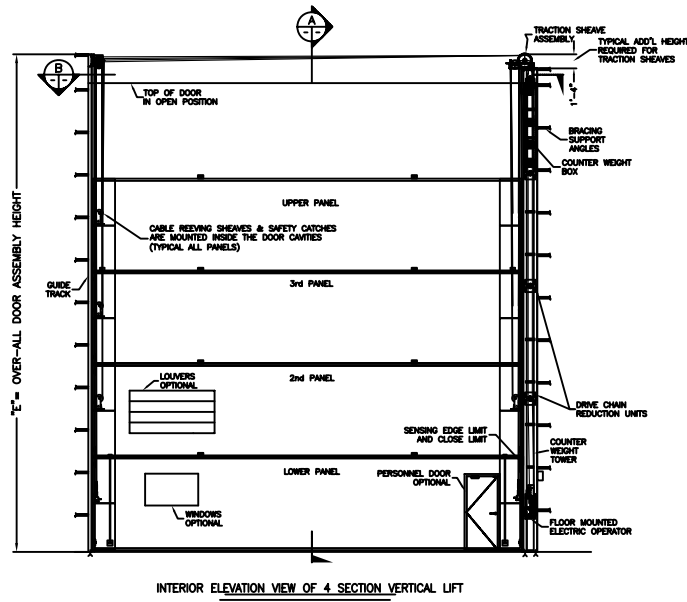
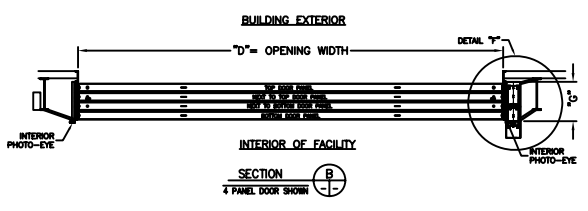
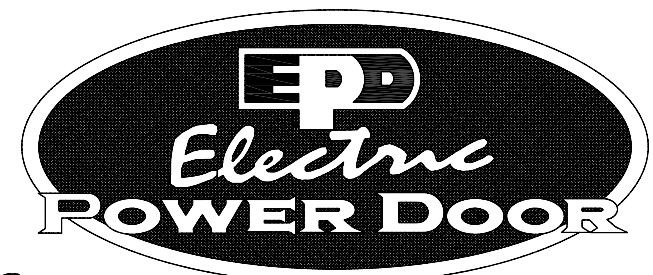




**INTERIOR MOUNTED  
ELECTRICALLY OPERATED  
VERTICAL LIFT DOOR  
(4 SECTION)**



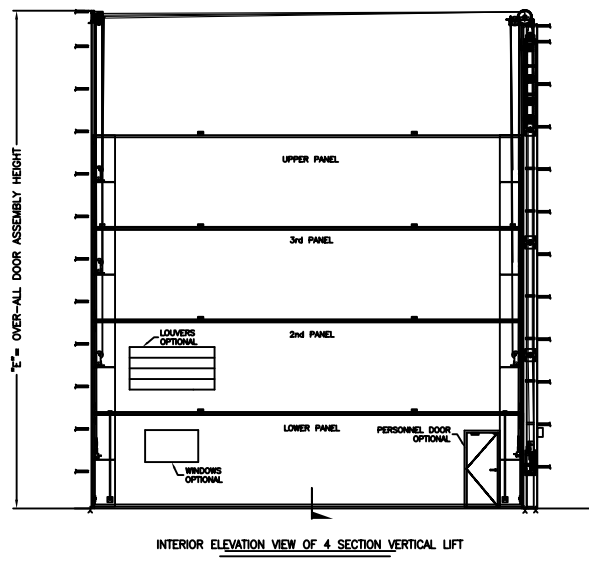
**EPD Electric Power Door**  
*Engineering in motion*  
522 West 27th Street, Hibbing, Minnesota 55746  
(218)263-8366  
**INTERIOR MOUNTED  
ELECTRICALLY OPERATED  
VERTICAL LIFT DOOR  
(DETAILS)**

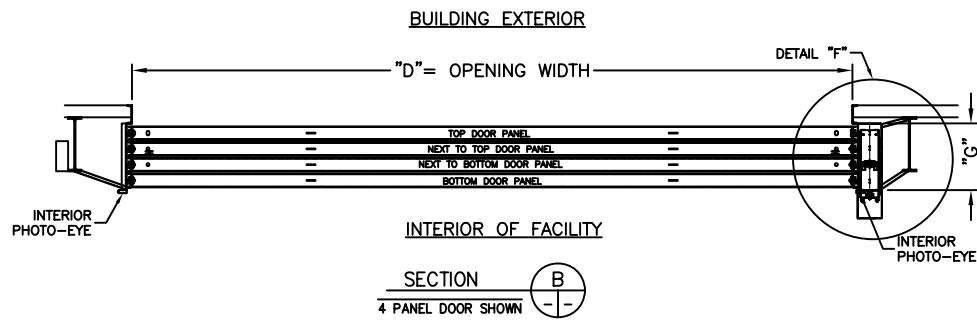


*Engineering in motion*

522 West 27th Street, Hibbing, Minnesota 55746  
(218)263-8366

**INTERIOR MOUNTED  
ELECTRICALLY OPERATED  
VERTICAL LIFT DOOR**

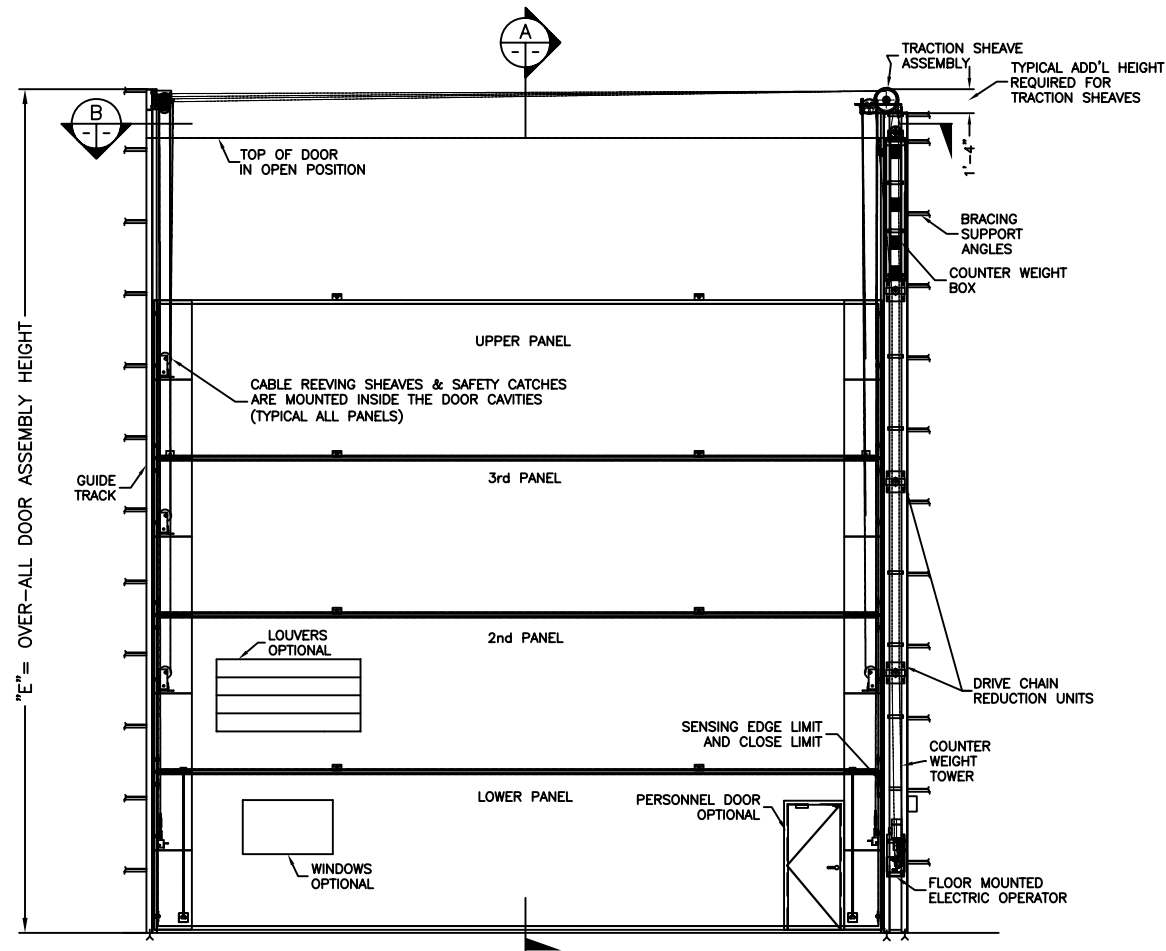




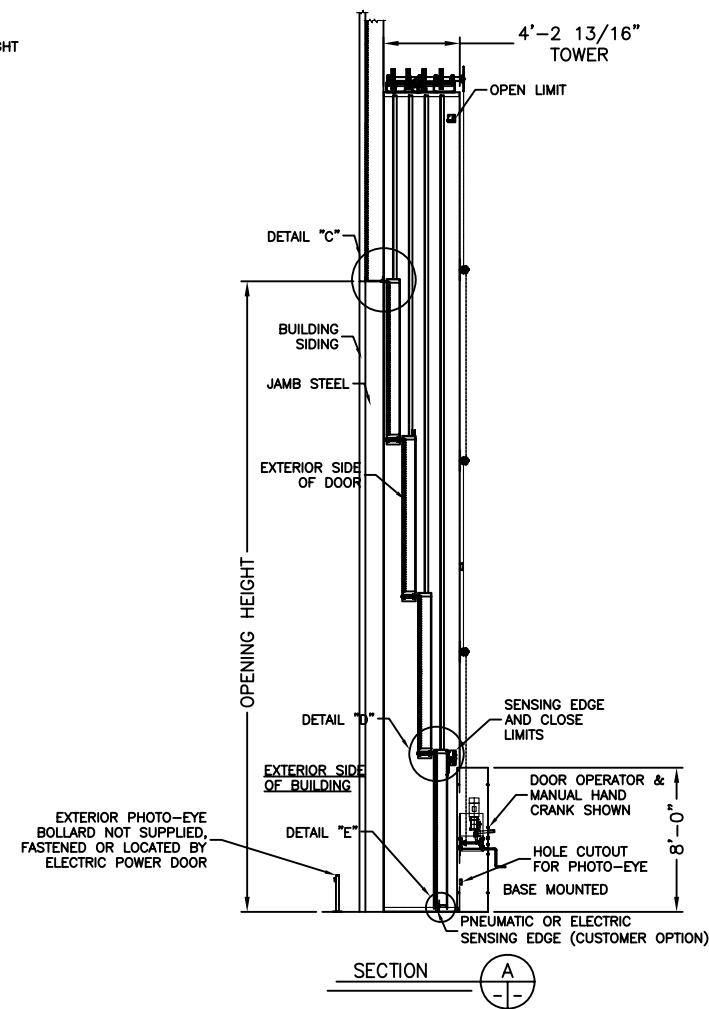
*Engineering in motion*

522 West 27th Street, Hibbing, Minnesota 55746  
(218)263-8366

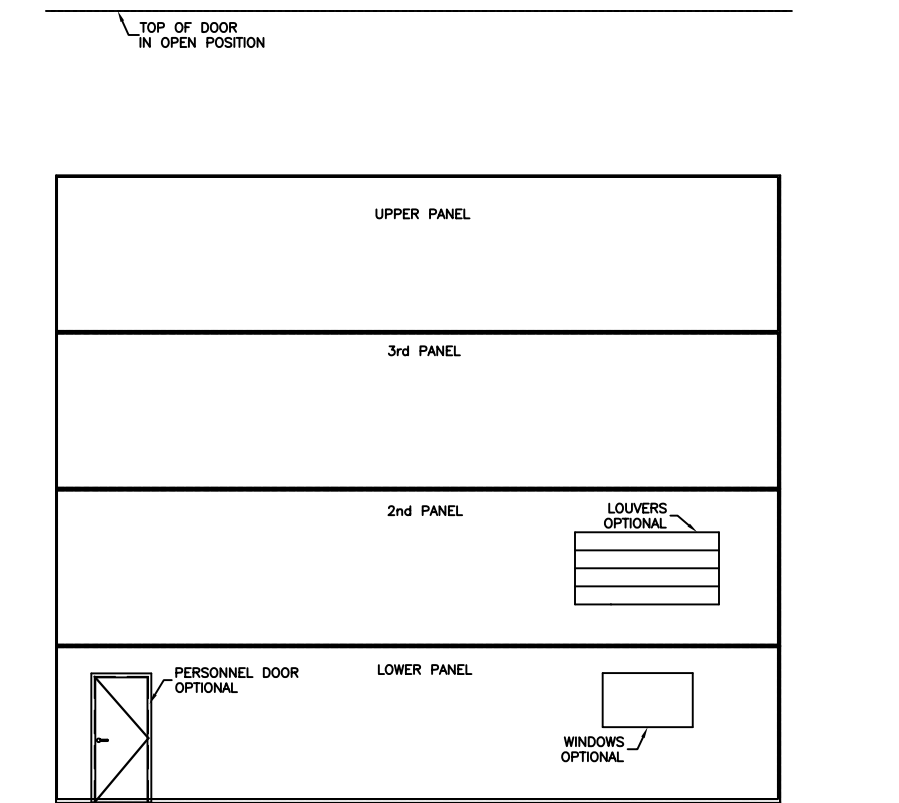
**INTERIOR MOUNTED  
ELECTRICALLY OPERATED  
VERTICAL LIFT DOOR  
(4 SECTION)**



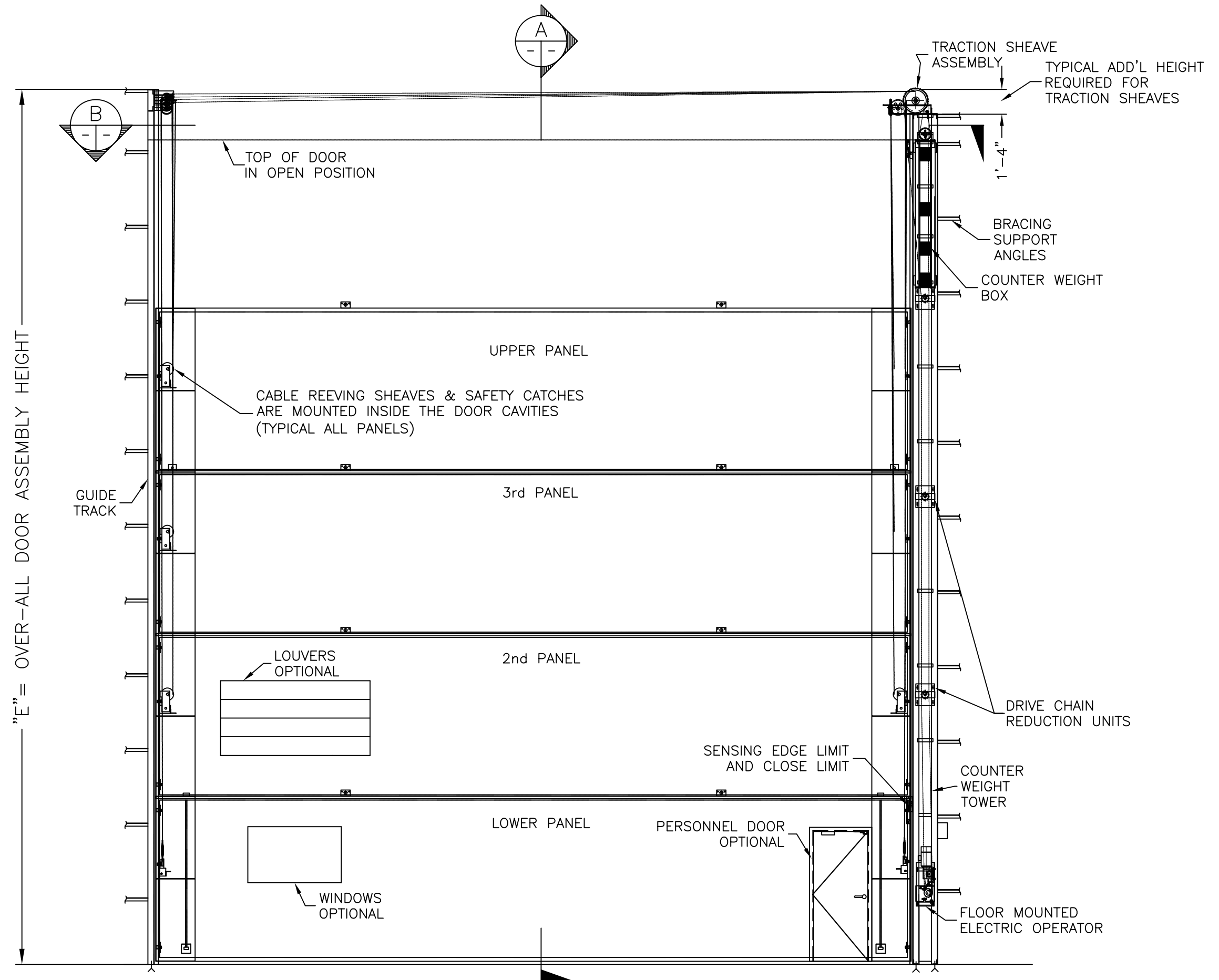
INTERIOR ELEVATION VIEW OF 4 SECTION VERTICAL LIFT



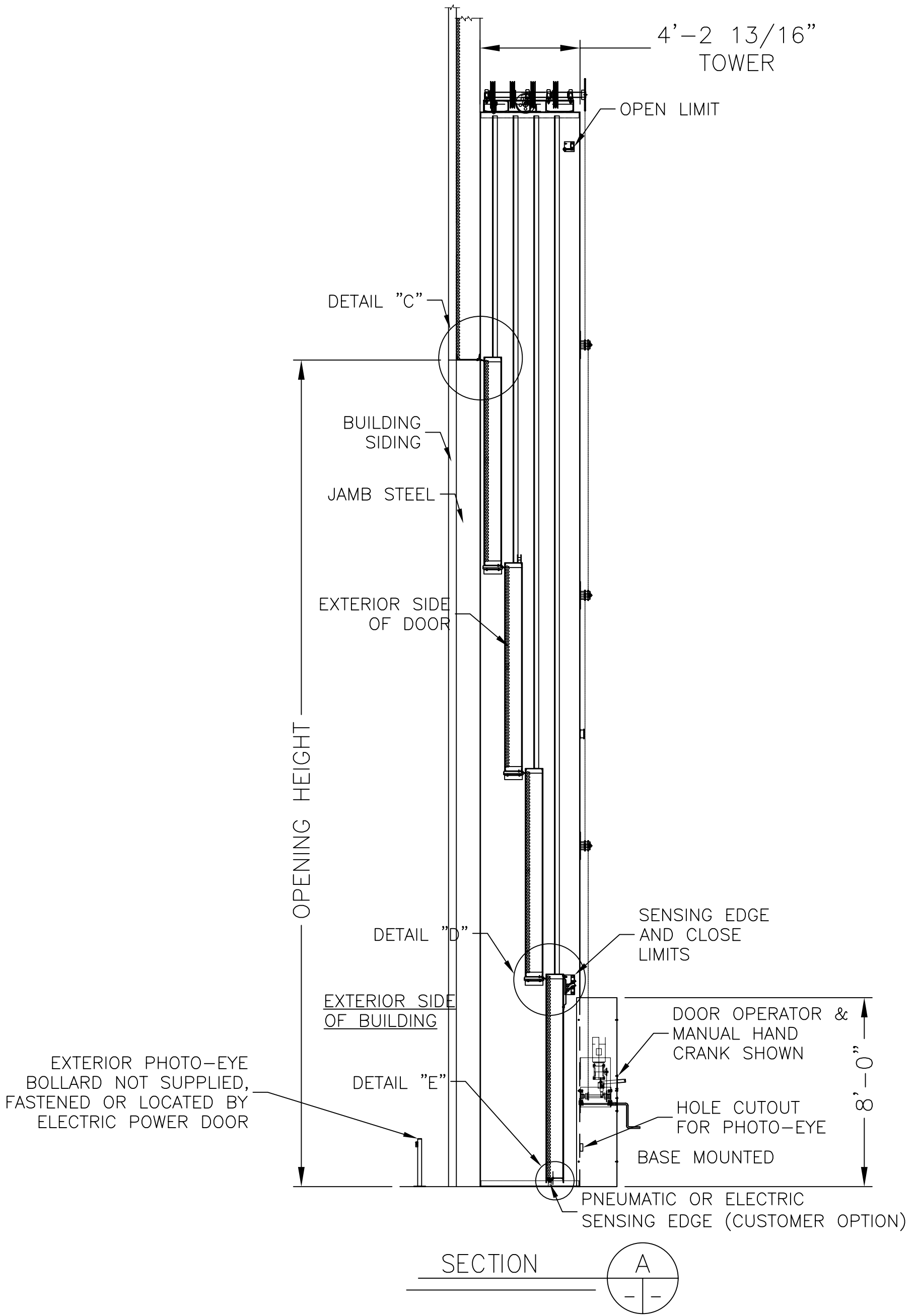
SECTION A



EXTERIOR ELEVATION VIEW OF 4 SECTION VERTICAL LIFT  
SHOWN W/O OPERATOR COVER



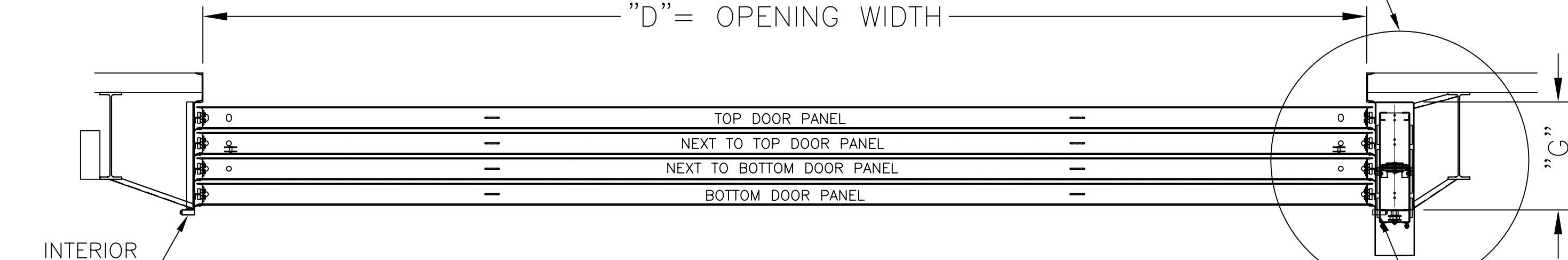
INTERIOR ELEVATION VIEW OF 4 SECTION VERTICAL LIFT



BUILDING EXTERIOR

"D" = OPENING WIDTH

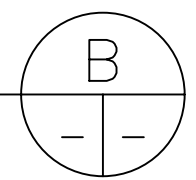
DETAIL "F"



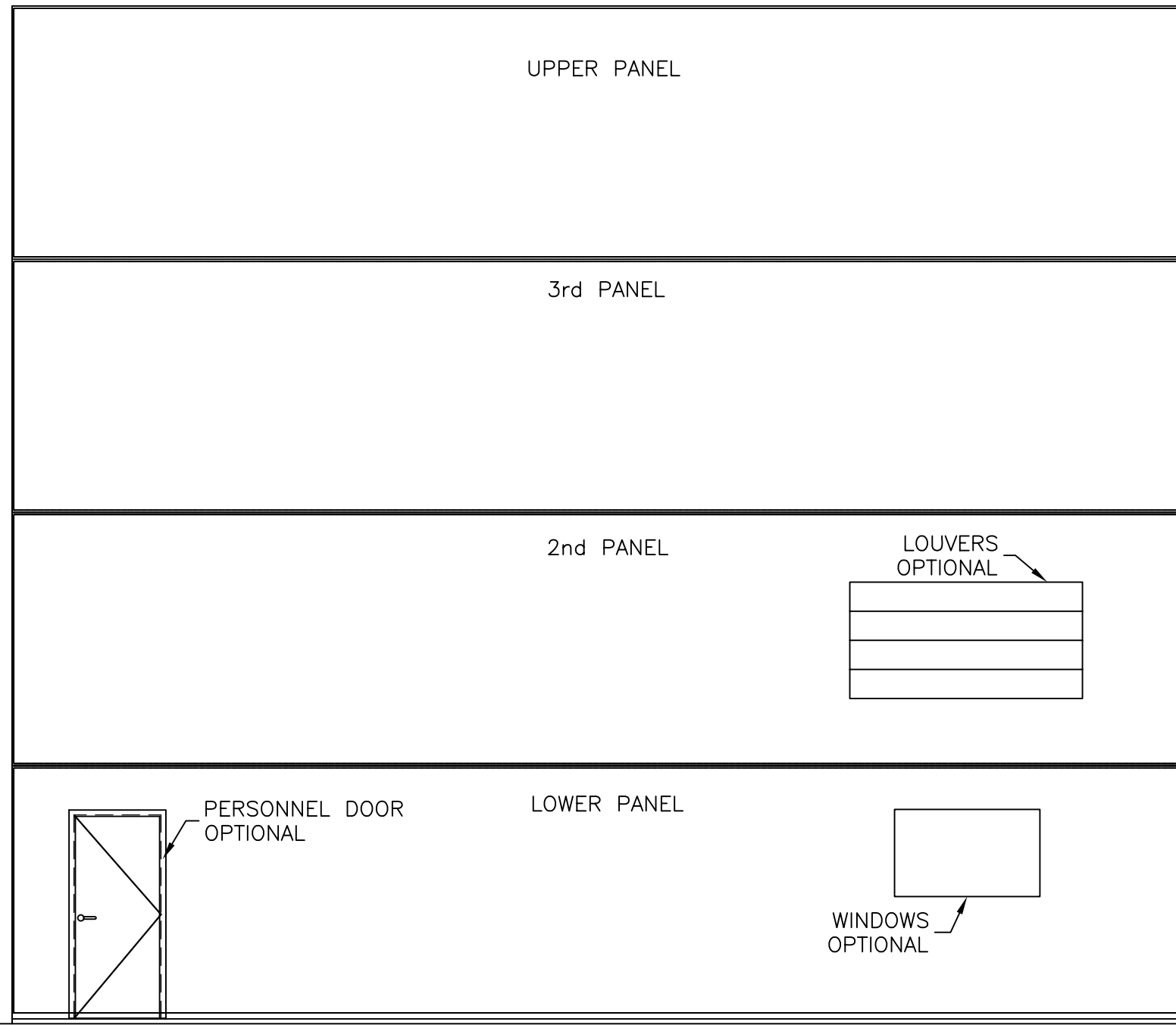
INTERIOR OF FACILITY

INTERIOR PHOTO-EYE

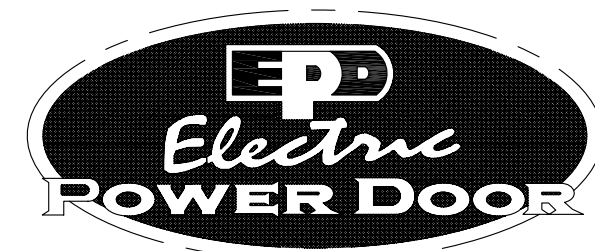
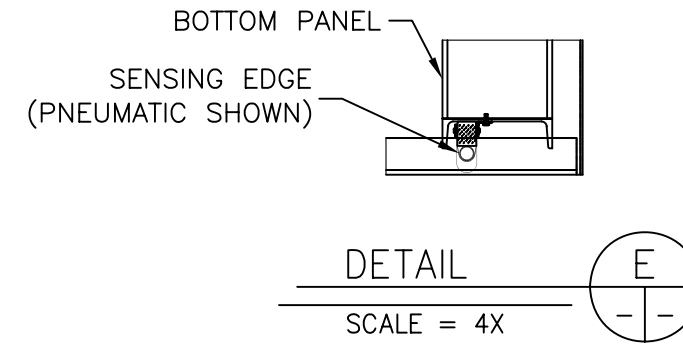
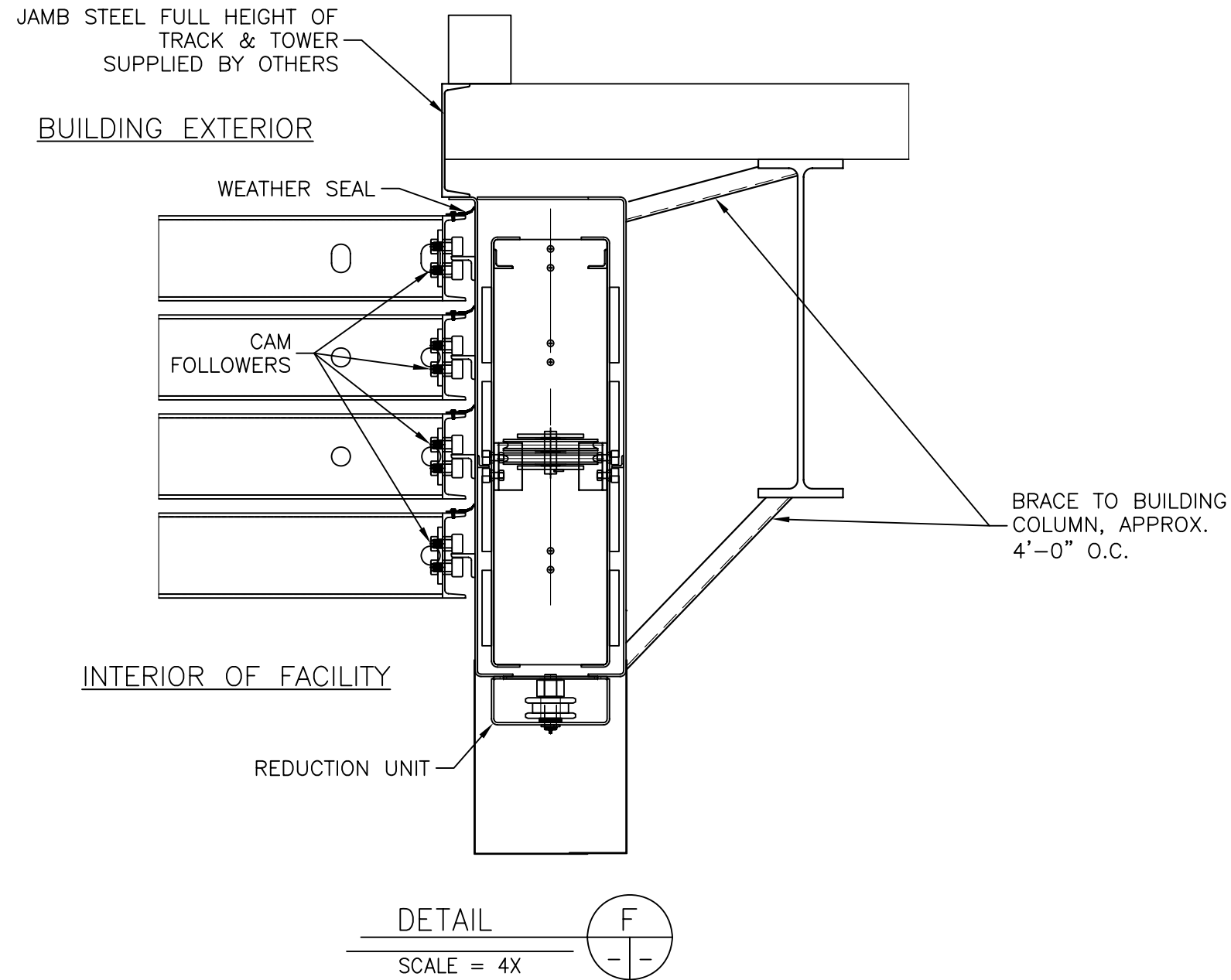
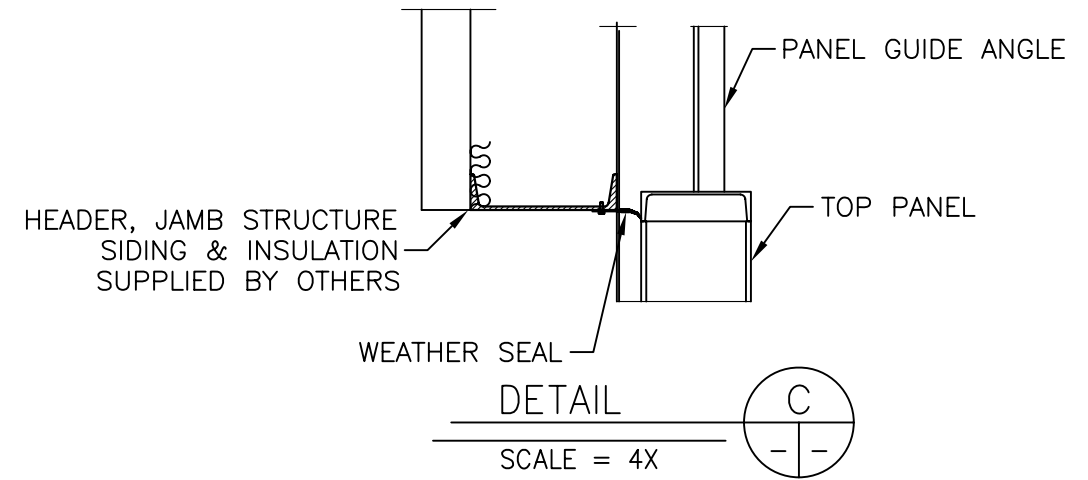
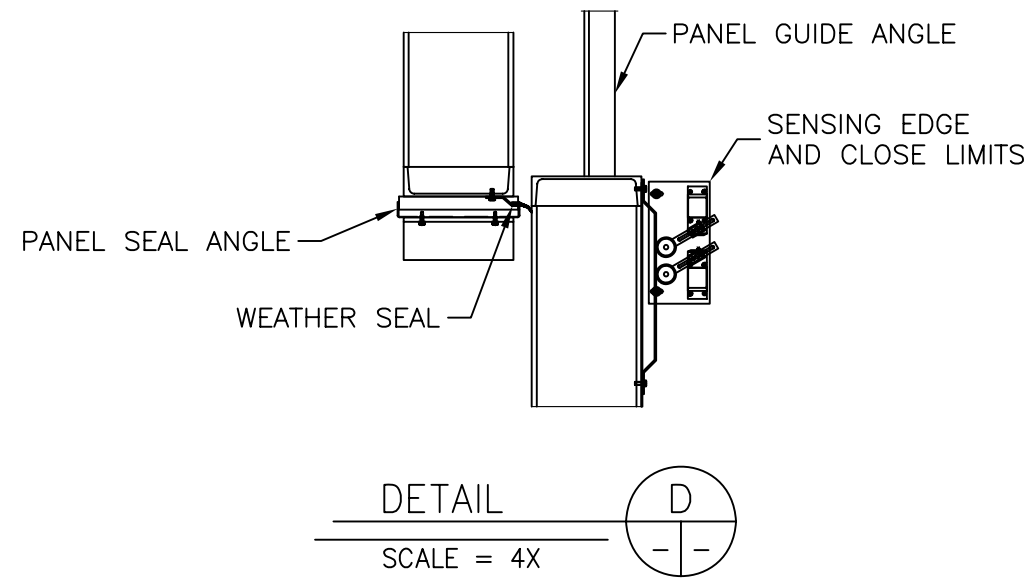
SECTION  
4 PANEL DOOR SHOWN



TOP OF DOOR  
IN OPEN POSITION



EXTERIOR ELEVATION VIEW OF 4 SECTION VERTICAL LIFT  
SHOWN W/O OPERATOR COVER



*Engineering in motion*

522 West 27th Street, Hibbing, Minnesota 55746  
(218)263-8366

INTERIOR MOUNTED  
ELECTRICALLY OPERATED  
VERTICAL LIFT DOOR  
(DETAILS)