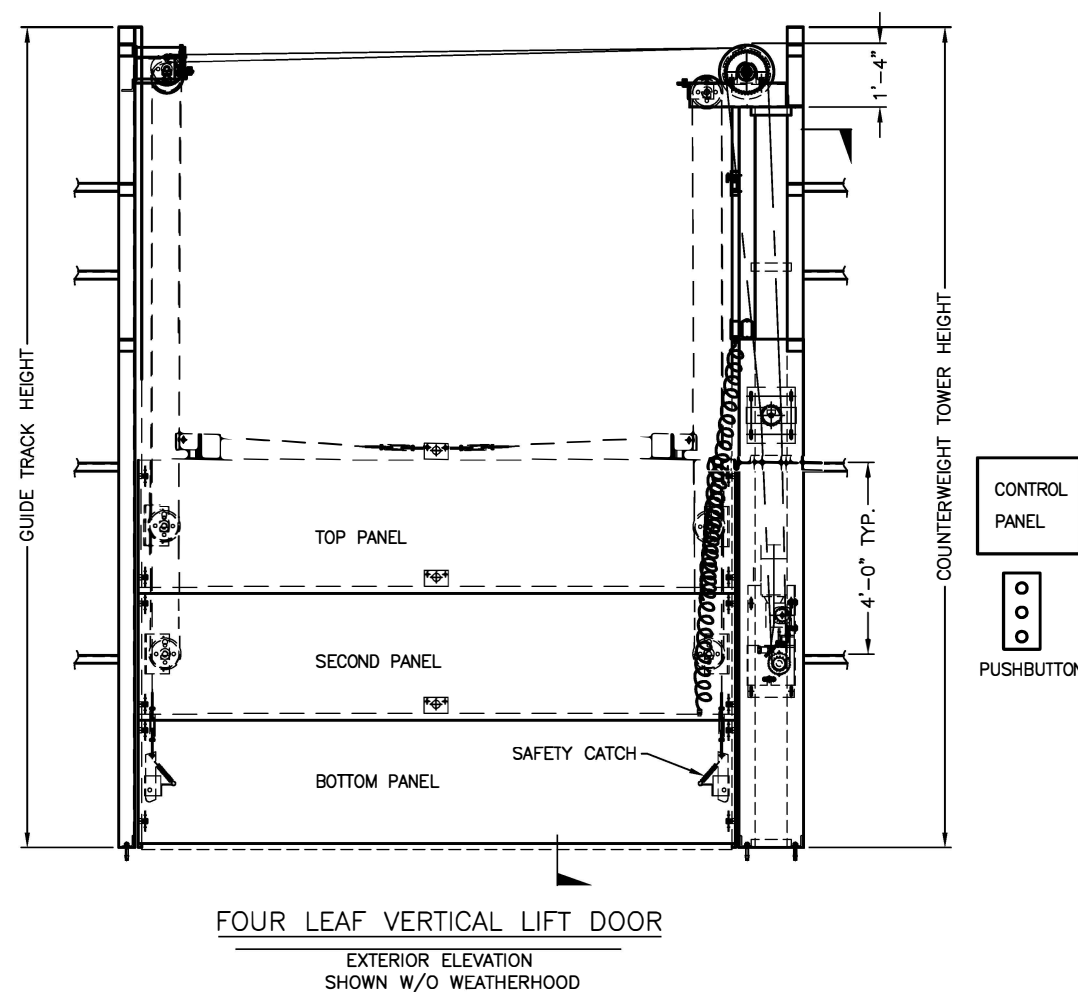
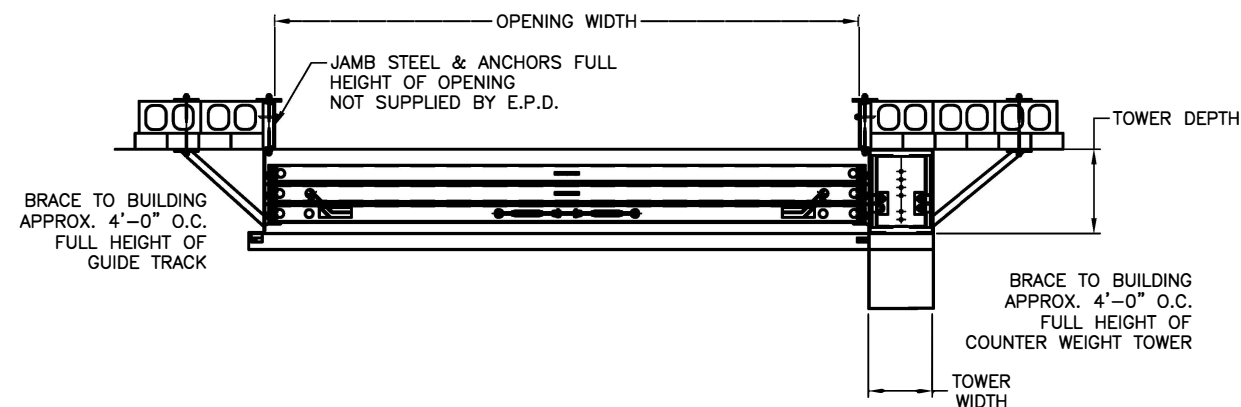


LIMIT UNLESS OTHERWISE NOTED
 FRACT.±1/16" DEC.DIM.±.010 ANGULAR±1'

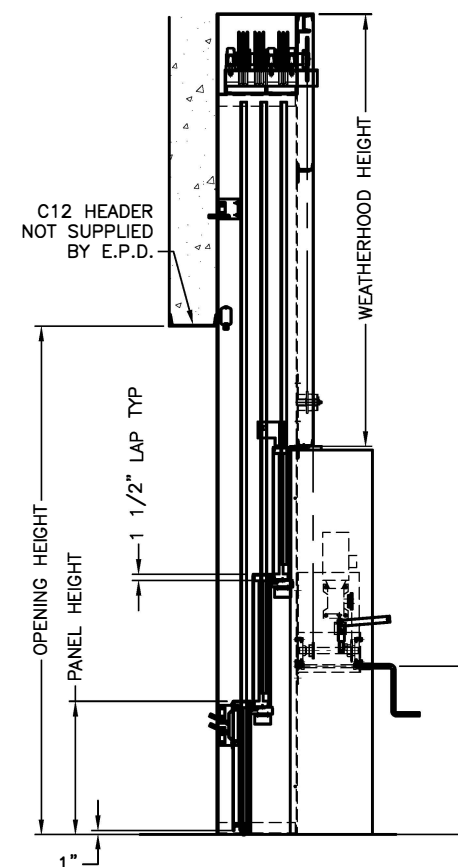
THE DRAWING IS LOANED WITH THE EXPRESSED AGREEMENT THAT THE DRAWING AND INFORMATION THEREIN CONTAINED ARE THE PROPERTY OF ELECTRIC POWER DOOR AND WILL NOT BE REPRODUCED OR COPIED IN WHOLE OR IN PART NOR USED FOR THE FABRICATION OR CONSTRUCTION OF MATERIALS EXCEPT UPON THE WRITTEN PERMISSION OF ELECTRIC POWER DOOR FIRST OBTAINED AND SPECIFIC AS TO USE. THE ACCEPTANCE OF THIS DRAWING WILL BE CONSTRUED AS THE ACCEPTANCE OF THE FOREGOING AGREEMENT.

THIS DRAWING CONTAINS FIELD INSTALLED PARTS & INSTALLATION DETAILS

LEVEL = AA
 WORK CENTER = 100
 OPERATION = 600

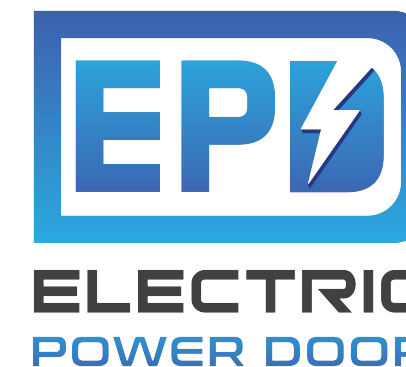


FOUR LEAF VERTICAL LIFT DOOR
 EXTERIOR ELEVATION
 SHOWN W/O WEATHERHOOD



- NOTE:
1. ALL STEEL SURFACES CAN BE PRIMED OR PRIMED AND FINISH PAINTED PER THE CUSTOMER SPECS.
 2. LOCATION, MOUNTING, AND FIELD WIRING OF ALL ELECTRICAL CONTROLS, INCLUDING THE SUPPLY AND INSTALLATION OF ALL NECESSARY CONDUIT AND JUNCTION BOXES, IS NOT BY ELECTRIC POWER DOOR.
 3. PANEL THICKNESS AND CWT TOWER SIZING DEPEND UPON THE OPENING SIZE AND LOADING REQUIREMENTS

FOR PROJECT SPECIFIC DIMENSIONS, PLEASE CONSULT THE FACTORY



522 West 27th Street, Hibbing, Minnesota 55746
 (218)263-8366