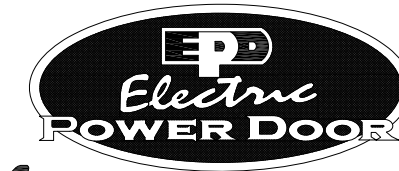


LIMIT UNLESS OTHERWISE NOTED
 FRACT.±1/16" DEC.DIM.±.010 ANGULAR±1°



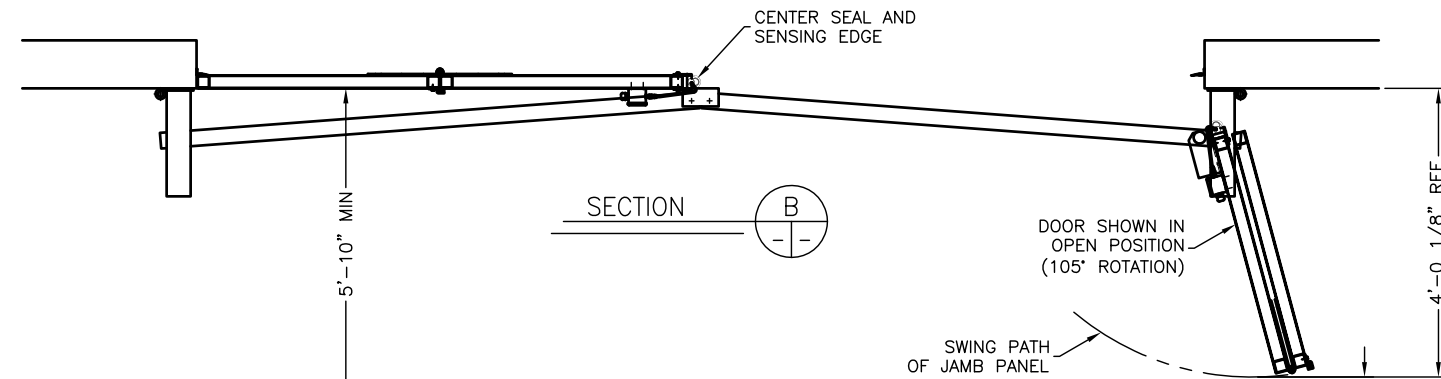
Engineering in motion

522 West 27th Street, Hibbing, Minnesota 55746
 (218)263-8366

THE DRAWING IS LOANED WITH THE EXPRESSED AGREEMENT THAT THE DRAWING AND INFORMATION THEREIN CONTAINED ARE THE PROPERTY OF ELECTRIC POWER DOOR AND WILL NOT BE REPRODUCED OR COPIED IN WHOLE OR IN PART NOR USED FOR THE FABRICATION OR CONSTRUCTION OF MATERIALS EXCEPT UPON THE WRITTEN PERMISSION OF ELECTRIC POWER DOOR FIRST OBTAINED AND SPECIFIC AS TO USE. THE ACCEPTANCE OF THIS DRAWING WILL BE CONSTRUED AS THE ACCEPTANCE OF THE FOREGOING AGREEMENT.

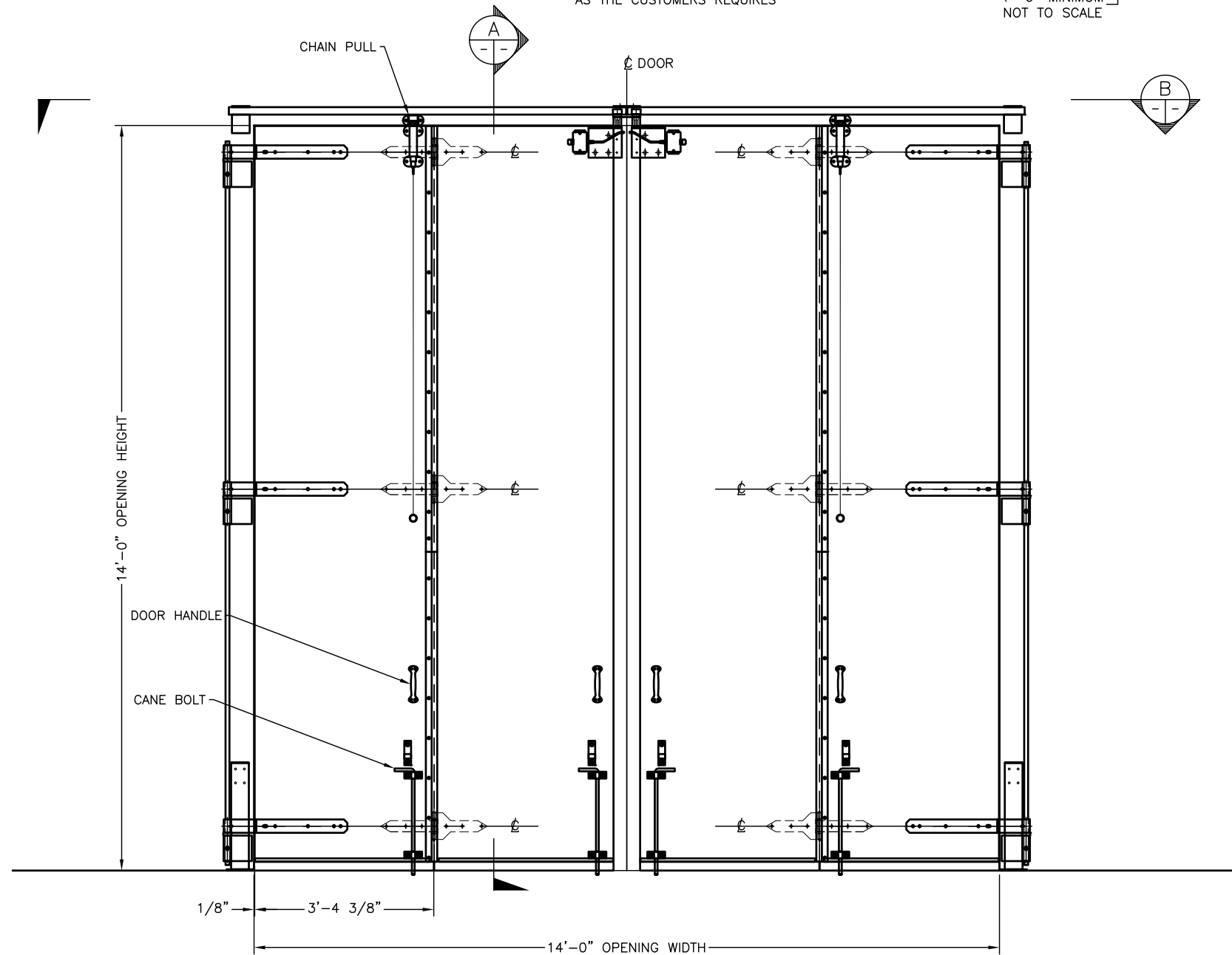
THIS DRAWING CONTAINS FIELD INSTALLED PARTS & INSTALLATION DETAILS

- NOTE:
1. ALL STEEL SURFACES CAN BE PRIMED OR PRIMED AND FINISH PAINTED PER THE CUSTOMER SPECS.
 - 2.
 3. MODEL 46 DOORS ARE FLAT SHEETED.
 4. GUIDE TRACK WILL BE C-SHAPED OR S-BEAM STYLE DEPENDING ON THE SIZE AND WEIGHT OF THE DOOR.
 5. STANDARD SHEETING THICKNESS IS 14 GA BUT OTHER OPTIONS ARE AVAILABLE

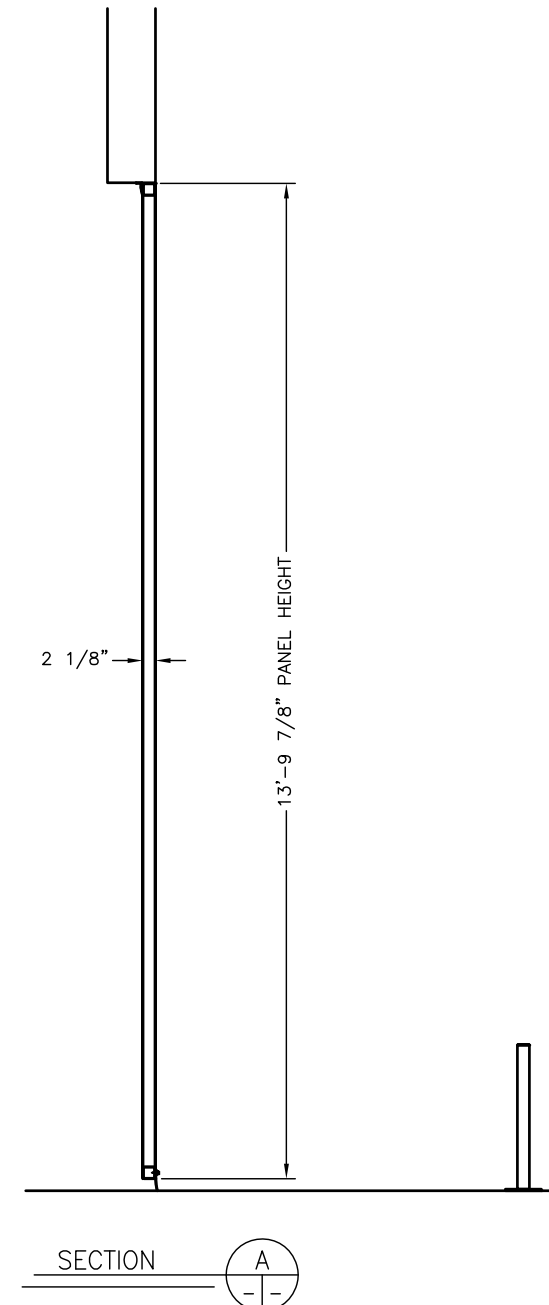


NOTE: WINDOWS, LOUVERS ETC. CAN BE INSTALLED AS THE CUSTOMERS REQUIRES

1'-6" MINIMUM
 NOT TO SCALE



HYDRAULIC FOUR FOLD DOOR
 INTERIOR ELEVATION



SECTION A